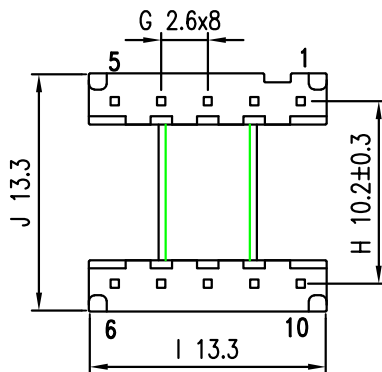
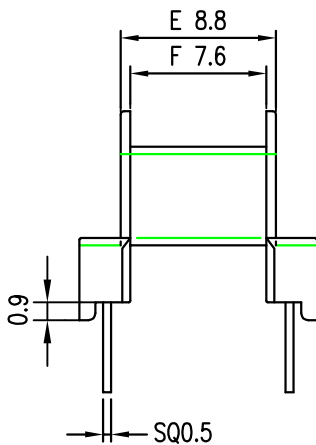
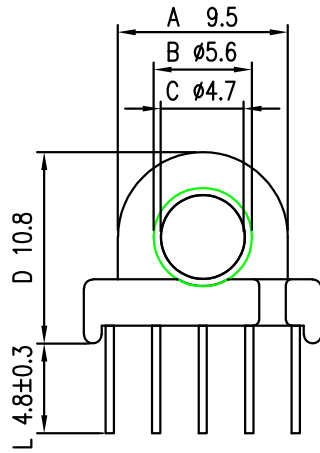




TPI NO.: 1701301



DATE	REVISED STORY	MODEL : EP-13-10PIN-1SEC (TPI NO. : 1701301)		
6/01'02	RELEASED THE NEW DRAWING SPEC.	BOBBIN MATERIAL : PHENOLIC RESIN UL94V-0		
8/01'20	REMOVE CLAMP	PIN MATERIAL : CP WIRE (TIN PLATED)		
		DATE : Aug 01,2020	REV.: B	TOLERANCE : .XXX ± 0.08 .XX ± 0.1 .X ± 0.2