

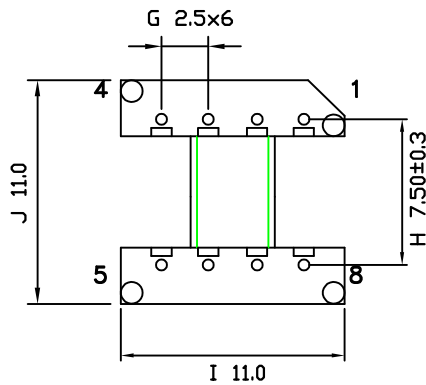
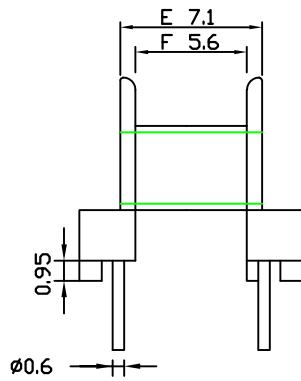
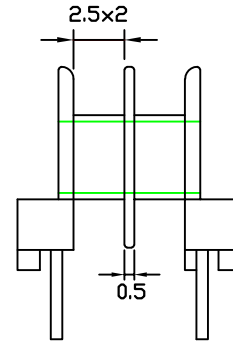
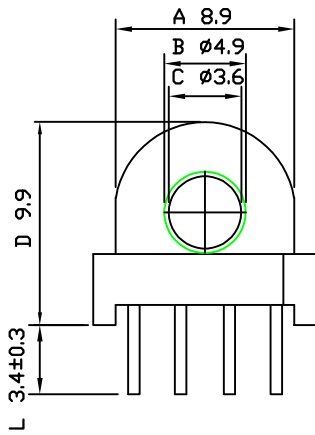


台灣高分子工業股份有限公司  
TAIWAN POLYMER INDUSTRIAL CO., LTD.

PRODUCT SPEC.

TPI NO.: 1701002

TPI NO.: 1701003



DATE	REVISED STORY	MODEL : EP 10-8PIN-1SEC (TPI NO.: 1701002) EP 10-8PIN-2SEC (TPI NO.: 1701003)	
6/01'02	RELEASED THE NEW DRAWING SPEC.	BOBBIN MATERIAL : PHENOLIC RESIN UL94V-0 PIN MATERIAL : CP WIRE (TIN PLATED)	
8/01'20	REMOVE CLAMP		
		DATE : Aug 01,2020	REV. : B
		TOLERANCE : .XXX $\pm 0.08$ .XX $\pm 0.1$ .X $\pm 0.2$	