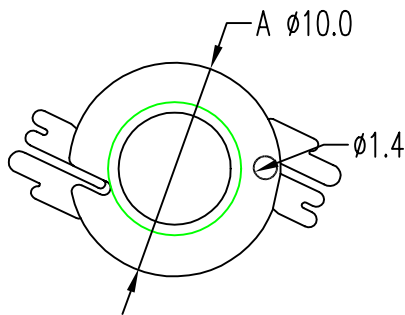
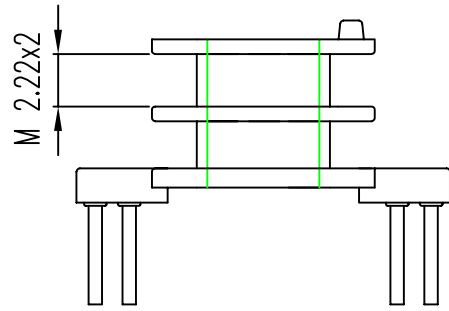




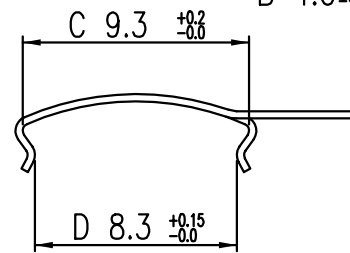
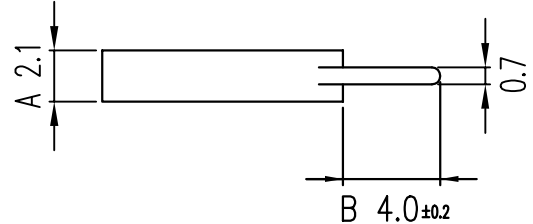
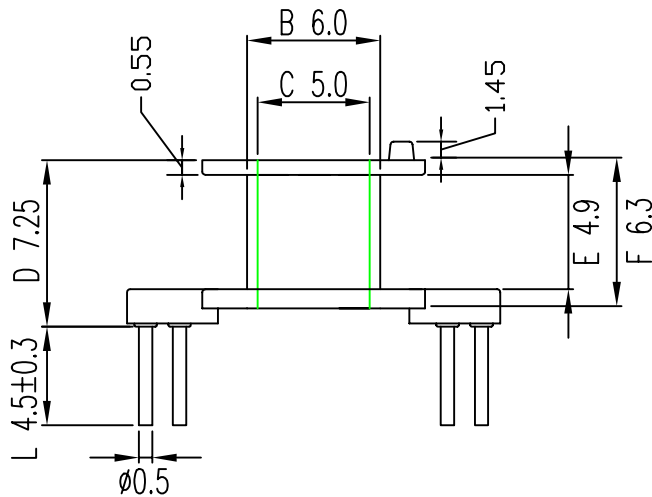
TPI NO.:1505004



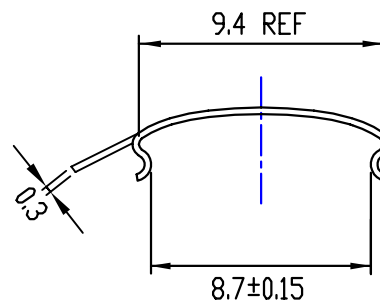
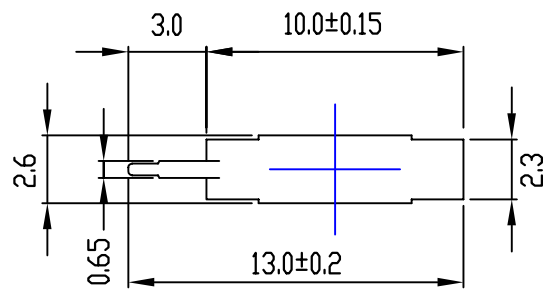
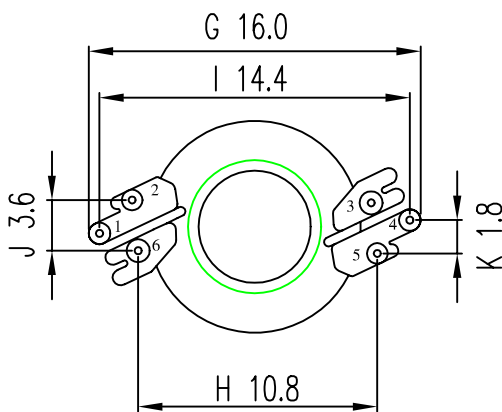
TPI NO.:1505005



TPI NO. : 1505001



TPI NO.: 1505001-S



DATE	REVISED STORY	MODEL : RM 5-6PIN-1SEC (TPI NO.:1505004) RM 5-6PIN-2SEC (TPI NO.:1505005) RM 5-CLIP (TPI NO.:1505001) RM 5-CLIP (TPI NO.:1505001-S)		
6/01'02	RELEASED THE NEW DRAWING SPEC.	BOBBIN MATERIAL: PHENOLIC RESIN UL94V-0 PIN MATERIAL: CP WIRE (TIN PLATED) CLIP MATERIAL: SK7 0.3T		
		DATE : June 01,2002	REV. : A	TOLERANCE : .XXX $\pm$ 0.08 .XX $\pm$ 0.1 .X $\pm$ 0.2