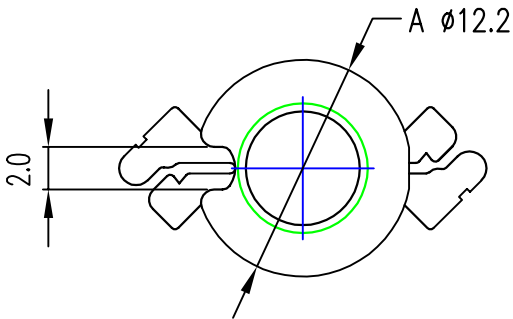
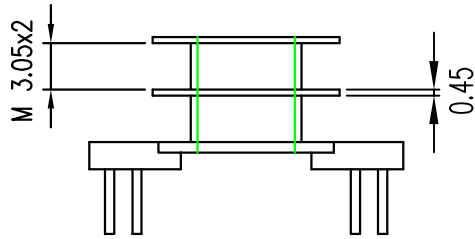




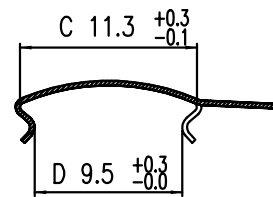
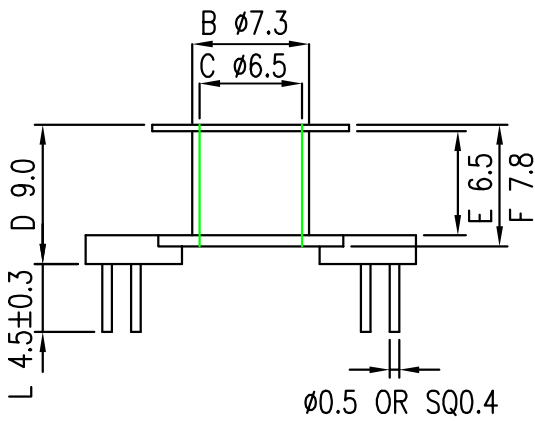
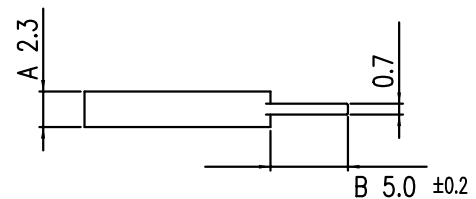
TPI NO. : 1506002



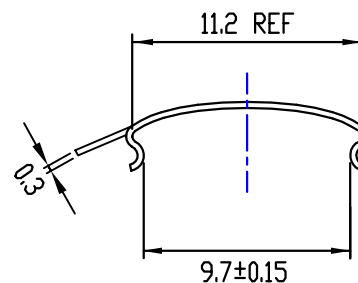
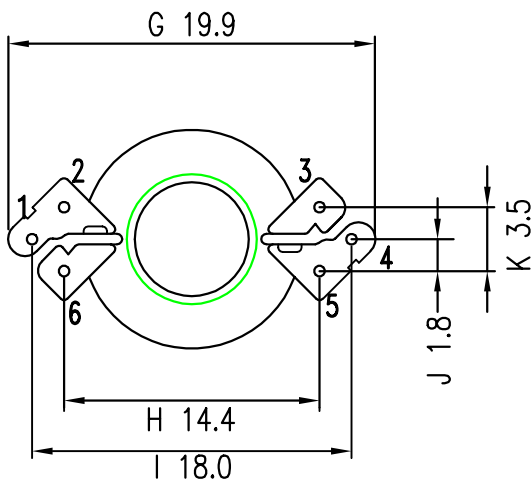
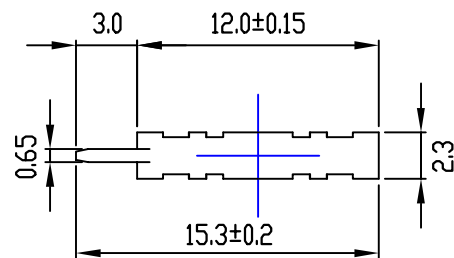
TPI NO. : 1506003



TPI NO. : 1506001



TPI NO.: 1506001-S



DATE	REVISED STORY	MODEL :	BOBBIN MATERIAL :	PIN MATERIAL :	CLAMP MATERIAL :	DATE :	REV. :	TOLERANCE :
6/01'02	RELEASED THE NEW DRAWING SPEC.	RM 6-6PIN-1SEC (TPI NO.:1506002) RM 6-6PIN-2SEC (TPI NO.:1506003) RM 6-CLAMP (TPI NO.:1506001) RM 6-CLAMP (TPI NO.:1506001-S)	PHENOLIC RESIN UL94V-0	CP WIRE (TIN PLATED)	SK7 0.3t	June 01,2002	A	.XXX ± 0.08 .XX ± 0.1 .X ± 0.2