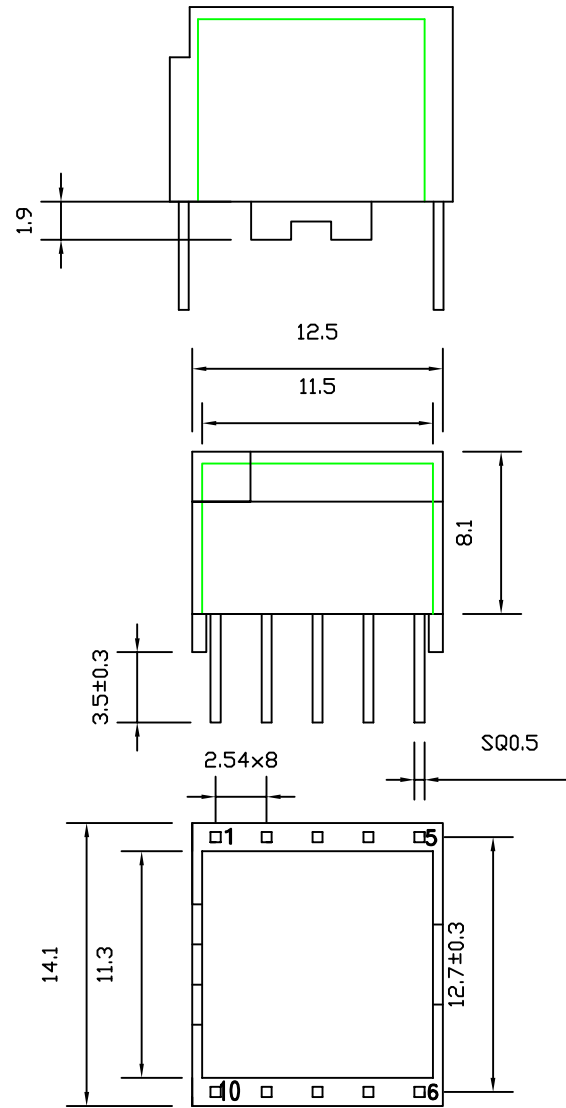
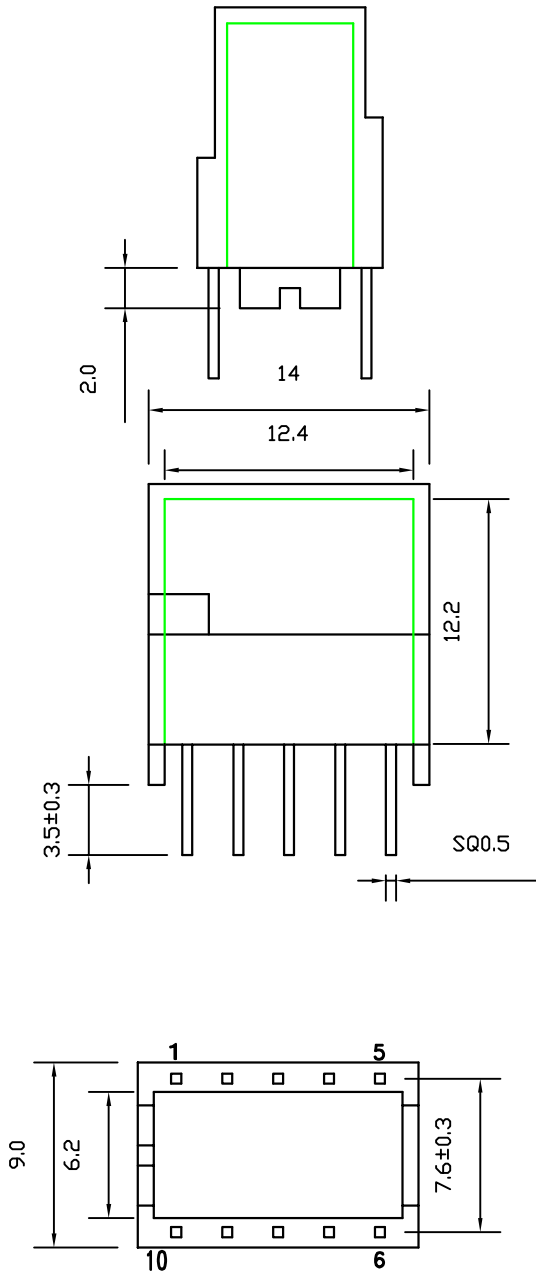




TPI NO.: 1810002

TPI NO.: 1810003



DATE	REVISED STORY	MODEL : CASE 2 (TPI NO. : 1810002) CASE 3 (TPI NO. : 1810003)	
		BOBBIN MATERIAL : N46 UL94V-0 PIN MATERIAL : CP WIRE (TIN PLATED)	
		DATE : Jun 30,2020	REV.: A
		TOLERANCE : .XXX±0.08 .XX ±0.1 .X ±0.2	