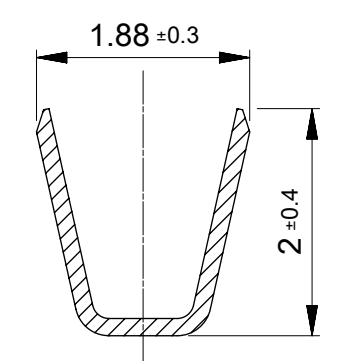
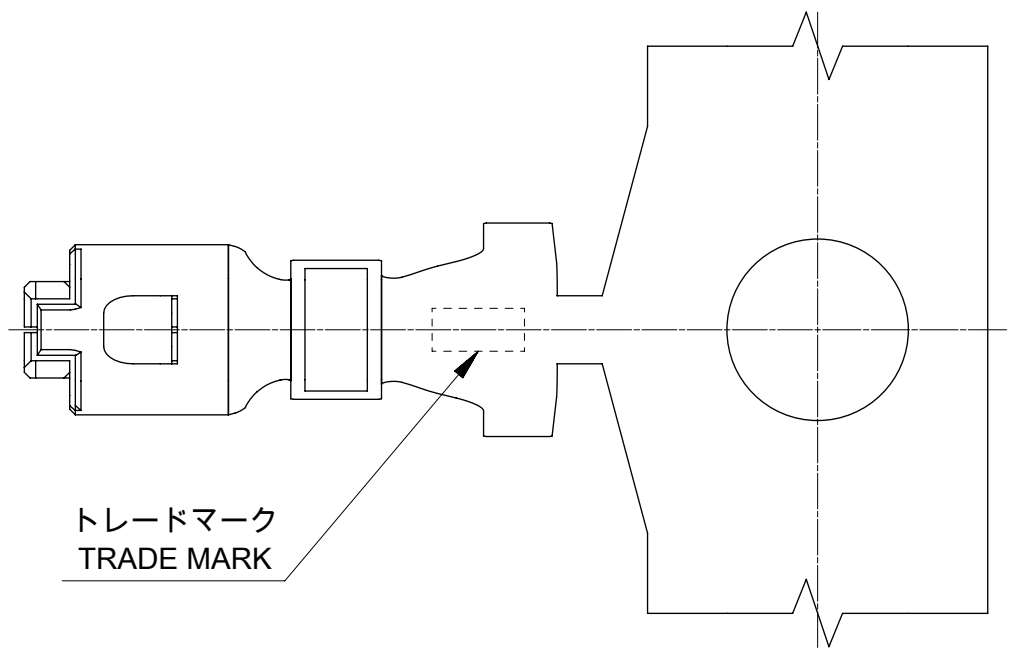


SECTION Z-Z



SECTION Y-Y



トレードマーク
TRADE MARK

NOTES

- 1 材料及び仕上げ（めっき仕様）：TABLE 1 参考
MATERIAL AND FINISHES : SEE TABLE 1
- 2 適合製品及び各種仕様書はSHEET 2 をご参照ください。
PLEASE REFER TO SHEET 2 FOR APPLICABLE PRODUCTS AND VARIOUS SPECIFICATIONS.
- 3. 本製品は金めっき品です。錫めっき品は502120000-SD/PSD/000と503720000-SD/PSD/000をご参照ください。
THIS PRODUCT IS A GOLD PLATING.
PLEASE REFER TO 502120000-SD/PSD/000 AND 503720000-SD/PSD/000 FOR TIN PLATING.

∅0.85 - ∅1.4	AWG#24-28	リール REEL	593548081	連鎖状 CHAIN
絶縁被覆外径範囲 INS RANGE	適用電線範囲 WIRE RANGE	梱包形態 PACKAGING	発注番号 ORDER NO	端子形状 FORM

1 TABLE 1

部品 PART	材質 MATERIAL
母材 MATERIAL	りん青銅 PHOSPHOR BRONZE
接点部 CONTACT	金めっき : 0.1 micro-meter MIN GOLD: 0.1 micro-meter MIN
下地めっき UNDER PLATING	ニッケルめっき : 0.5 micro-meter MIN NICKEL : 0.5 micro-meter MIN

THIS DRAWING CONTAINS INFORMATION THAT IS PROPRIETARY TO MOLEX ELECTRONIC TECHNOLOGIES, LLC AND SHOULD NOT BE USED WITHOUT WRITTEN PERMISSION

DIMENSION UNITS	SCALE	CURRENT REV DESC: REVISED		molex		
mm	NTS					
GENERAL TOLERANCES (UNLESS SPECIFIED)		EC NO: 660008		MICRO-LATCH 2.0 GOLD RECEPTACLE CRIMP TERMINAL		
ANGULAR TOL ± 3.0 °		DRWN: HHUSSIN 2021/04/06				
4 PLACES ± 0.2		CHK'D: SAKIYAMA 2021/06/02		PRODUCT CUSTOMER DRAWING		
3 PLACES ± 0.2		APPR: KOMURAKAMI 2021/06/02				
2 PLACES ± 0.2		INITIAL REVISION:		DOCUMENT NUMBER		
1 PLACE ± 0.2		DRWN: HHUSSIN 2020/03/11				
0 PLACES ± 0.2		APPR: KOMURAKAMI 2021/04/06		DOC TYPE DOC PART REVISION		
DRAFT WHERE APPLICABLE MUST REMAIN WITHIN DIMENSIONS		THIRD ANGLE PROJECTION				
		DRAWING SERIES		MATERIAL NUMBER CUSTOMER SHEET NUMBER		
		A3-SIZE 59354				

△ 2 適合製品及び各種仕様書

APPLICABLE PRODUCTS AND VARIOUS SPECIFICATIONS

梱包仕様書 PACKING SPECIFICATION	PART NUMBER	SPECIFICATION NUMBER
	593548081	593549200-SPK

適合ハウジング APPLICABLE HOUSING	SINGLE TYPE
シリーズ番号 SERIES NO	51065
適合嵌合相手 MATE WITH	THROUGH HOLE
	GOLD PLATING
	VERTICAL
シリーズ番号 SERIES NO	502603
製品仕様書 PRODUCT SPECIFICATION	510650001-PS/PS/000

製品嵌合図は"適合嵌合相手"図面参照のこと
MATING VIEW : REFER TO "MATE WITH" PART DRAWING

THIS DRAWING CONTAINS INFORMATION THAT IS PROPRIETARY TO MOLEX ELECTRONIC TECHNOLOGIES, LLC AND SHOULD NOT BE USED WITHOUT WRITTEN PERMISSION									
DIMENSION UNITS	SCALE	CURRENT REV DESC: REVISED				molex			
mm	NTS								
GENERAL TOLERANCES (UNLESS SPECIFIED)		EC NO: 660008 DRWN: HHUSSIN 2021/04/06 CHK'D: SAKIYAMA 2021/06/02 APPR: KOMURAKAMI 2021/06/02 INITIAL REVISION: DRWN: HHUSSIN 2020/03/11 APPR: KOMURAKAMI 2021/04/06				MICRO-LATCH 2.0 GOLD RECEPTACLE CRIMP TERMINAL			
ANGULAR TOL	± 3.0 °					PRODUCT CUSTOMER DRAWING			
4 PLACES	± 0.2					DOCUMENT NUMBER			
3 PLACES	± 0.2					593540000-SD			
2 PLACES	± 0.2					DOC TYPE			
1 PLACE	± 0.2					PSD			
0 PLACES	± 0.2	DOC PART							
DRAFT WHERE APPLICABLE MUST REMAIN WITHIN DIMENSIONS		THIRD ANGLE PROJECTION		DRAWING	SERIES	MATERIAL NUMBER	CUSTOMER	REVISION	
				A3-SIZE	59354	SEE CHART	GENERAL	000	B
DOCUMENT STATUS		P1	RELEASE DATE	2021/06/02	04:00:46	SHEET NUMBER		2 OF 2	