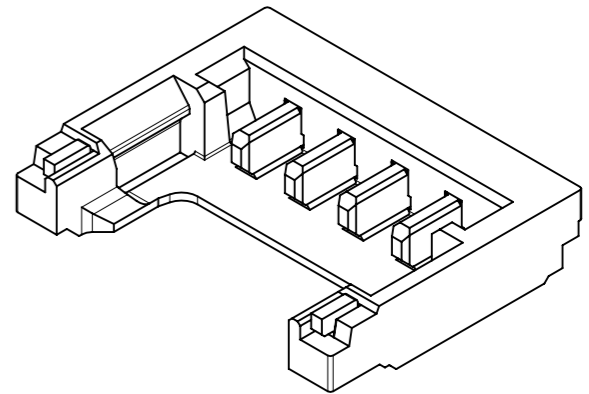
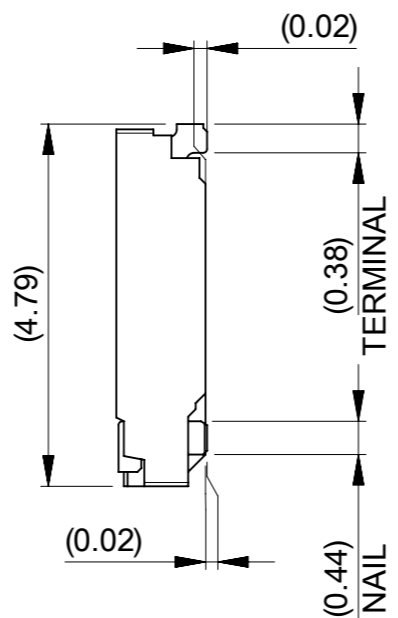
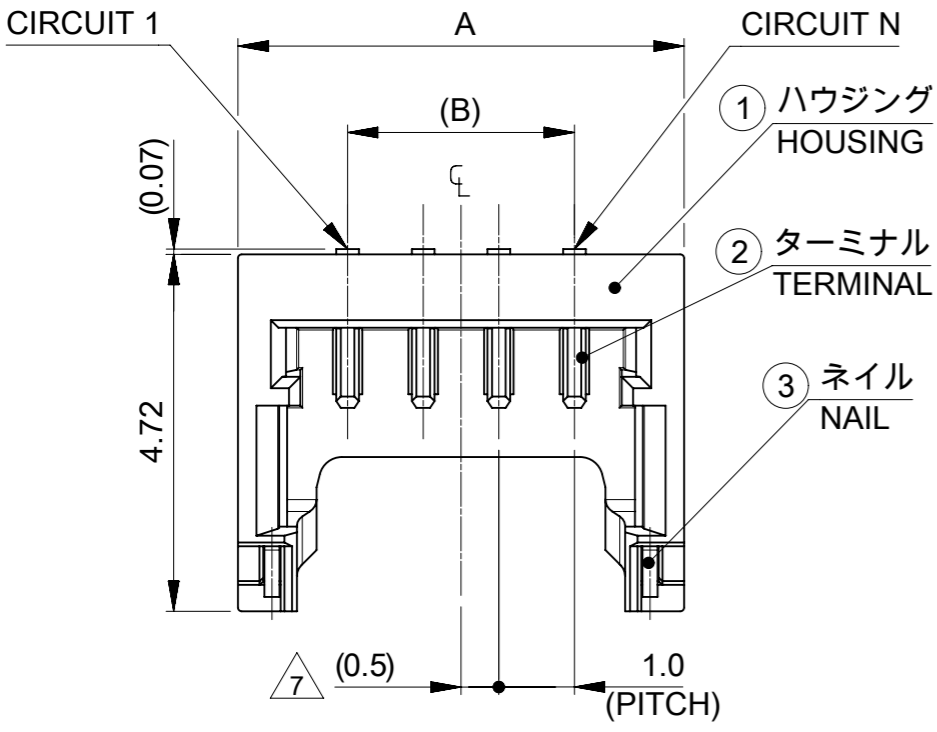


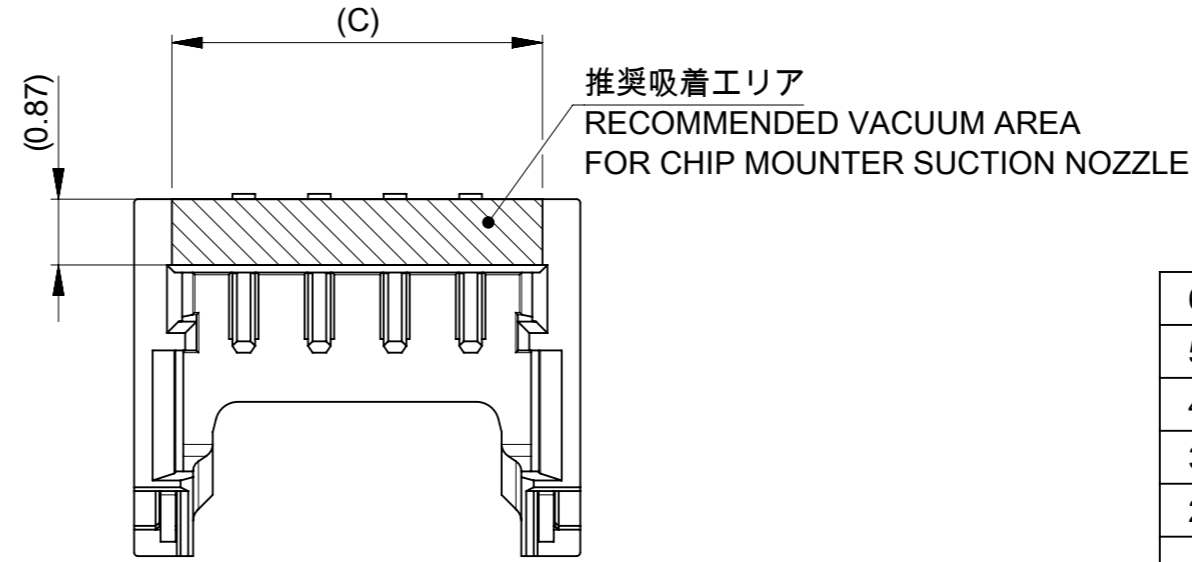
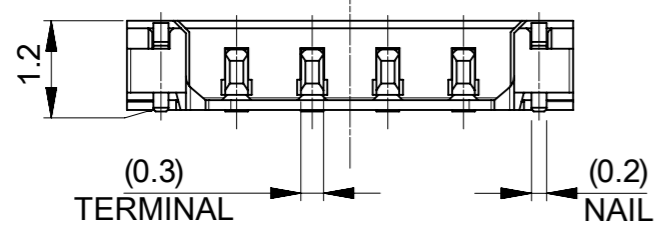
キャビティ&金型番号  
CAV&MOLD No

トレードマーク  
TRADE MARK



注記  
NOTES

- 1 材料および仕上げ(めっき仕様)  
MATERIAL AND FINISHES: SEE TABLE 1
- 2. 製品仕様書 : 2121320000-PS/PS /000  
PRODUCT SPECIFICATION: 2121320000-PS/PS/000
- 3. 梱包形態 SHEET 3 参照  
PACKAGING INFORMATION : SEE SHEET 3
- 4. 嵌合相手 : 212132シリーズ  
MATE WITH:212132 SERIES
- 5. アプリケーション仕様書(コネクタ取扱い説明書) : 2166940000-AS/PS/000  
APPLICATION SPECIFICATION(CONNECTOR MANUAL) : 2166940000-AS/PS/000
- 6. 端子テール部及びネイルの平坦度:0.1 MAX.  
TAIL AND NAIL COPLANARITY TO BE 0.1 MAX.
- 7 極数 = 偶数に適用  
APPLY FOR CIRCUIT SIZE = EVEN



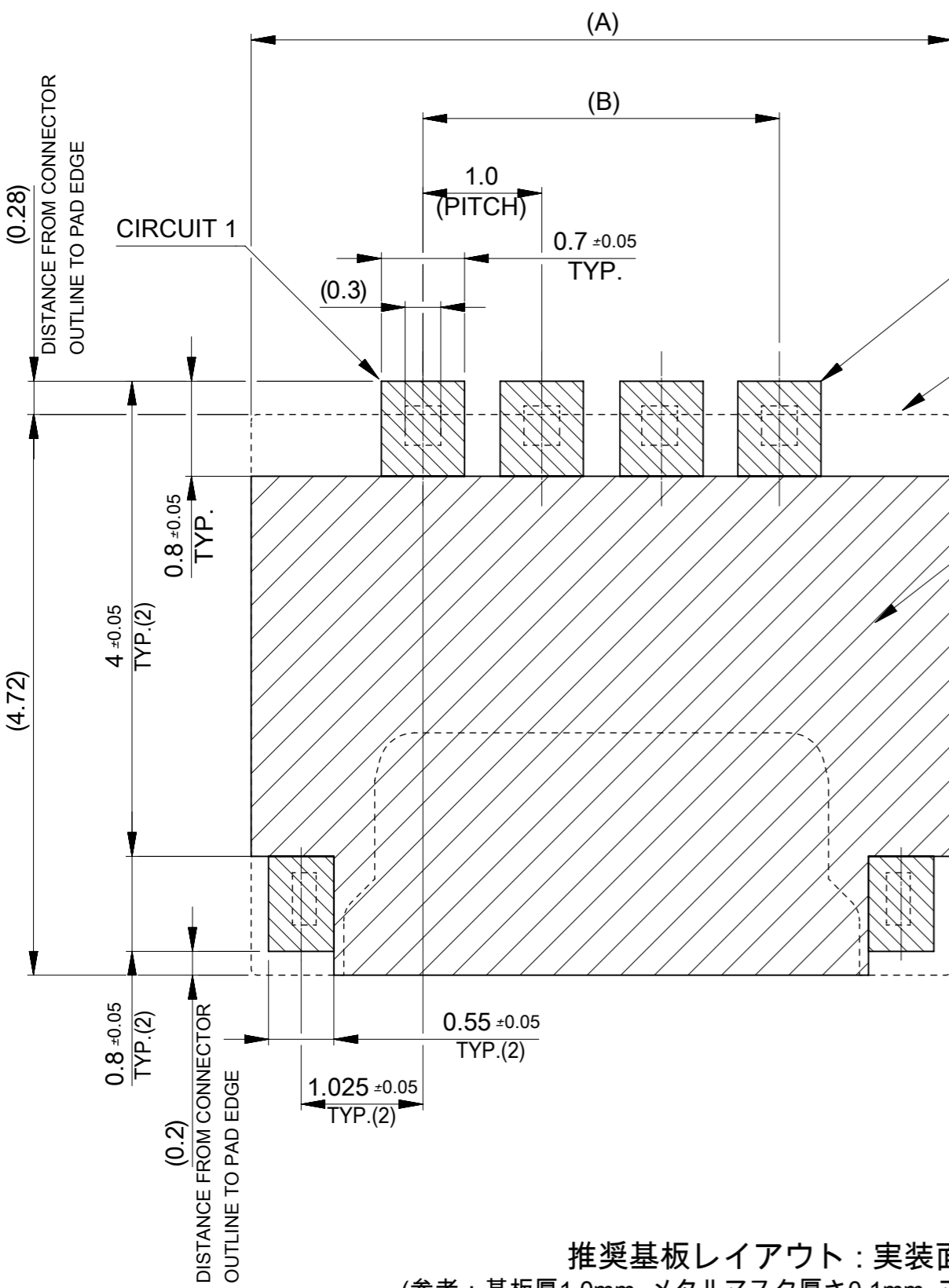
1 TABLE 1

番号 NO.	部品 PART	材質 MATERIAL	
1	ハウジング HOUSING	ポリアミド(PA)ガラス入り, UL94V-0, 色 : 黒 POLYAMIDE(PA) GLASS FILLED, UL94V-0, COLOR : BLACK	
2	ターミナル TERMINAL	銅合金 COPPER ALLOY	
		下地めっき UNDER PLATING	ニッケルめっき(下地) : 1.0 micro-meters MIN NICKEL (UNDER PLATING)
		接点部 CONTACT	金めっき : 0.1 micro-meters MIN GOLD PLATING
3	ネイル NAIL	テール TAIL	金めっき GOLD PLATING
		黄銅 BRASS	
		下地めっき UNDER PLATING	ニッケルめっき(下地) : 1.0 micro-meters MIN NICKEL (UNDER PLATING)
	めっき PLATING	錫めっき : 1.0 micro-meters MIN MATTE TIN PLATING	

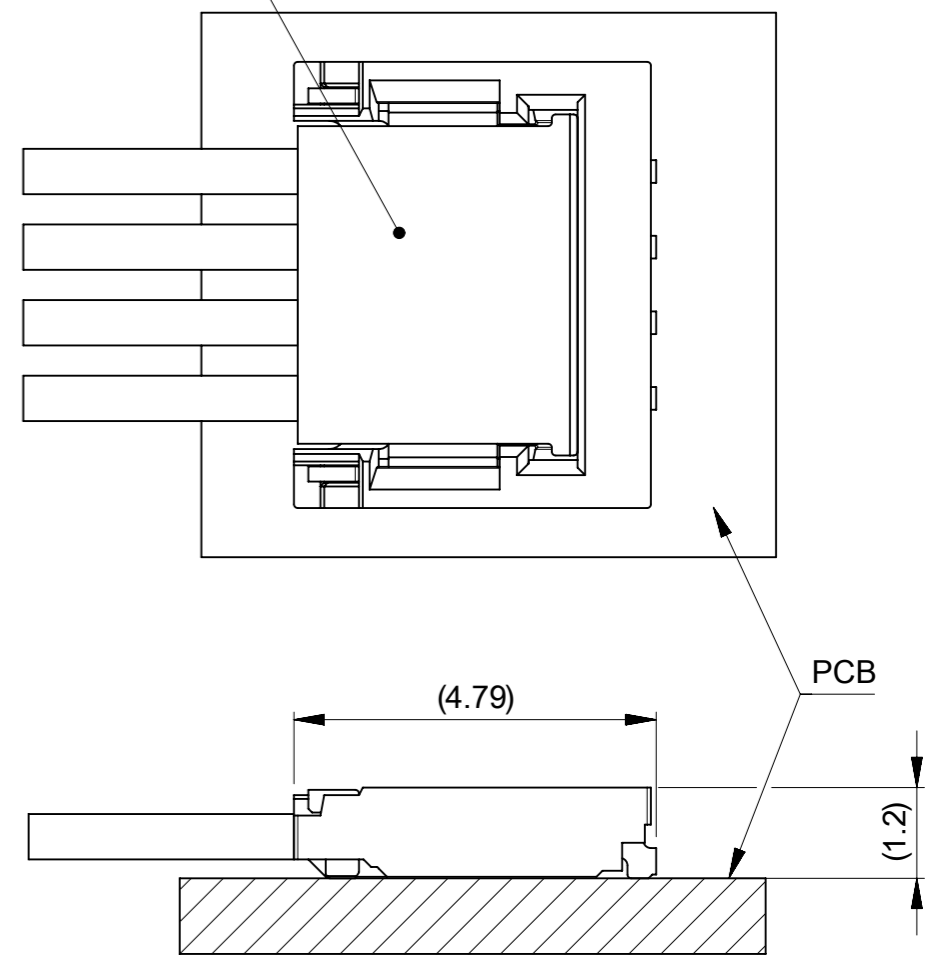
6.9	5	7.9	6
5.9	4	6.9	5
4.9	3	5.9	4
3.9	2	4.9	3
2.9	1	3.9	2
C	B	A	極数 CIRCUIT SIZE

THIS DRAWING CONTAINS INFORMATION THAT IS PROPRIETARY TO MOLEX ELECTRONIC TECHNOLOGIES, LLC AND SHOULD NOT BE USED WITHOUT WRITTEN PERMISSION

DIMENSION UNITS mm	SCALE NTS	CURRENT REV DESC:		<b>molex</b>			
GENERAL TOLERANCES (UNLESS SPECIFIED)		EC NO: 643659					
ANGULAR TOL	± 3.0 °	DRWN: SNAKAMURA08 2019/03/18		PRODUCT CUSTOMER DRAWING			
4 PLACES	± 0.2	CHK'D: SAKIYAMA 2020/09/17		DOCUMENT NUMBER			
3 PLACES	± 0.2	APPR: KOMURAKAMI 2020/09/17		2121340000-SD			
2 PLACES	± 0.2	INITIAL REVISION:		DOC TYPE DOC PART REVISION			
1 PLACE	± 0.2	DRWN: SNAKAMURA08 2019/03/18		PSD 000 A			
0 PLACES	± 0.2	APPR: KOMURAKAMI 2020/09/17		SHEET NUMBER			
DRAFT WHERE APPLICABLE MUST REMAIN WITHIN DIMENSIONS		THIRD ANGLE PROJECTION	DRAWING	SERIES	MATERIAL NUMBER	CUSTOMER	
			A3-SIZE	212134	SEE SHEET 3	GENERAL	1 OF 3



嵌合相手 : 212132 シリーズ  
MATE WITH 212132 SERIES

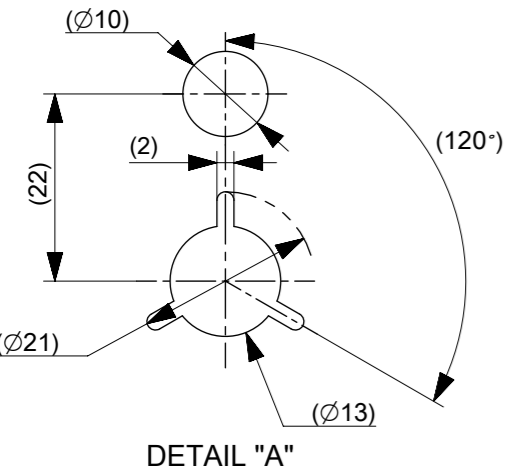
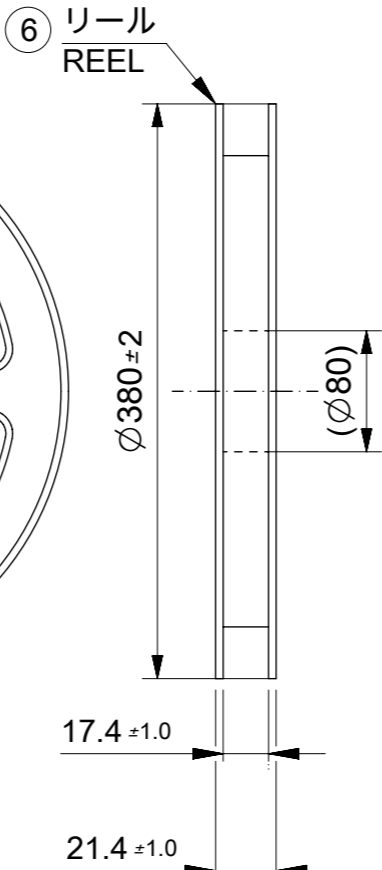
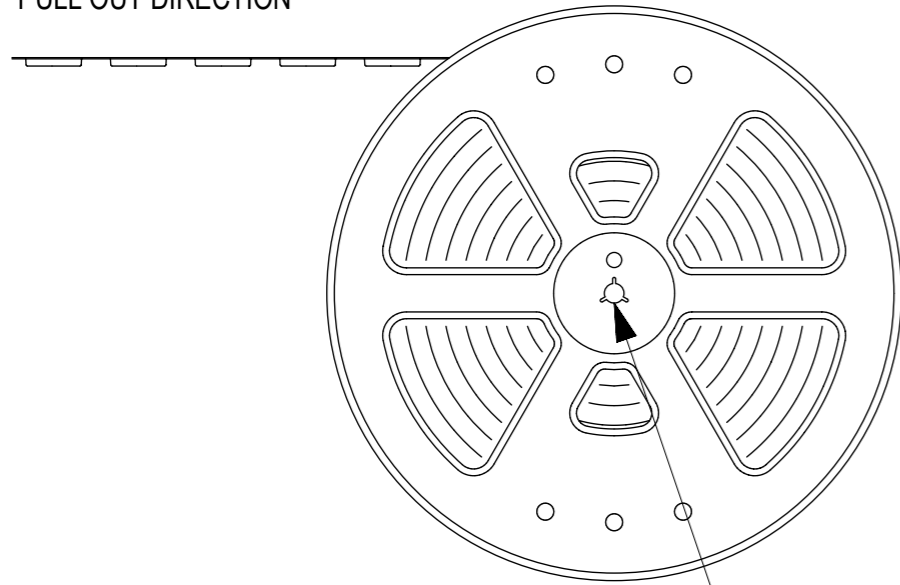


嵌合図  
MATED CONNECTORS

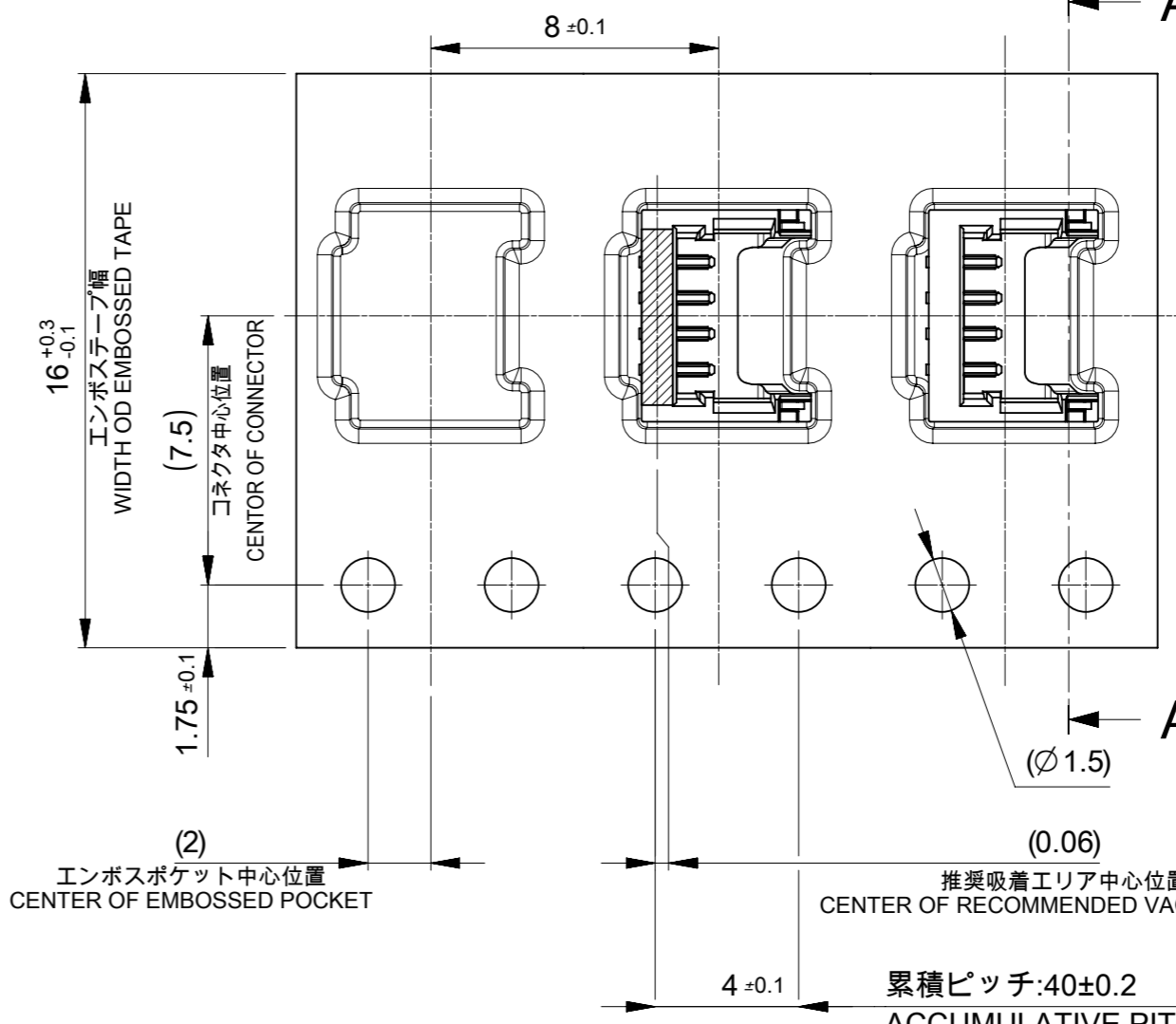
推奨基板レイアウト : 実装面側  
(参考 : 基板厚1.0mm, メタルマスク厚さ0.1mm, マスク開口率100%)  
POLARIZED RECOMMENDED PCB LAYOUT : COMPONENT SIDE  
(REFERENCE: PCB THICKNESS 1.0mm, STENCIL THICKNESS 0.1mm, APERTURE RATIO 100%)

THIS DRAWING CONTAINS INFORMATION THAT IS PROPRIETARY TO MOLEX ELECTRONIC TECHNOLOGIES, LLC AND SHOULD NOT BE USED WITHOUT WRITTEN PERMISSION		CURRENT REV DESC:		<b>molex</b>	
DIMENSION UNITS	SCALE				
mm	NTS			PICO-EZMATE PLUS 1.0 W/B PLUG ASSEMBLY FOR GENERAL	
GENERAL TOLERANCES (UNLESS SPECIFIED)				PRODUCT CUSTOMER DRAWING	
ANGULAR TOL	± 3.0 °			DOCUMENT NUMBER	
4 PLACES	± 0.2	EC NO: 643659		2121340000-SD	
3 PLACES	± 0.2	DRWN: SNAKAMURA08 2019/03/18		DOC TYPE	
2 PLACES	± 0.2	CHK'D: SAKIYAMA 2020/09/17		PSD	
1 PLACE	± 0.2	APPR: KOMURAKAMI 2020/09/17		DOC PART	
0 PLACES	± 0.2	INITIAL REVISION:		000	
DRAFT WHERE APPLICABLE MUST REMAIN WITHIN DIMENSIONS		DRWN: SNAKAMURA08 2019/03/18		REVISION	
THIRD ANGLE PROJECTION		APPR: KOMURAKAMI 2020/09/17		A	
DRAWING		SERIES		SHEET NUMBER	
A3-SIZE		212134		2 OF 3	
MATERIAL NUMBER		CUSTOMER			
SEE SHEET 3		GENERAL			

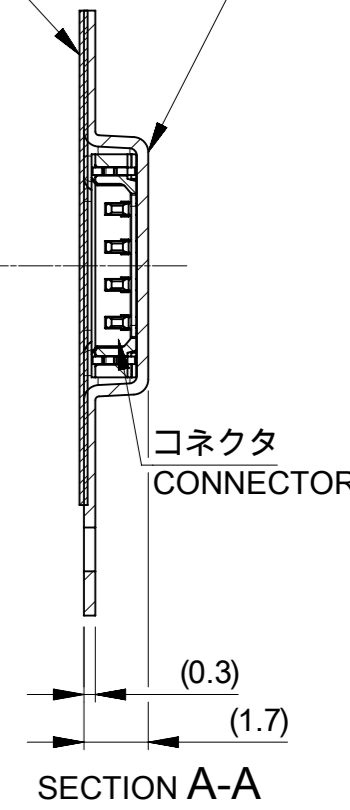
引き出し方向  
PULL OUT DIRECTION



引き出し方向  
PULL OUT DIRECTION



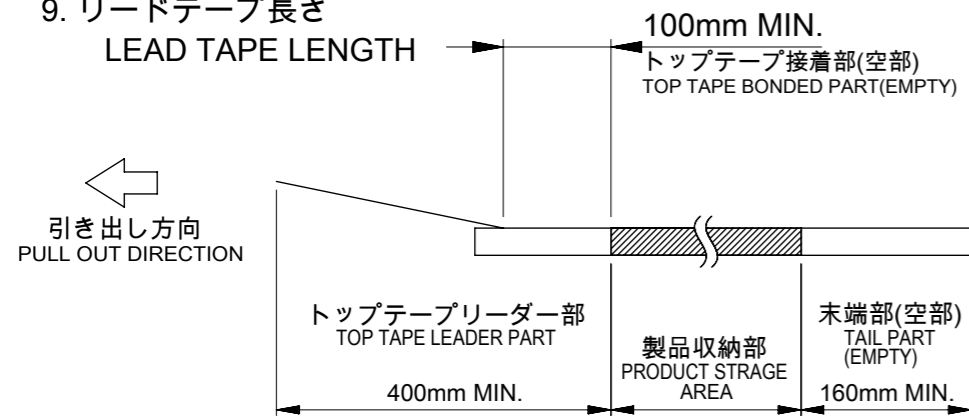
⑤ トップテープ  
TOP TAPE  
④ エンボステープ  
EMBOSSED TAPE



NOTES

- 8. 梱包数量 : 7000個/リール  
NUMBER OF CONNECTORS : 7000 PIECES/REEL
- 9. リードテープ長さ  
LEAD TAPE LENGTH

- 10. トップテープの剥離強度はIEC60286-3に準拠。  
TOP TAPE PEELING FORCE IS DEFINED BY IEC60286-3.
- 11. 梱包仕様書 : 2121349200-SPK/PS/000  
PACKAGING SPECIFICATION : 2121349200-SPK/PS/000



発注番号 ORDER No.	
2121340006	6
2121340005	5
2121340004	4
2121340003	3
2121340002	2
梱包形態 : エンボスリール PACKAGING STYLE : EMBOSSED TAPE AND REEL	極数 CIRCUIT SIZE

番号 NO.	部品 PART	材質 MATERIAL
④	エンボステープ EMBOSSED TAPE	ポリスチレン (PS),その他 POLYSTYRENE(PS), etc
⑤	トップテープ TOP TAPE	ポリエチレン(PE)、その他 POLYETHYLENE(PE), etc
⑥	リール REEL	ポリスチレン(PS) <リサイクル材を含む> POLYSTYRENE(PS) <RECYCLE MATERIAL CONTAINED>

DOCUMENT STATUS	P1	RELEASE DATE	2020/09/17	06:07:18
-----------------	----	--------------	------------	----------

THIS DRAWING CONTAINS INFORMATION THAT IS PROPRIETARY TO MOLEX ELECTRONIC TECHNOLOGIES, LLC AND SHOULD NOT BE USED WITHOUT WRITTEN PERMISSION

DIMENSION UNITS	SCALE	CURRENT REV DESC:		<b>molex</b>	
mm	NTS				
GENERAL TOLERANCES (UNLESS SPECIFIED)		EC NO: 643659		PICO-EZMATE PLUS 1.0 W/B PLUG ASSEMBLY FOR GENERAL	
ANGULAR TOL	± 3.0 °	DRWN: SNAKAMURA08	2019/03/18	PRODUCT CUSTOMER DRAWING	
4 PLACES	± 0.2	CHK'D: SAKIYAMA	2020/09/17	DOCUMENT NUMBER	
3 PLACES	± 0.2	APPR: KOMURAKAMI	2020/09/17	DOC TYPE	
2 PLACES	± 0.2	INITIAL REVISION:		DOC PART	
1 PLACE	± 0.2	DRWN: SNAKAMURA08	2019/03/18	REVISION	
0 PLACES	± 0.2	APPR: KOMURAKAMI	2020/09/17	2121340000-SD	
DRAFT WHERE APPLICABLE MUST REMAIN WITHIN DIMENSIONS		THIRD ANGLE PROJECTION	DRAWING	SERIES	MATERIAL NUMBER
			A3-SIZE	212134	SEE TABLE
				CUSTOMER	GENERAL
					3 OF 3