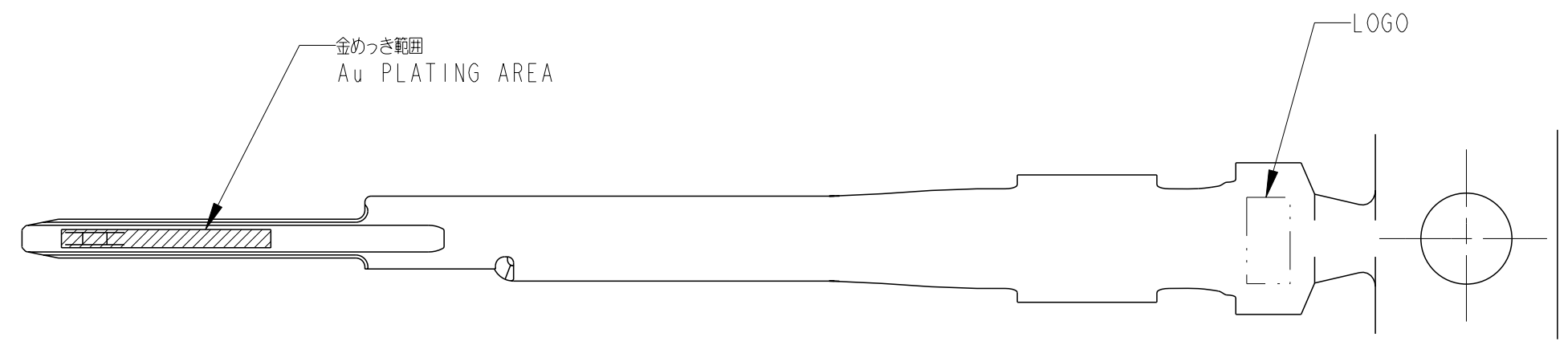
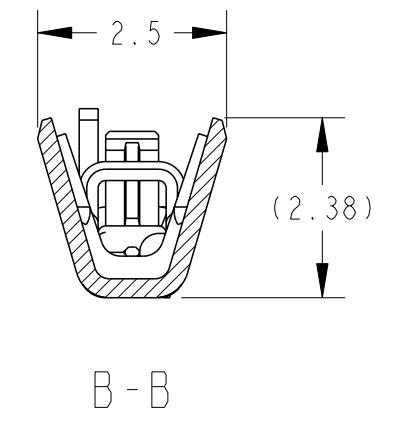
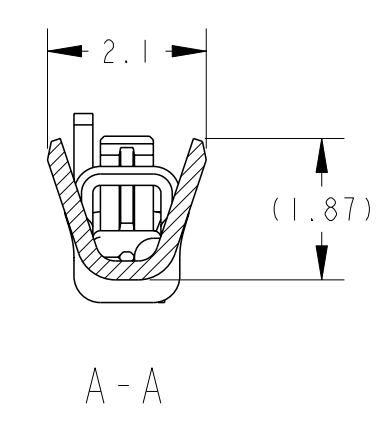
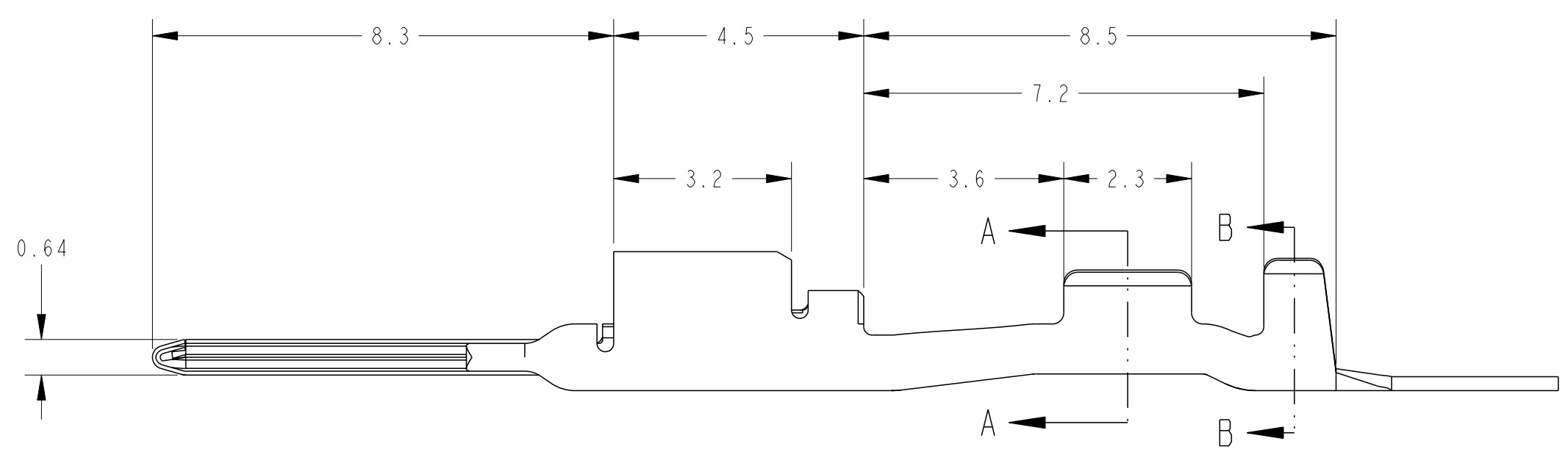
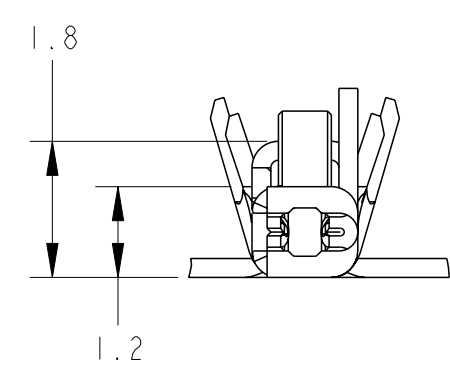
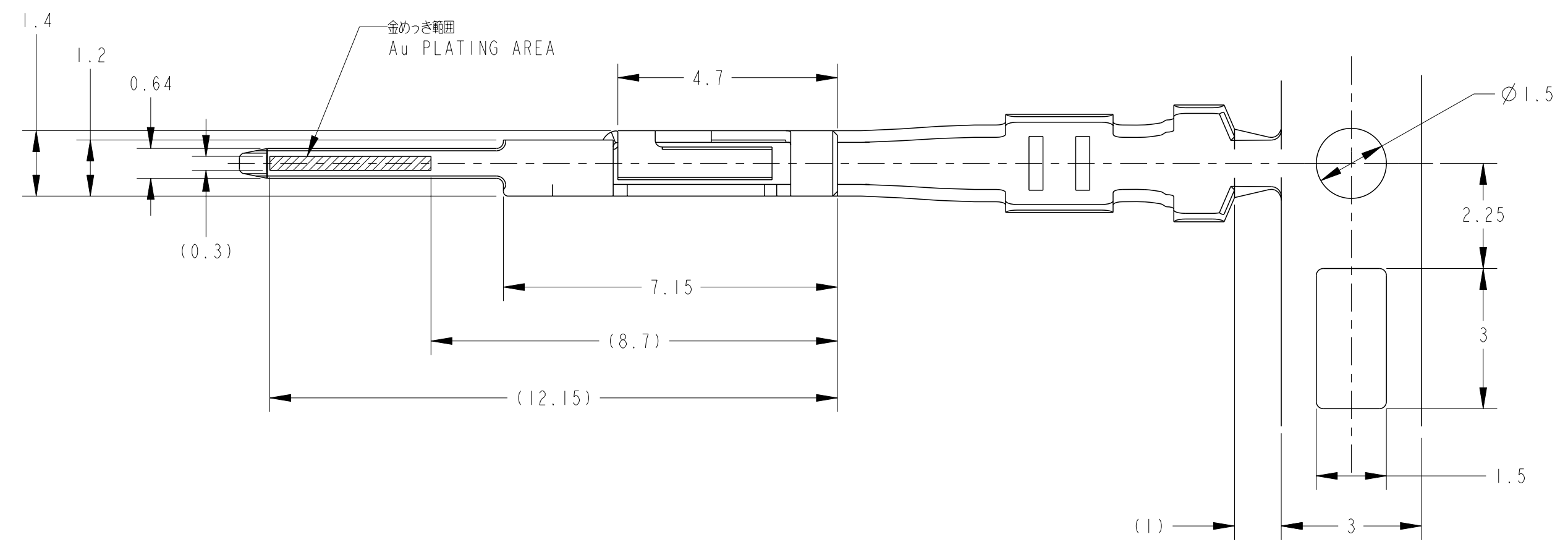


THIS DRAWING IS UNPUBLISHED. RELEASED FOR PUBLICATION 20
 © COPYRIGHT 20 ALL RIGHTS RESERVED.

LOC J
 R1ST

REVISIONS						
P	LTR	DESCRIPTION	ECN	DATE	DWN	APVD
A3		REVISED PER ECO-11-005140		02APR2011	RK	HMR
B		REVISED ECR-15-014555		09OCT2015	AY	RK



- 適用電線; AVSS, AVSSH-f 0.3~0.5mm²
CAVS, CAVUS 0.22~0.5mm²
CHFUS 0.5mm²
HFSS-f 0.5mm²
 - アプリケーション送りピッチ; 7.5mm
 - パラ端子型番;
PRE-TIN; 1376607-1
SELECTIVE GOLD; 1376607-2
1. APPLICABLE WIRE RANGE;
AVSS, AVSSH-f 0.3~0.5mm²
CAVS, CAVUS 0.22~0.5mm²
CHFUS 0.5mm²
HFSS-f 0.5mm²
2. APPLICATOR FEED; 7.5mm
3. P/N OF LOOSE PIECE;
PRE-TIN; 1376607-1
SELECTIVE GOLD; 1376607-2

SELECTIVE GOLD	1376109-2
PRE-TIN	1376109-1
FINISH	PART NO.

WIRE RANGE 総合電線範囲 0.22~0.56mm² INSULATION DIA 被覆外径 Ø0.95~1.7



025 TAB CONTACT

THIS DRAWING IS A CONTROLLED DOCUMENT.		DWN T. KOHNO 09-JUL-04
DIMENSIONS: 単位: 尺 (mm)		CHK N. SAI 09-JUL-04
TOLERANCES UNLESS OTHERWISE SPECIFIED: 公差: ±0.3		APVD K. SHIMIZU 09-JUL-04
0-PLC ±0.3	1-PLC ±0.5	PRODUCT SPEC 製品規格
2-PLC ±0.13	3-PLC ±0.013	APPLICATION SPEC 取付適用規格
4-PLC ±0.0001	ANGLES ±3°	114-5291
MATERIAL 材料 COPPER ALLOY	FINISH 仕上 SEE TABLE	WEIGHT 0.19g
		Customer Drawing

SIZE A2	CAGE CODE 00779	DRAWING NO. C-1376109	RESTRICTED TO
SCALE 10:1			SHEET 1 OF 1
			REV B

Mouser Electronics

Authorized Distributor

Click to View Pricing, Inventory, Delivery & Lifecycle Information:

[TE Connectivity:](#)

[1376109-1](#)