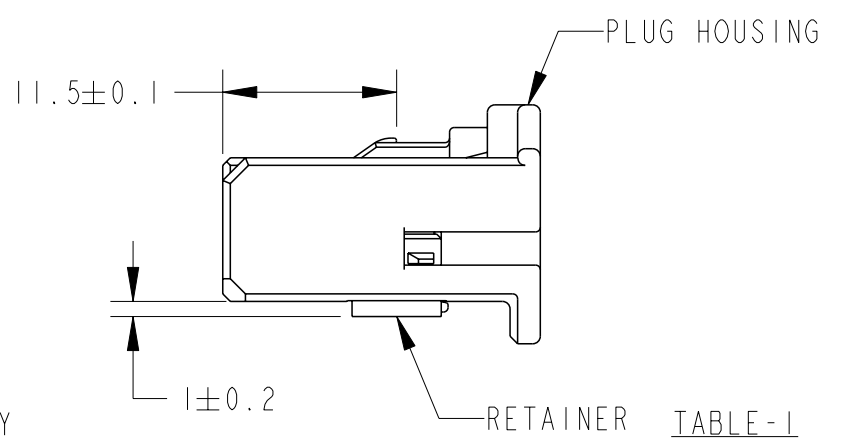
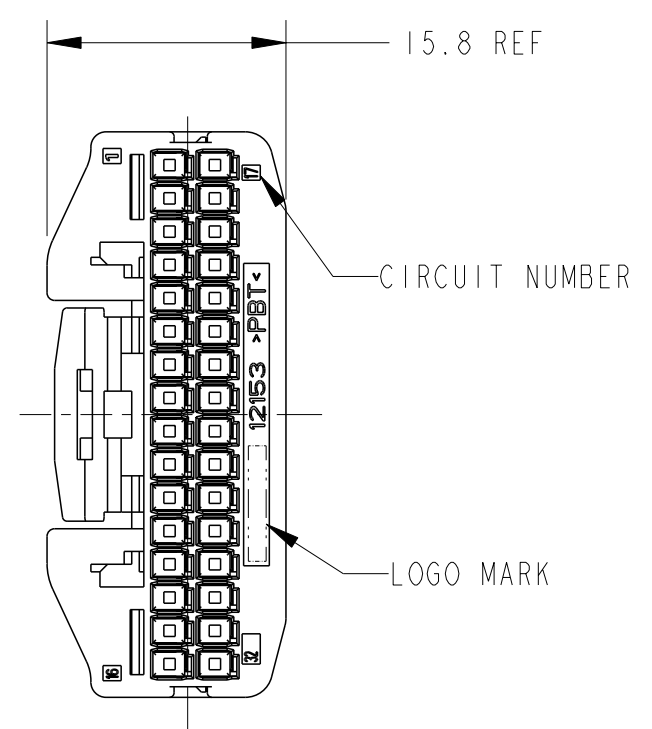
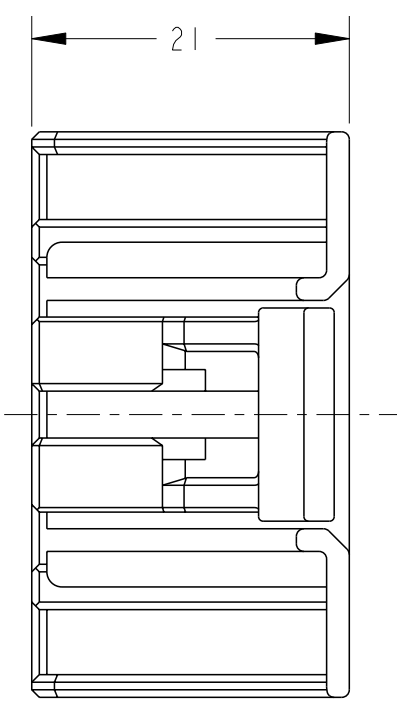
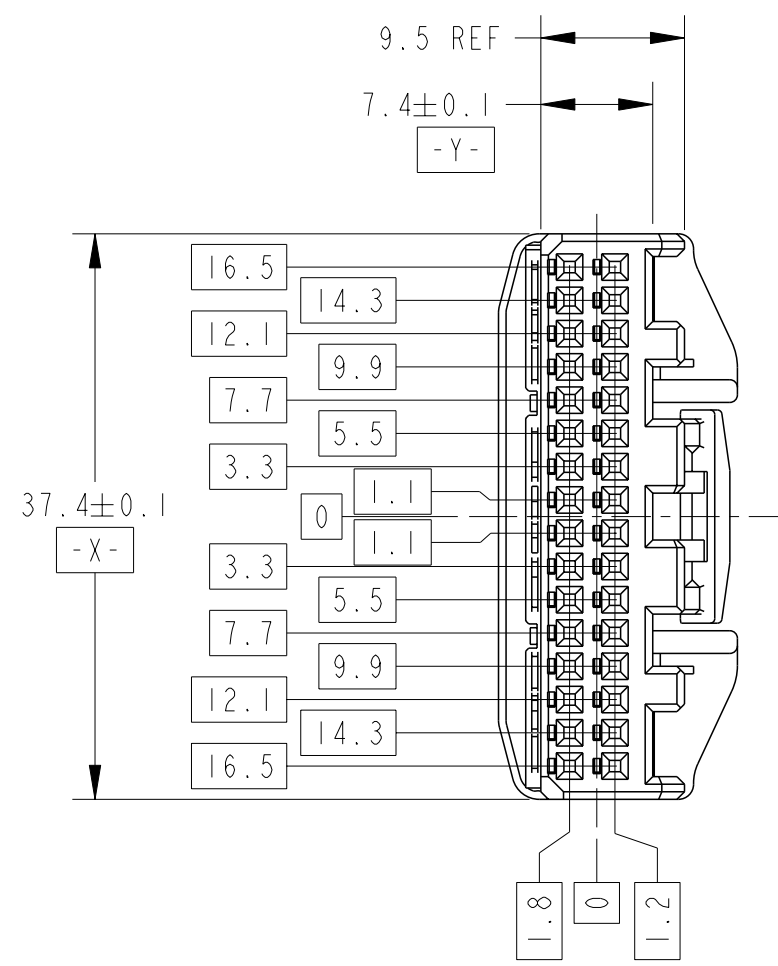


REVISIONS 変更					
P	LTR	DESCRIPTION	DATE	DWN	APVD
	A2	REVISED PER ECO-11-005140	09APR2011	RK	HMR
	A3	REVISED ECR-12-019260	08NOV2012	TS	KB
	A4	REVISED ECR-19-005883	16OCT2019	DM	HK



1. RETAINER SHOULD BE SET TO THE PRE- ASSEMBLY POSITION WITHIN THE PLUG HOUSING WHEN SHIPPED TO THE CUSTOMER
2. THE RETENTION LATCH OF THE RETAINER MUST BE OUT SIDE OF PLUG HOUSING WHEN PRE-ASSEMBLY
3. RETAINER RETENTION FORCE FROM HOUSING : 20N MIN
4. INSTRUCTION SHEET NO : 411-5928
5. PART NUMBER OF CAP HOUSING TO BE MATED : SEE TABLE -1
6. APPLIED TERMINAL : SEE TABLE -2

1. プラグハウジングにリテーナーを仮止して出荷する
2. 仮止時リテーナー突起がハウジングの外側に出ていること
3. リテーナーの仮止保持力は 20N 以上
4. 取扱い説明書 NO : 411-5928
5. 嵌合相手型番は TABLE -1参照
6. 適応端子は TABLE -2参照

TABLE -1

POS 極数	CAP ASSEMBLY PART NO キャップ 型番
32	1318745-1

TABLE -2

		TERMINAL NO 端子型番	APPLICABLE WIRE RANGE 適用電線
SIGNAL 025	TIN	1123343-1	AVSS/CAVUS/AVSSH-f 0.3~0.5mm ² CAVS 0.22~0.5mm ²

PACKING STYLE 梱包形態		COLOR	PART NUMBER
PAPER BOX タンボール	PLASTIC BAG ビニール袋	BLACK	1318747-2
PAPER BOX タンボール	PLASTIC BAG ビニール袋	NATURAL	1318747-1
OUTER 外装	INNER 内装		

THIS DRAWING IS A CONTROLLED DOCUMENT.

DIMENSIONS: 単位: 耗 mm	TOLERANCES UNLESS OTHERWISE SPECIFIED: 一般公差 = ± 0.3	DWN N. YASUDA 09MAR00	 TE Connectivity 025 SERIES 32 POSITION PLUG HOUSING ASSEMBLY
	0-PLC ± 1-PLC ±0.1 2-PLC ±0.01 3-PLC ±0.001 4-PLC ±0.0001 ANGLES ±3'00"	CHK N. SAI 10MAR00	
		APVD N. SAI 10MAR00	
		PRODUCT SPEC 製品規格 108-5668	
MATERIAL 材料 PBT	FINISH 仕上 SEE TABLE	APPLICATION SPEC 取付適用規格 114-5250	NAME 名称 SIZE CAGE CODE DRAWING NO A3 00779 C=1318747
CUSTOMER DRAWING		WEIGHT 4.71 g	RESTRICTED TO

SCALE 2:1 SHEET 1 OF 1 REV A4

Mouser Electronics

Authorized Distributor

Click to View Pricing, Inventory, Delivery & Lifecycle Information:

[TE Connectivity:](#)

[1318747-1](#)