

# SPECIFICATION

## FOR APPRONAL

Customer : \_\_\_\_\_

Product Name : Sensor \_\_\_\_\_

Model Name : VS-P1640H12TR \_\_\_\_\_

Drawing No. : VS20200915021 \_\_\_\_\_

### Signature of Voise

Approved by	Checkde by	Issued by	Date



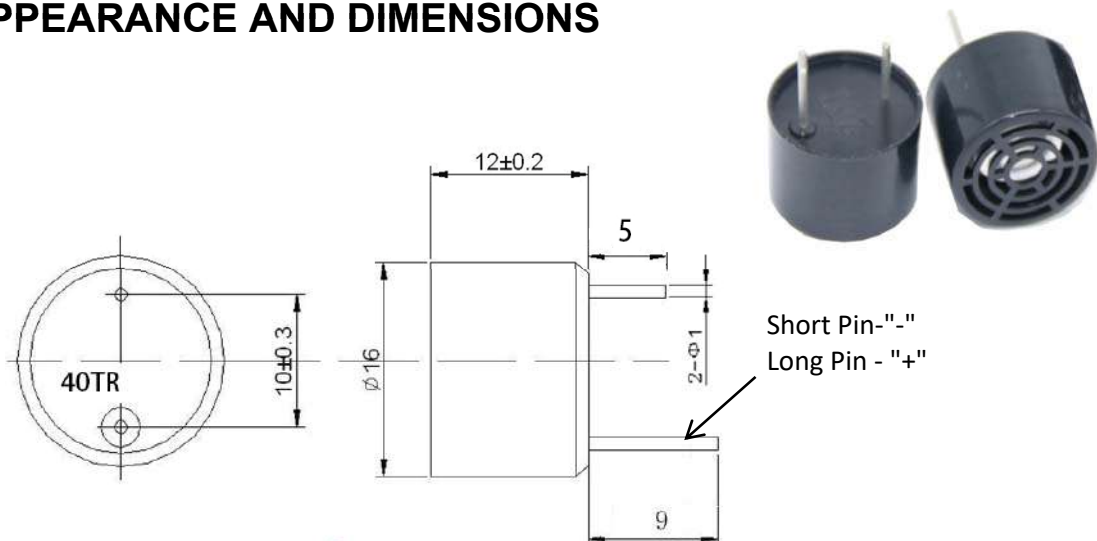
Office Add:Haoyangguang B-302# No.968 Baizhang Road,Ningbo China  
Factory add: Shishan Industrial Park Moushan Town Yuyao City China  
Tel:86-0574-87471601 Fax:86-0574-87471603 P.C.315000  
Http://www.nbvoise.com E-mail:sales@nbvoise.com

Specification for Sensor		Page	2/4
		Revision No.	1.0
Model No.:	VS-P1640H12TR	Drawing No.	VS20200915021

## ELECTRICAL SPECIFICATION

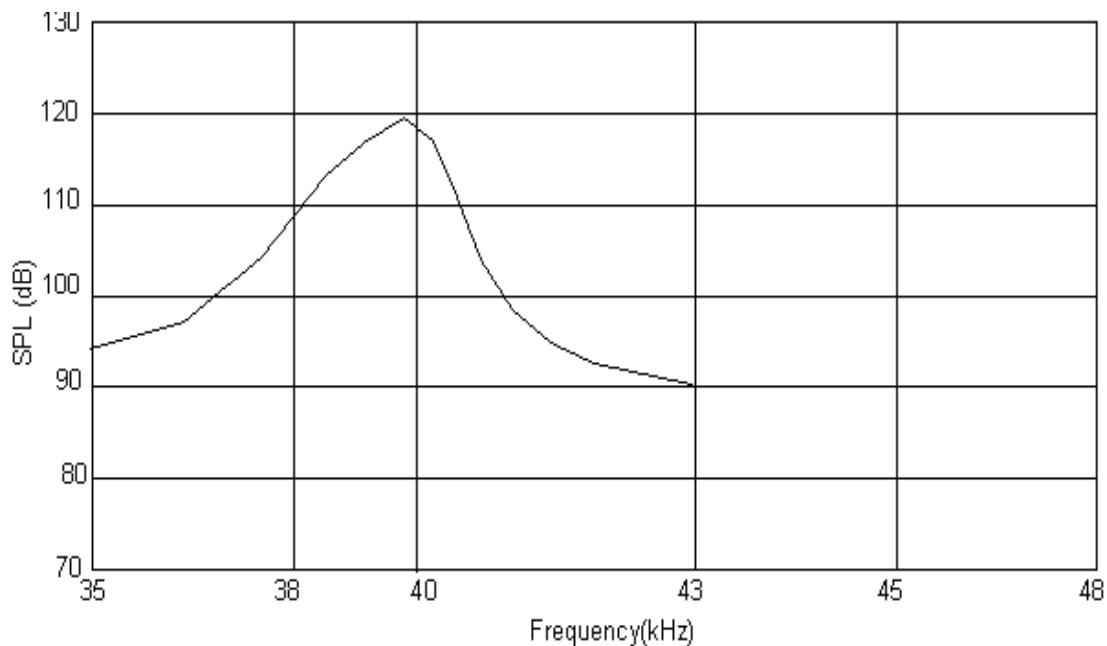
No	Items	Specification
1	Construction	Open
2	Using Method	Dual
3	Center frequency(KHz)	40 KHZ
4	Directivity	50°±5°
5	Transmitting Sound Pressure Level	≥ 115dB (10V/30cm/sine wave)
6	Sensitivity	≥ -65dB V/u bar
7	Capacitance(pF)	2400±25% @1kHz
8	Allowable Maximum Input Voltage(Vp-p)	150 (40KHz)
9	Detectable range	0.2-18 m
10	Operating Temperature	-30~ +70(°C)
11	Storage Temperature	-40~ +85(°C)
12	Material	AL,PLASTIC
13	Reactivate response time	Max 1.6ms

## APPEARANCE AND DIMENSIONS

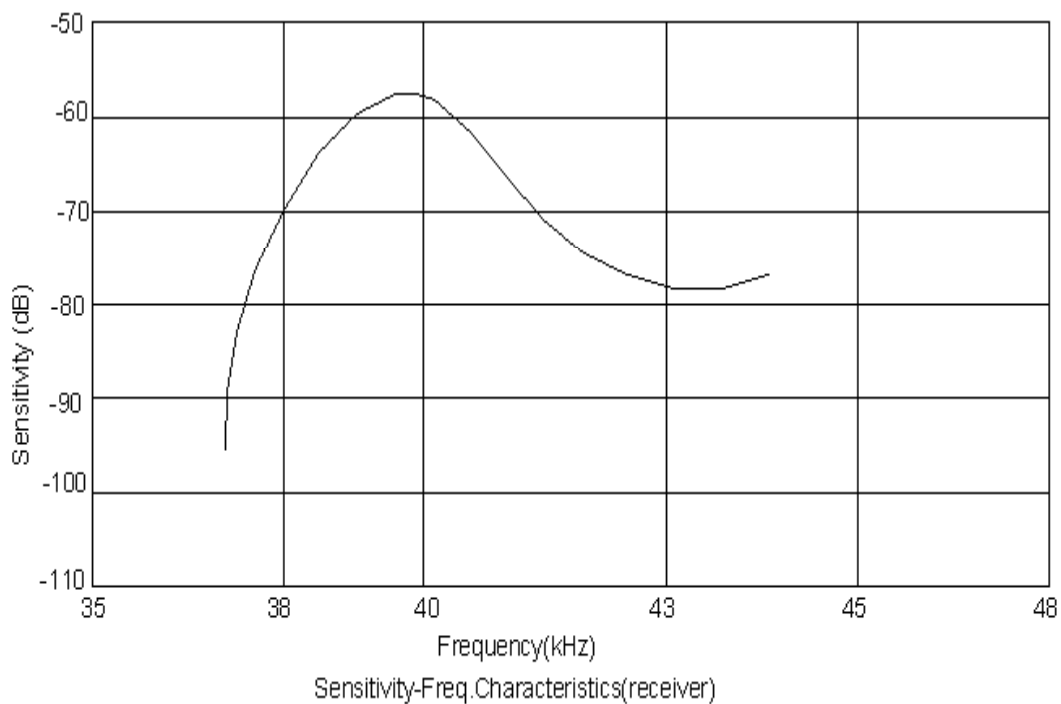


<b>Specification for Sensor</b>		Page	3/4	
		Revision No.	1.0	
Model No.:	VS-P1640H12TR		Drawing No.	VS20200915021

**Beam Pattern**

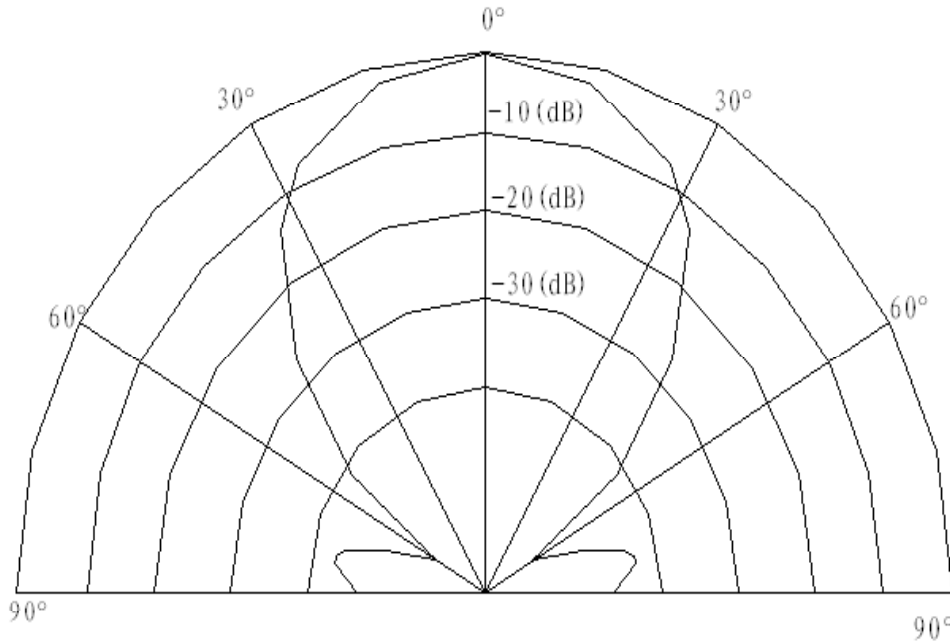


**SPL-Frequency Characteristics**



**Sensitivity-Freq. Characteristics(receiver)**

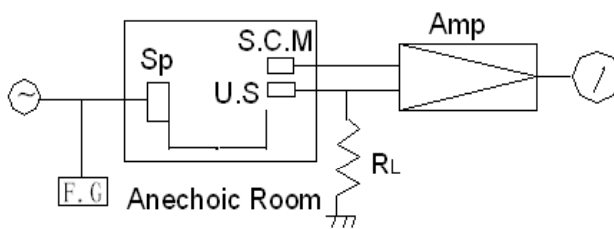
<b>Specification for Sensor</b>		Page	4/4
		Revision No.	1.0
Model No.:	VS-P1640H12TR	Drawing No.	VS20200915021



Directivity in Overall Sensitivity

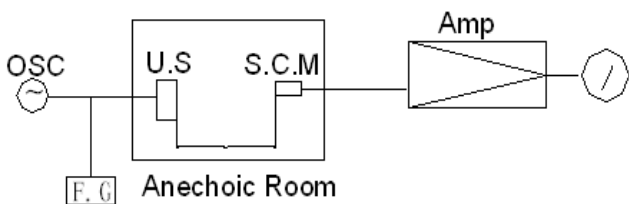
**Test Circuit**

**Receiver**



- RL: 3.9KΩ
- U.S. :Ultrasonic Sensor
- S.C.M:Standard Cappacitor Microphone
- Amp. :Amplifier
- OSC. :Oscillator
- Sp :Tweeter
- F.C. :Frequency Counter

**Transmitter**



- U.S. :Ultrasonic Sensor
- S.C.M:Standard Cappacitor Microphone
- Amp. :Amplifier
- Input voltage: 10Vrms
- F.C. :Frequency Counter