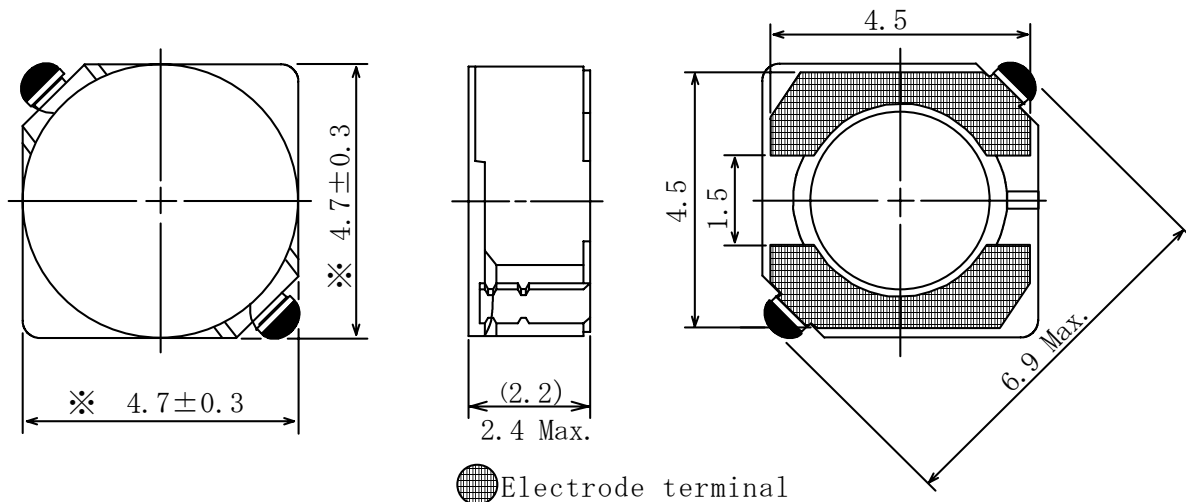
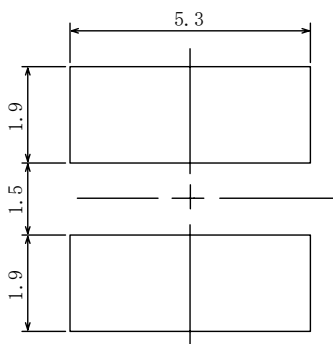


Type: CDRH4D22, CDRH4D22/HP
◆ Product Description

- 5.0×5.0mm Max.(L×W),2.4mm Max. Height.
- Both Standard Type CDRH4D22 and High Power Type CDRH4D22/HP are available.
- Inductance Range: 1.5~150 μH(CDRH4D22); 1.2~100 μH(CDRH4D22/HP).
- Rated current range: 0.21~2.0A(CDRH4D22); 0.35~3.2A(CDRH4D22/HP).
- In addition to the standards versions shown here, custom inductors are also available to meet your exact requirements.


◆ Feature

- Magnetically shielded construction.
- Ideally used in Mobile phone, PDA, MP3, HDD, DSC/DVC, Portable Computers, etc as DC-DC Converter inductors.
- RoHS Compliance.

◆ Dimensions (mm)

◆ Land Pattern (mm)


Type: CDRH4D22, CDRH4D22/HP
◆ Standard Type(CDRH4D22)

| Part Name ※ | Stamp | Inductance (μ H) [Within] 100kHz/1V | D.C.R. ($m\Omega$) Max.(Typ.) (at 20°C) | Saturation Current (A) ※1 | | Temperature Rise current (A) ※2 |
|------------------|-------|---|--|------------------------------|------------|---------------------------------------|
| | | | | (at 20°C) | (at 100°C) | |
| CDRH4D22NP-1R5N□ | 1R5 | 1.5±30% | 18.3(14.1) | 2.00 | 1.60 | 4.20 |
| CDRH4D22NP-1R8N□ | 1R8 | 1.8±30% | 21.6(16.6) | 1.90 | 1.50 | 3.70 |
| CDRH4D22NP-2R3N□ | 2R3 | 2.3±30% | 25.4(19.5) | 1.80 | 1.40 | 3.60 |
| CDRH4D22NP-3R3N□ | 3R3 | 3.3±30% | 35.1(27.0) | 1.40 | 1.10 | 3.07 |
| CDRH4D22NP-3R9N□ | 3R9 | 3.9±30% | 40.2(30.9) | 1.30 | 1.00 | 3.04 |
| CDRH4D22NP-4R7N□ | 4R7 | 4.7±30% | 55.9(43.0) | 1.10 | 0.90 | 2.08 |
| CDRH4D22NP-5R6N□ | 5R6 | 5.6±30% | 62.0(47.7) | 1.05 | 0.85 | 2.05 |
| CDRH4D22NP-6R8N□ | 6R8 | 6.8±30% | 88.0(67.7) | 1.00 | 0.75 | 1.95 |
| CDRH4D22NP-8R2N□ | 8R2 | 8.2±30% | 96.5(74.2) | 0.90 | 0.65 | 1.85 |
| CDRH4D22NP-100N□ | 100 | 10±30% | 102.4(78.8) | 0.80 | 0.60 | 1.82 |
| CDRH4D22NP-120N□ | 120 | 12±30% | 110.4(84.9) | 0.75 | 0.55 | 1.80 |
| CDRH4D22NP-150N□ | 150 | 15±30% | 127.4(98.0) | 0.68 | 0.50 | 1.59 |
| CDRH4D22NP-180N□ | 180 | 18±30% | 168.7(129.8) | 0.60 | 0.43 | 1.41 |
| CDRH4D22NP-220N□ | 220 | 22±30% | 199.7(153.6) | 0.54 | 0.41 | 1.32 |
| CDRH4D22NP-270N□ | 270 | 27±30% | 282.5(217.3) | 0.51 | 0.38 | 1.04 |
| CDRH4D22NP-330N□ | 330 | 33±30% | 325.8(250.6) | 0.48 | 0.35 | 1.02 |
| CDRH4D22NP-390N□ | 390 | 39±30% | 451.2(347.1) | 0.43 | 0.32 | 0.85 |
| CDRH4D22NP-470N□ | 470 | 47±30% | 500.4(384.9) | 0.38 | 0.30 | 0.82 |
| CDRH4D22NP-560N□ | 560 | 56±30% | 555.4(427.2) | 0.36 | 0.28 | 0.72 |
| CDRH4D22NP-680N□ | 680 | 68±30% | 634.1(487.8) | 0.33 | 0.25 | 0.67 |
| CDRH4D22NP-820N□ | 820 | 82±30% | 794.6(608.9) | 0.30 | 0.22 | 0.58 |
| CDRH4D22NP-101N□ | 101 | 100±30% | 880(670) | 0.25 | 0.20 | 0.55 |
| CDRH4D22NP-121N□ | 121 | 120±30% | 1140(880) | 0.23 | 0.18 | 0.52 |
| CDRH4D22NP-151N□ | 151 | 150±30% | 1350(1040) | 0.21 | 0.17 | 0.47 |

Type: CDRH4D22, CDRH4D22/HP
◆ High Power Type(CDRH4D22/HP)

| Part Name ※ | Stamp | Inductance (μ H) [Within] 100kHz/1V | D.C.R.(m Ω) Max.(Typ.) (at 20°C) | Saturation Current (A) ※1 | | Temperature Rise current (A) ※2 |
|--------------------|-------|--|--|------------------------------|------------|---------------------------------------|
| | | | | (at 20°C) | (at 100°C) | |
| CDRH4D22HPNP-1R2N□ | 1R2 | 1.2±25% | 26.5(21.2) | 4.20 | 3.40 | 3.20 |
| CDRH4D22HPNP-1R5N□ | 1R5 | 1.5±25% | 31.3(25.0) | 3.90 | 3.20 | 3.00 |
| CDRH4D22HPNP-2R2N□ | 2R2 | 2.2±25% | 44.3(35.4) | 3.20 | 2.50 | 2.40 |
| CDRH4D22HPNP-2R7N□ | 2R7 | 2.7±25% | 57.8(46.3) | 2.80 | 2.35 | 2.20 |
| CDRH4D22HPNP-3R5N□ | 3R5 | 3.5±25% | 65.1(52.0) | 2.50 | 2.10 | 2.00 |
| CDRH4D22HPNP-4R7N□ | 4R7 | 4.7±25% | 82.6(66.0) | 2.20 | 1.80 | 1.80 |
| CDRH4D22HPNP-5R2N□ | 5R2 | 5.2±25% | 92.8(74.3) | 2.00 | 1.65 | 1.70 |
| CDRH4D22HPNP-6R3N□ | 6R3 | 6.3±25% | 110.0(87.9) | 1.85 | 1.50 | 1.40 |
| CDRH4D22HPNP-8R2N□ | 8R2 | 8.2±25% | 128.3(102.6) | 1.65 | 1.40 | 1.35 |
| CDRH4D22HPNP-100M□ | 100 | 10±20% | 143.8(115.0) | 1.50 | 1.20 | 1.30 |
| CDRH4D22HPNP-120M□ | 120 | 12±20% | 187.2(150.0) | 1.30 | 1.10 | 1.10 |
| CDRH4D22HPNP-150M□ | 150 | 15±20% | 212.9(170.3) | 1.20 | 1.00 | 0.85 |
| CDRH4D22HPNP-180M□ | 180 | 18±20% | 238.7(191.0) | 1.10 | 0.90 | 0.80 |
| CDRH4D22HPNP-220M□ | 220 | 22±20% | 267.0(213.6) | 1.05 | 0.85 | 0.90 |
| CDRH4D22HPNP-270M□ | 270 | 27±20% | 393.9(315.0) | 0.90 | 0.75 | 0.70 |
| CDRH4D22HPNP-330M□ | 330 | 33±20% | 448.9(359.0) | 0.80 | 0.68 | 0.65 |
| CDRH4D22HPNP-390M□ | 390 | 39±20% | 667.9(534.3) | 0.75 | 0.60 | 0.52 |
| CDRH4D22HPNP-470M□ | 470 | 47±20% | 723.3(578.6) | 0.70 | 0.56 | 0.50 |
| CDRH4D22HPNP-560M□ | 560 | 56±20% | 810.0(648.2) | 0.65 | 0.52 | 0.48 |
| CDRH4D22HPNP-680M□ | 680 | 68±20% | 913.0(730.4) | 0.60 | 0.48 | 0.45 |
| CDRH4D22HPNP-820M□ | 820 | 82±20% | 1221(977.0) | 0.55 | 0.45 | 0.40 |
| CDRH4D22HPNP-101M□ | 101 | 100±20% | 1370(1096.0) | 0.48 | 0.38 | 0.35 |

※ Description of part name

CDRH4D22NP-1R5N□

— B Box
 — C Carrier Tape

※1.Saturation Current: The DC current at which the inductance decreases to 65% of it's nominal value

 ※2 Temperature rise current: The DC current at which the temperature rise is $\Delta t=40^{\circ}\text{C}$.($T_a=20^{\circ}\text{C}$)