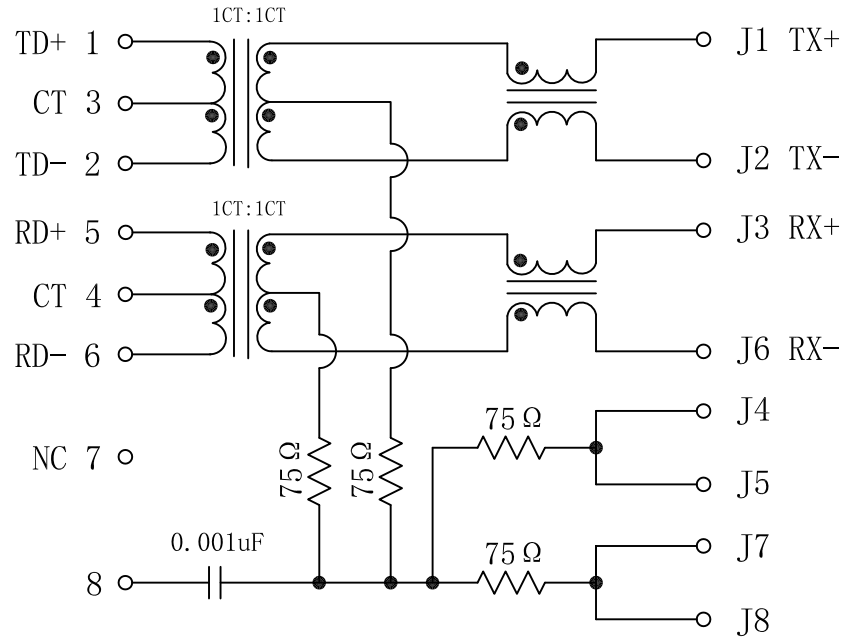


Schematic:

| REV. | ECN NO. | DESCRIPTION | DATE | APPD |
|--------|---------|-------------|------------|------|
| A (TR) | REL | | 2015-05-11 | |

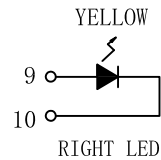
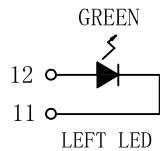
PCB SIDE TO PHY



CABLE

ELECTRICAL SPECIFICATIONS @25°C

- Turn Ratio($\pm 3\%$):
TX=1CT:1CT RX=1CT:1CT
- Inductance OCL:
350uH MIN @ 100KHz 0.1V 8mA DC Bias
- DCR: 1.2 Ω MAX
- Insertion Loss:
-1.0dB MAX @ 1-100MHz
- Return Loss:
-18dB MIN @ 1-30MHz
-15dB MIN @ 30-60MHz
-12dB MIN @ 60-100MHz
- Cross talk:
-40dB MIN @ 1-30MHz
-35dB MIN @ 30-60MHz
-30dB MIN @ 60-100MHz
- Common Mode Rejection:
-30dB MIN @ 1-50MHz
-20dB MIN @ 50-100MHz
- Hipot Test: 1500Vrms
- Operating Temperature Range: 0°C TO 70°C

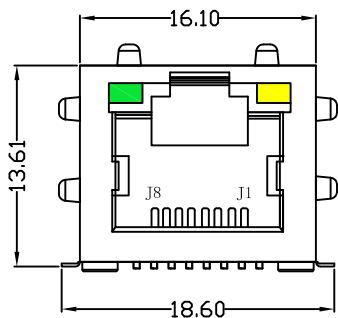


| Emitting Color | λ p(nm) | VF@IF=20mA | IR @VR=5V |
|----------------|-----------------|------------|----------------|
| GREEN | 565 | 1.8~2.4V | 10 μ A max |
| YELLOW | 585 | 1.8~2.4V | 10 μ A max |

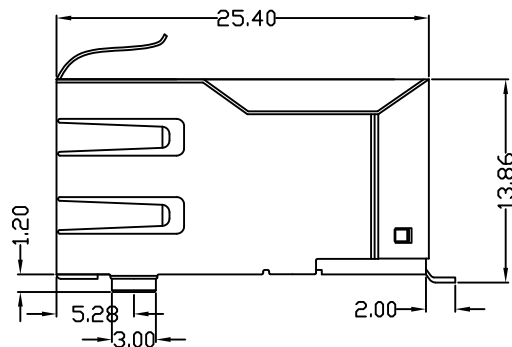
| | | | | |
|--------|---------------|------------|---|----------------------|
| X:X | ± 0.30 | APPD: SAM | LINK-PP INT'L TECHNOLOGY CO., LIMITED | |
| X:XX | ± 0.25 | CHKD: | TITLE: Surface Mount 1x1 Tab-Up Jack With 10/100M Magnetic | |
| X:XXX | ± 0.05 | DR: TOM | | |
| ANGLES | $\pm 1^\circ$ | UNIT: mm | PART NO. : | LPJ3011ABNL |
| | SCALE: 2/1 | SHEET: 1/2 | REV: A (TR) | DWG NO. : LP15051185 |

Mechanical:

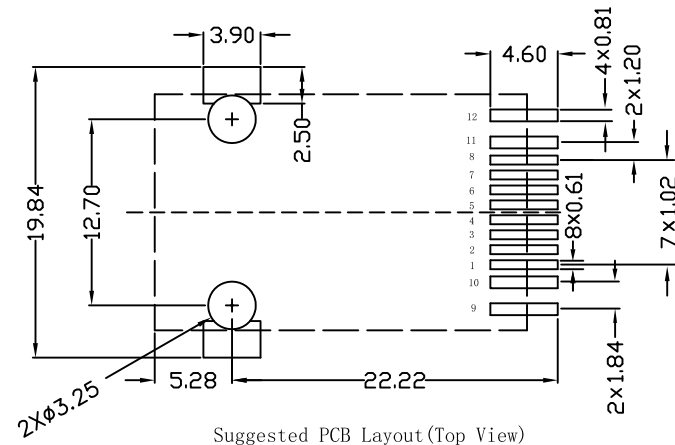
| REV. | ECN NO. | DESCRIPTION | DATE | APPD |
|--------|---------|-------------|------------|------|
| A (TR) | REL | | 2015-05-11 | |



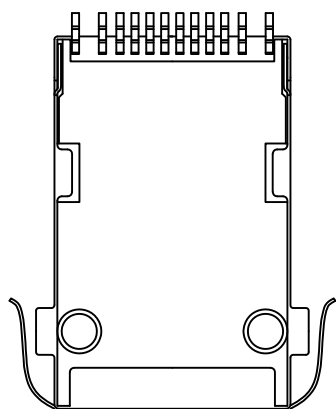
Front Side View



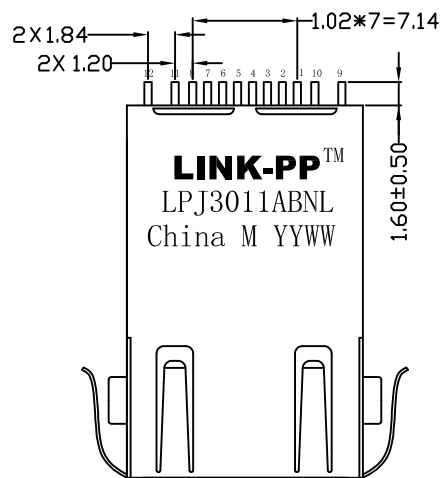
Left Side View



Suggested PCB Layout (Top View)



Bottom Side View



Top Side View

NOTES:

1. Meets IEEE 802.3 specification
2. Connector Materials:
 Housing Material: Thermoplastic LCP+30%G.F UL94V-0
 Contact Material: Phosphor Bronze C5210R-EH Thickness=0.35mm
 Pins: Brass C2680R-H Thickness=0.35mm
 Shield: SUS 201-1/2H Thickness=0.2mm
 Contact plating: Gold 6 micro-inches min. In contact area.
3. Maximum reflow temperature is 250°C, 5 Sec.
4. UL Certification: File Number E484635.

| | | | |
|-------------|------------|---|---------------------------------|
| X:X ±0.30 | APPD: SAM | LINK-PP INT'L TECHNOLOGY CO., LIMITED | |
| X:XX ±0.25 | CHKD: | TITLE: Surface Mount 1×1 Tab-Up Jack With 10/100M Magnetic | |
| X:XXX ±0.05 | DR: TOM | | |
| ANGLES ±1° | UNIT: mm | PART NO.: | LPJ3011ABNL |
| | SCALE: 2/1 | SHEET: 2/2 | REV: A (TR) DWG NO.: LP15051185 |