

Recommended P.C.B Layout(Top Side)  
Tolerance=±0.05

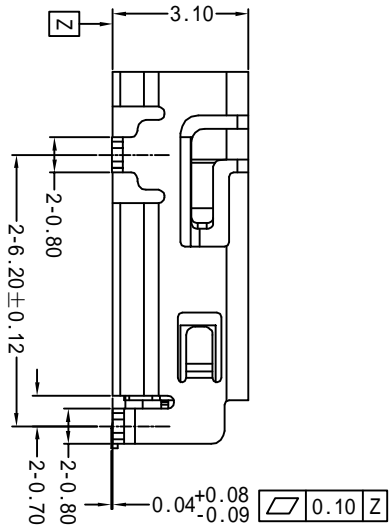
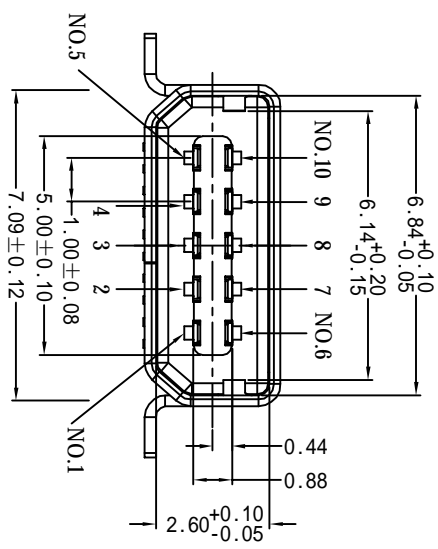
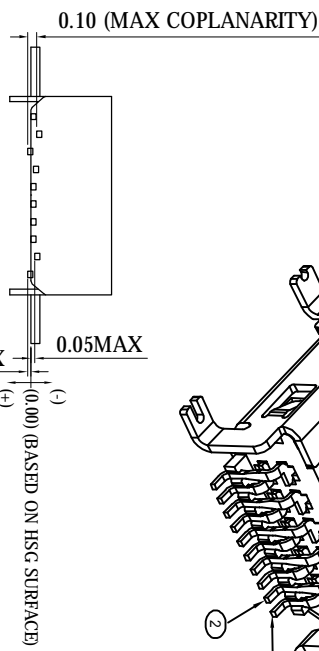
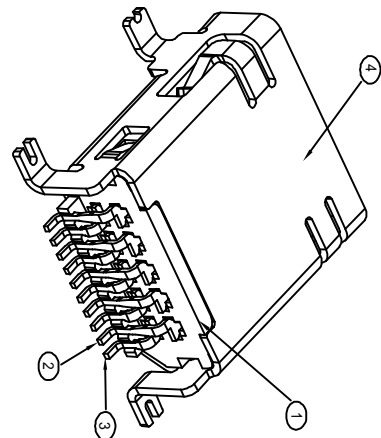
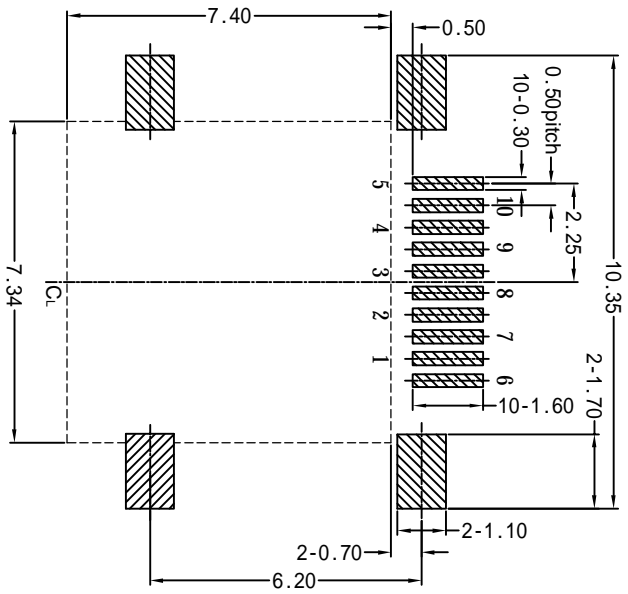


table:

N.O	品名	数量	材 質
1	HOUSING	1	HIGH TEMPERATURE THERMOPLASTIC: (U194-V0)BLACK
2	CONTACT 3	5	COPPER ALLOY T-0.15mm 1.5u" or 3u" GOLD OVER ALL
3	CONTACT 4	5	COPPER ALLOY T-0.15mm 1.5u" or 3u" GOLD OVER ALL
4	SHELL	1	COPPER ALLOY T-0.25mm (UNDER PLATED 50u" MIN. NICKEL OVER ALL 80-120U" TIn or Ag OVER ALL

N.O	品名	数量	材 質
1	Shell Finish	Contact Finish	P/N(plated)
1	Tn	1.5u"Au over all	001-01-03001
2	Ag	1.5u"Au over all	001-01-03002
3	Tn	3u"Au over all	001-01-04001
4	Ag	3u"Au over all	001-01-04002

OPERATION	DRAW	SCALE
~ 10 ±0.15	Iuozhongyi	8:1
10 ~ 30 ±0.30	DESIGN Iuozhongyi	UNIT mm
30 ~ ±0.40	CHECK	SIZE A4
Angle ± 2'	APPROVE	SHEET 1/1
DIM TOL	APPROVE	PROJ.

REV	DATE	MODIFICATION DESCRIPTION	CHANGE	APPROVE	DATE	SCALE	PART NO.	TITLE:	DRAWING NO.
A0	11/06/27	NEW			11/06/27	001-01-02009	MINIUSB 10P Female SMT TYPE1(錫脚長1.1~)		