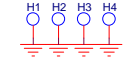
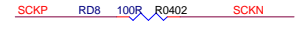
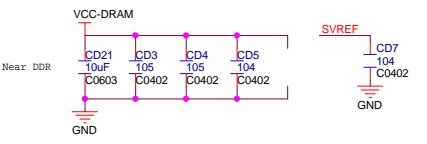
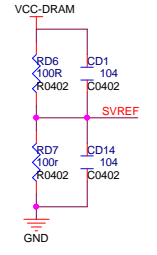
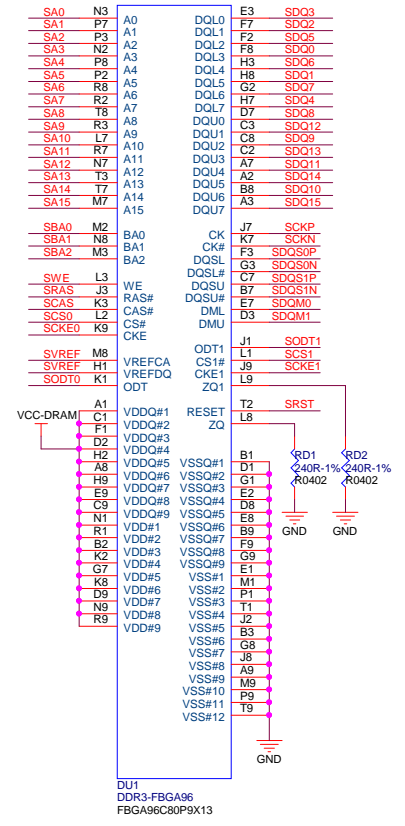
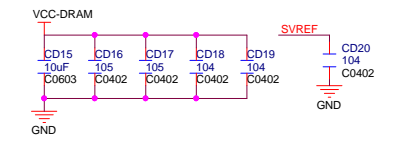
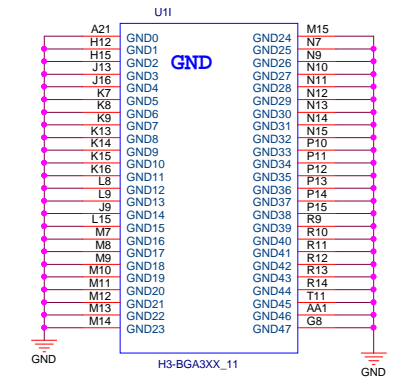
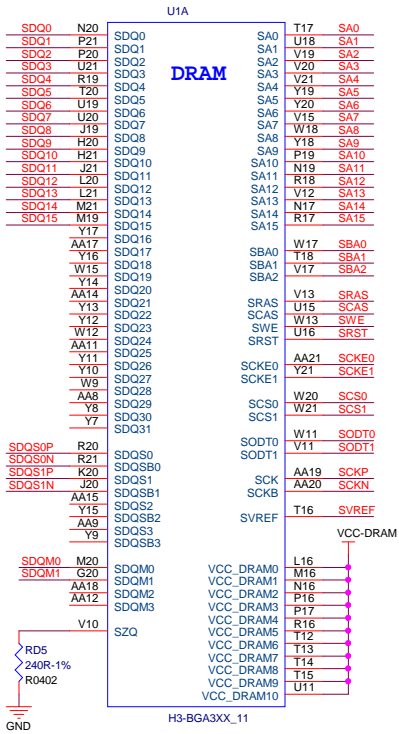
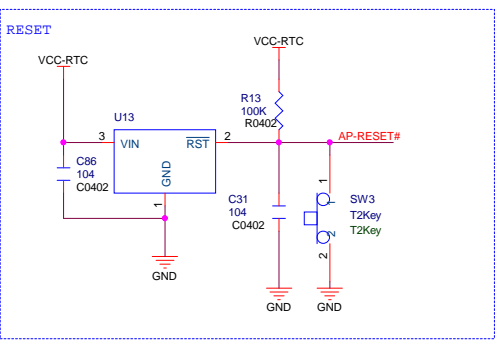
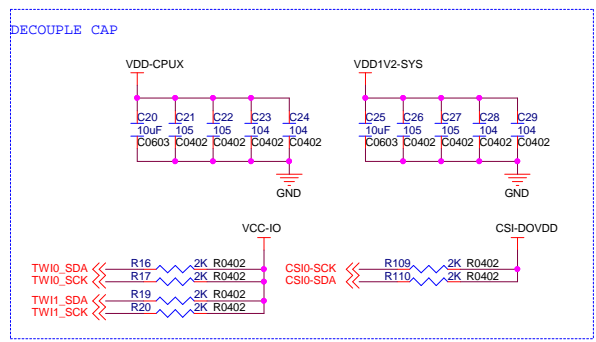
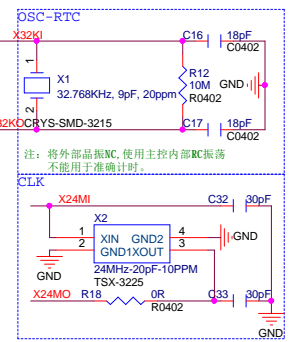
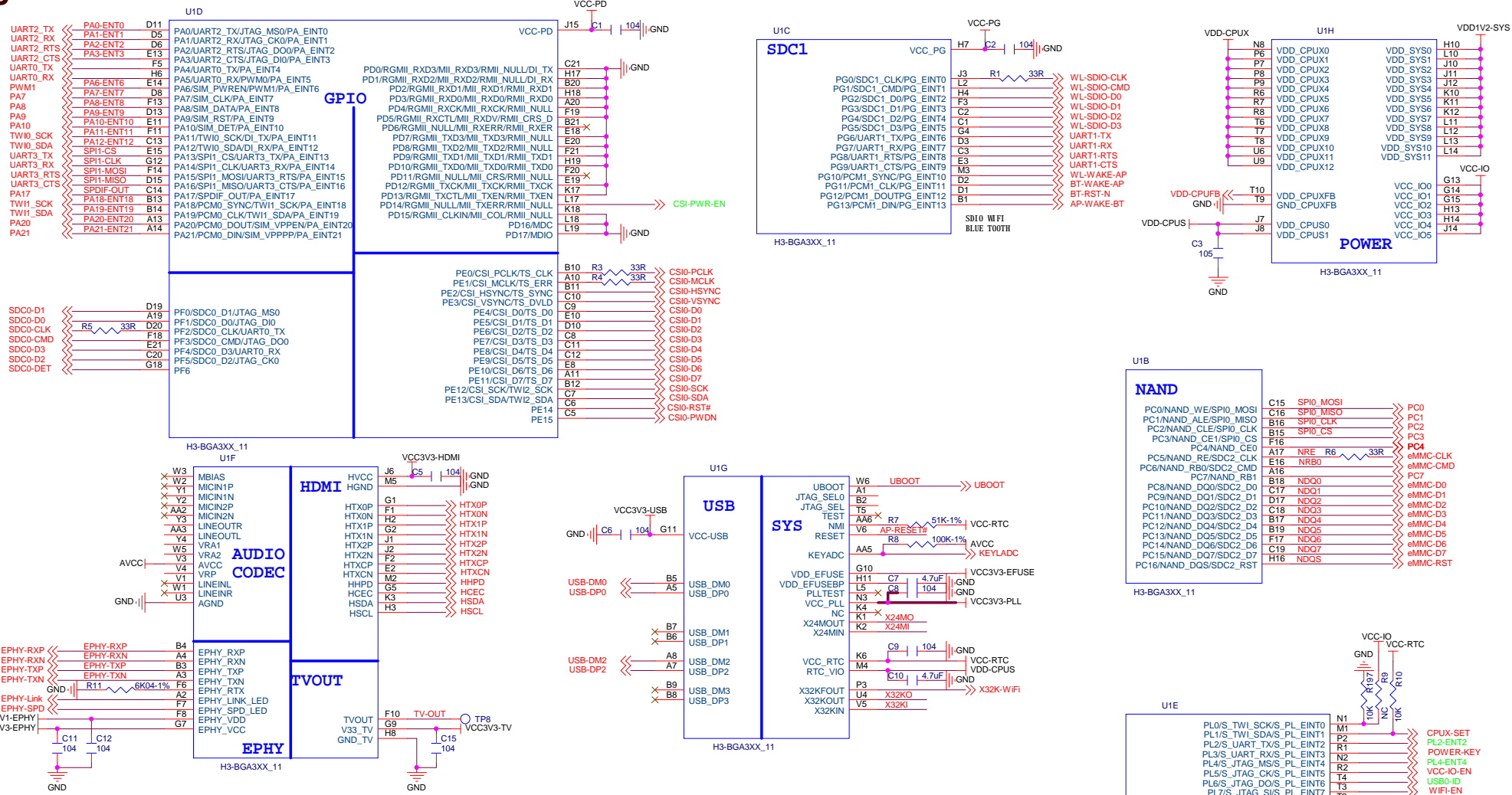


DDR3 16x2



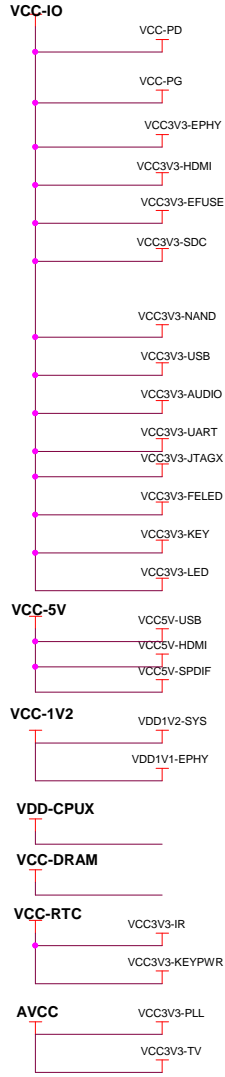
CPU



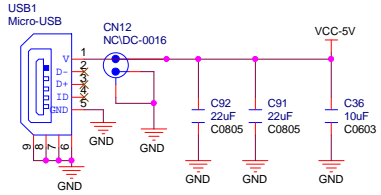
	PWRON/WORK	STANDBY	PWROFF
PWR-STB	1	1	0
PWR-DRAM	1	1	0

POWER

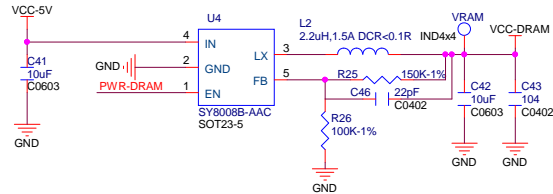
PWR-STB
PWR-DRAM



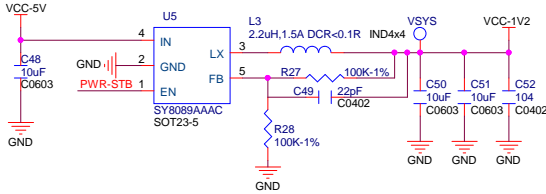
VCC-5V



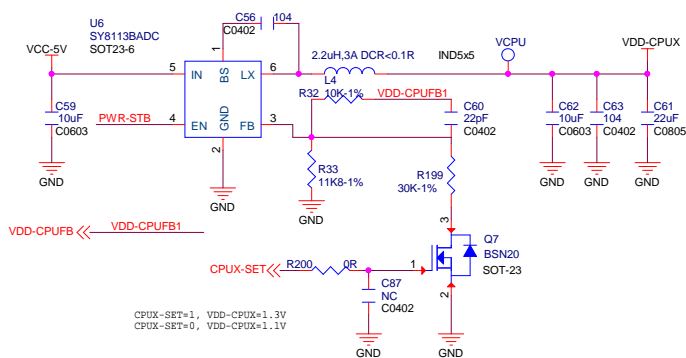
DRAM



SYSTEM

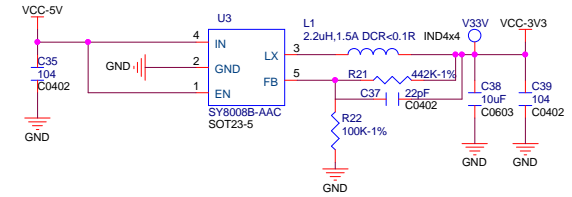


CPUX



CPUX-SET=1, VDD-CPUX=1.3V
CPUX-SET=0, VDD-CPUX=1.1V

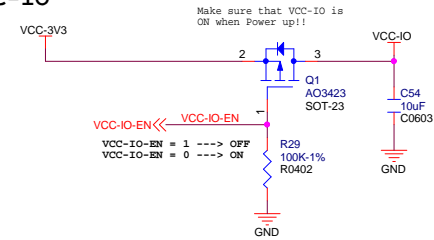
VCC3V3



RTC



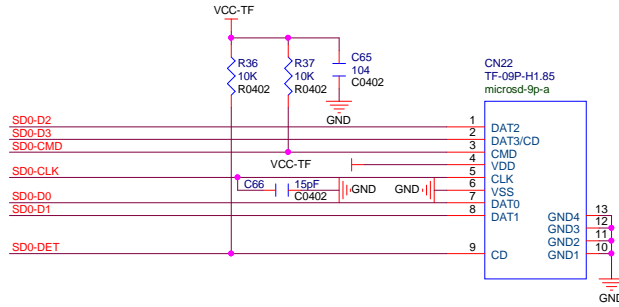
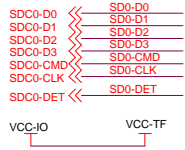
VCC-IO



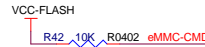
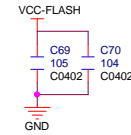
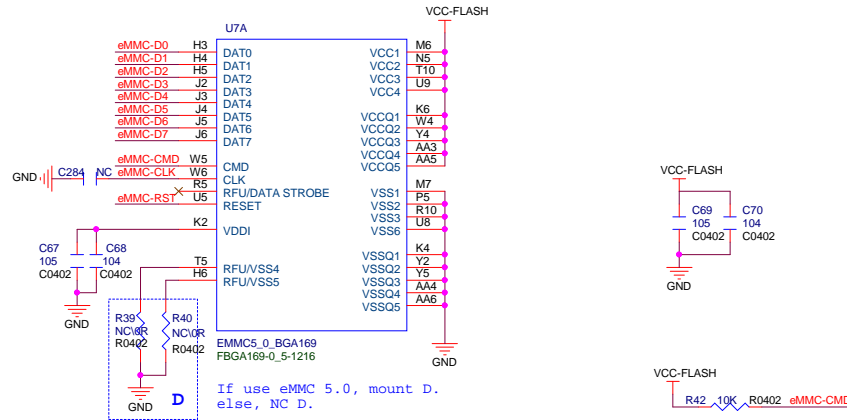
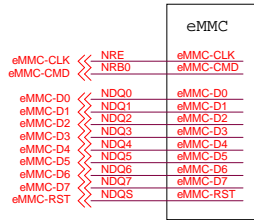
AVCC



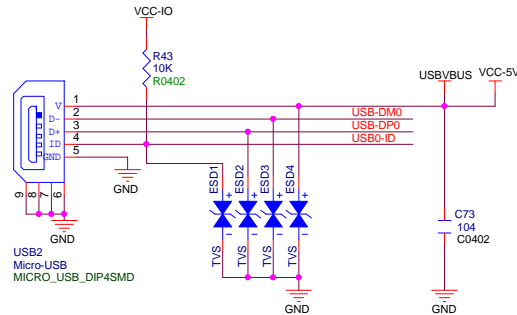
TF



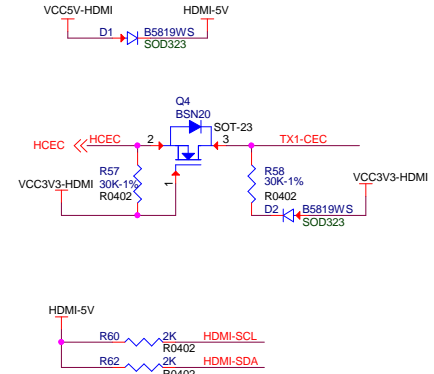
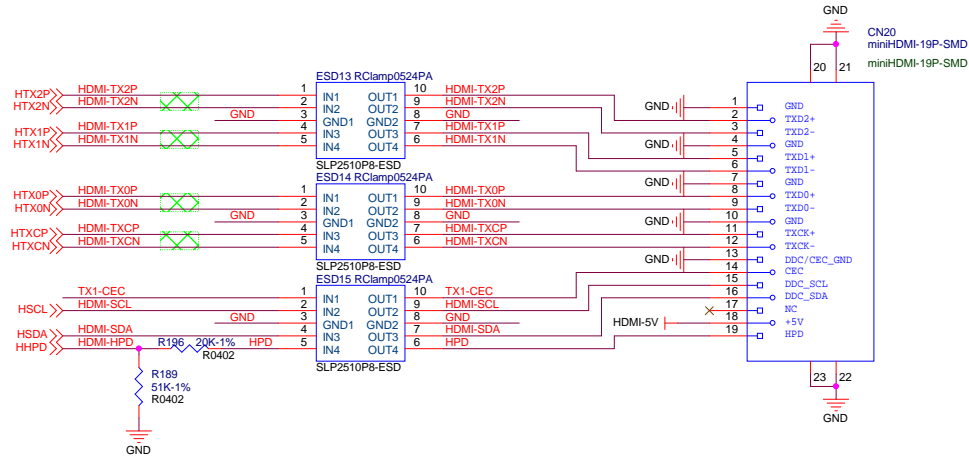
eMMC



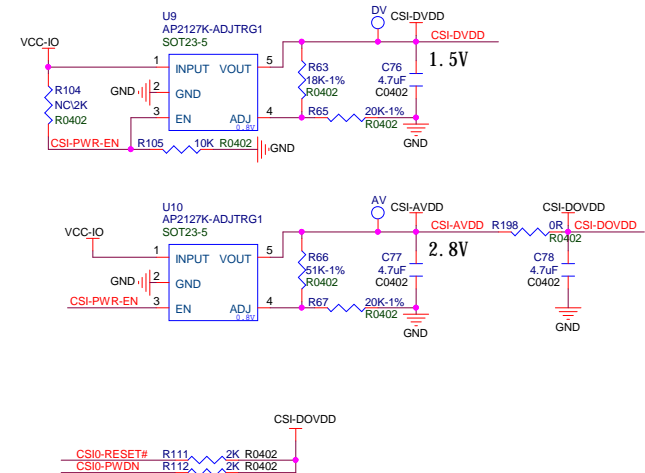
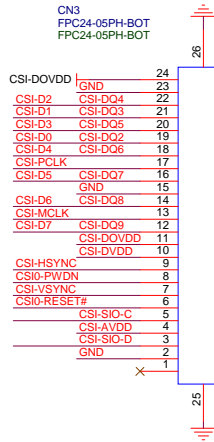
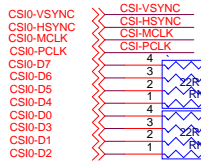
USB



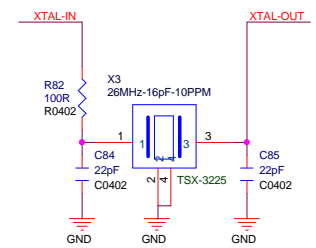
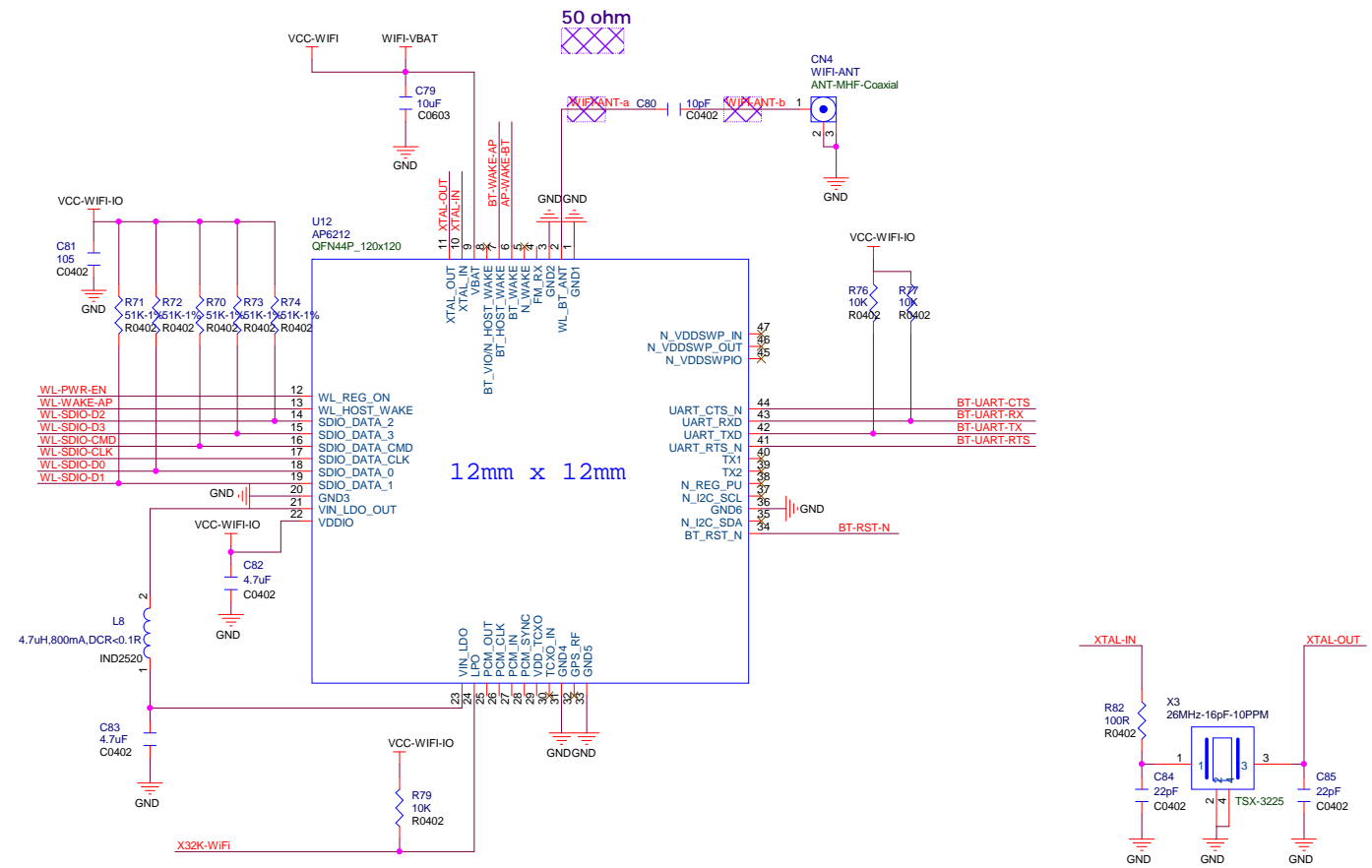
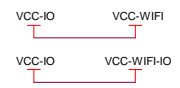
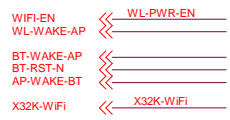
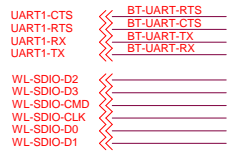
HDMI-CSI



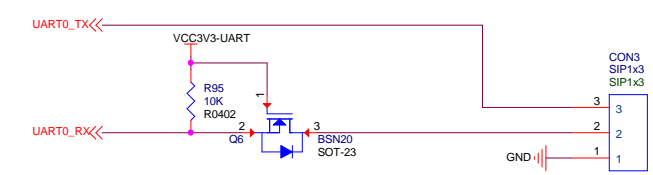
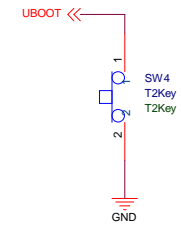
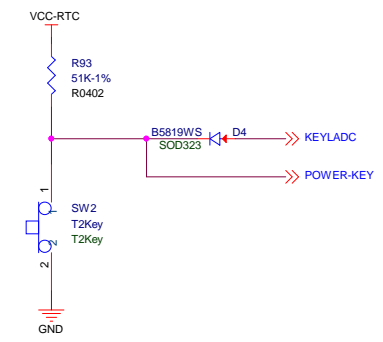
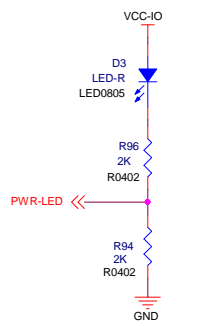
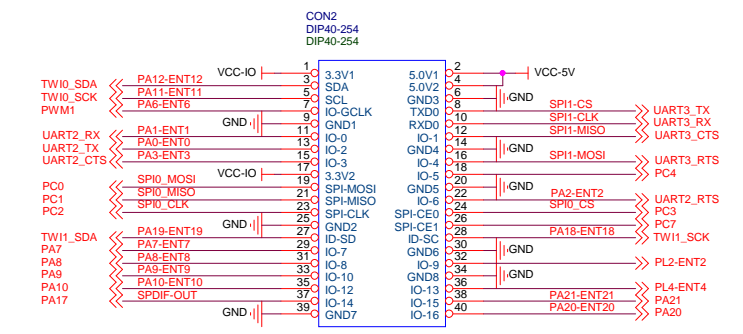
CSI



SDIO WIFI+BT

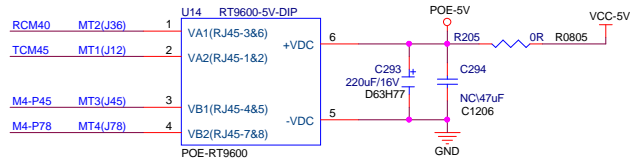
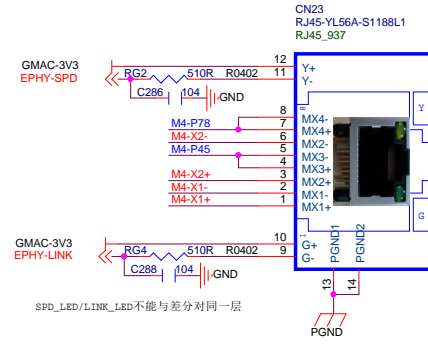
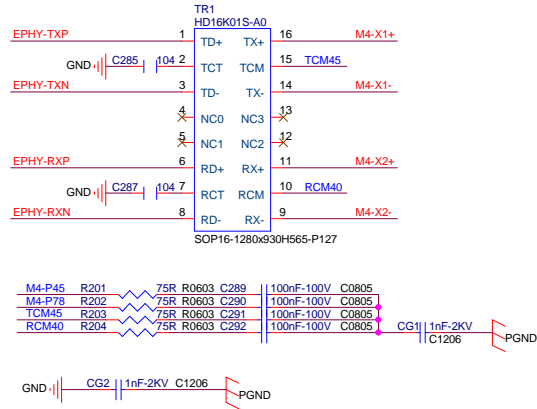


EXT GPIO-IR-KEY-LED



FE POE

- EPHY-RXN <<<<<<
- EPHY-RXP <<<<<<
- EPHY-TXN <<<<<<
- EPHY-TXP <<<<<<
- EPHY-SPD <<<<<<
- EPHY-Link <<<<<<



REVISION HISTORY

Schematics Index:

Revision	Description	Date	Drawn	Checked
Ver 1.0	Release	2018-07-11		

BLOCK

