

1 2 3 4 5 6 7 8 9

A

B

C

D

E

F

A

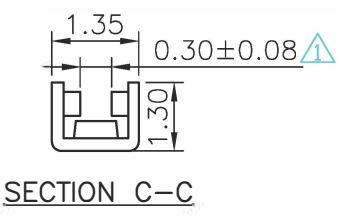
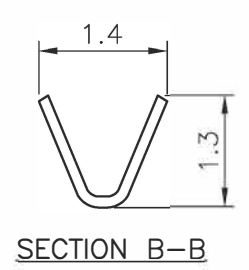
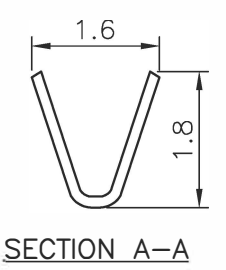
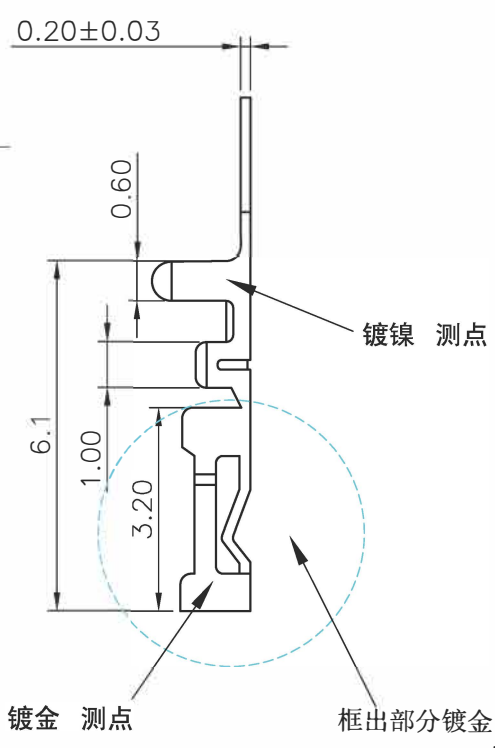
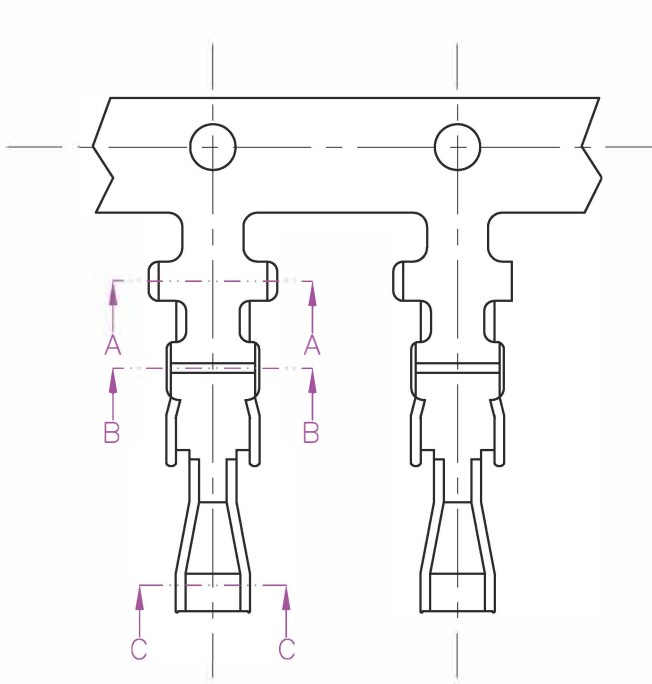
B

C

D

E

F



B20060 * 3AB10C
 B:half gold
 T:tin plating
 G:gold plating

- ◆ SPECIFICATIONS
- Current rating: 2A AC, DC
 - Voltage rating: 250V AC, DC
 - Temperature range: -25°C ~ +85°C
 - Insulation resistance: 1000MΩ Min.
 - Withstanding voltage: 1000V AC/ minute.
 - Contact resistance: 20mΩ Max.
- Suitable KR2006 Series Housing

Part No.	Wire Range	Insulation O.D.	Material	Finish	Q'ty/reel
B20060B3AB10C	24~28AWG	1.50mm MAX.	Brass	Gold-flash	10,000PCS

△4				GENERAL TOLERANCE	UNIT: mm	DATE	TITLE:		
△3				.X±0.30	X°±1°	DRAWN: 闵昕皓	仿Dupont 2.00 Terminal		
△				.XX±0.20	.X°±	CHECKED:			
△	闵昕皓	2014.7.21	新增管控尺寸	.XXX±0.10	.XX°±	APPROVED:	VER.	SCALE:	N/A
LTR	NAME	DATE	VERISION RECORD				A	SHEET:	1/1

东莞市康瑞电子有限公司
 Dongguan Konnra Electronics co., LTD.

PROJECT	PART NO.	B20060B3AB10C
DRAWING NO.		2006T01-3-S

1 2 3 4 5 6 7 8 9