

Recommended P.C.B Layout(Top Side)
Tolerance=±0.05

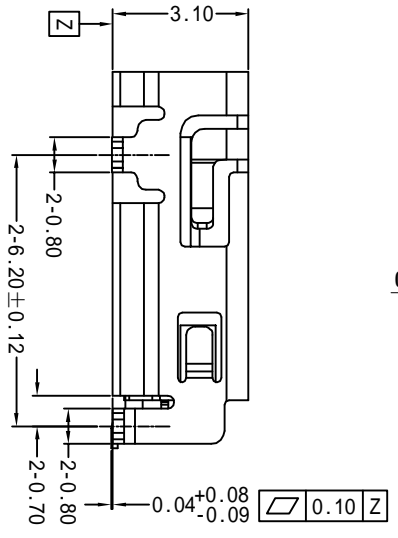
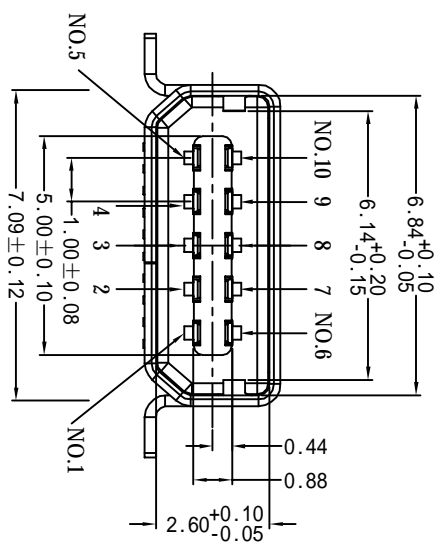
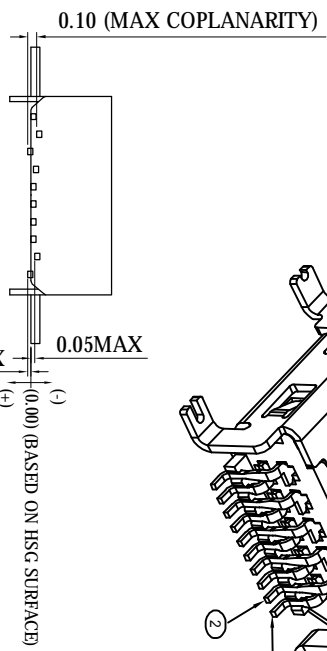
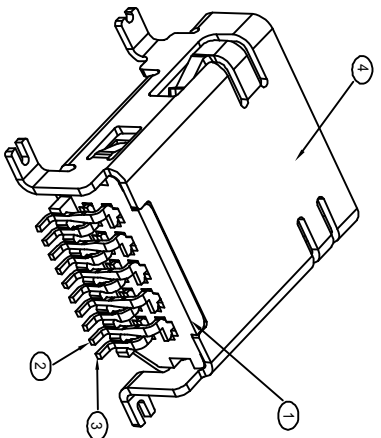
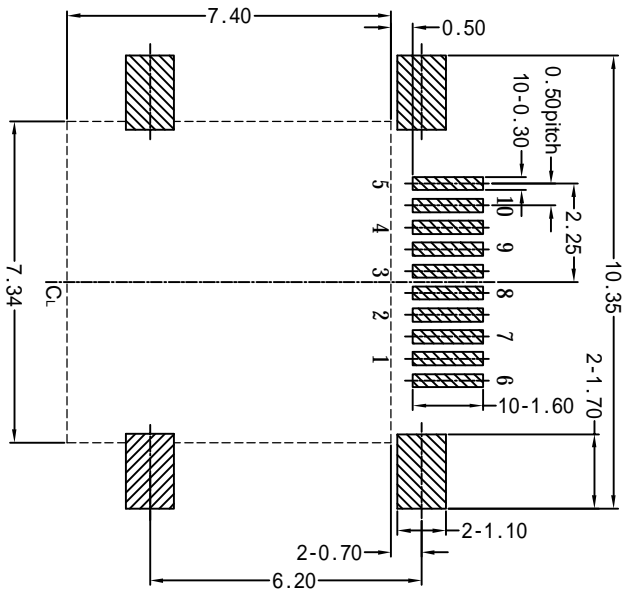


table:

N.O	品名	数量	材質
1	HOUSING	1	HIGH TEMPERATURE THERMOPLASTIC: (U194-V0)BLACK
2	CONTACT 3	5	COPPER ALLOY T-0.15mm 1.5u" or 3u" GOLD OVER ALL
3	CONTACT 4	5	COPPER ALLOY T-0.15mm 1.5u" or 3u" GOLD OVER ALL
4	SHELL	1	COPPER ALLOY T-0.25mm UNDER PLATED 50u" MIN. NICKEL OVER ALL

N.O	品名	数量	材質
1	HOUSING	1	HIGH TEMPERATURE THERMOPLASTIC: (U194-V0)BLACK
2	CONTACT 3	5	COPPER ALLOY T-0.15mm 1.5u" or 3u" GOLD OVER ALL
3	CONTACT 4	5	COPPER ALLOY T-0.15mm 1.5u" or 3u" GOLD OVER ALL
4	SHELL	1	COPPER ALLOY T-0.25mm UNDER PLATED 50u" MIN. NICKEL OVER ALL

SY-USB-1436

REV	DATE	MODIFICATION DESCRIPTION	CHANGE	APPROVE	OPERATION	DRAW	SCALE	PART NO.	TITLE:	DRAWING NO.
A0	11/06/27	NEW			~ 10 10 ~ 30 30 ~	DESIGN CHECK	8:1 mm A4		MINIUSB	
1					Angle DIM	CHECK				