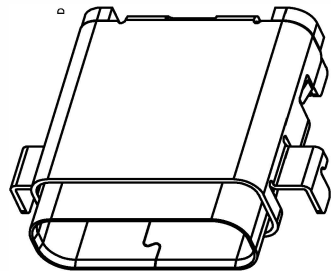
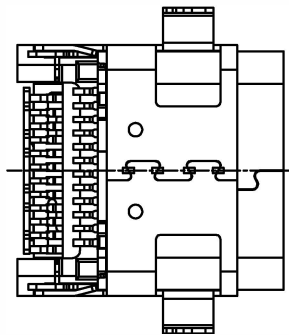
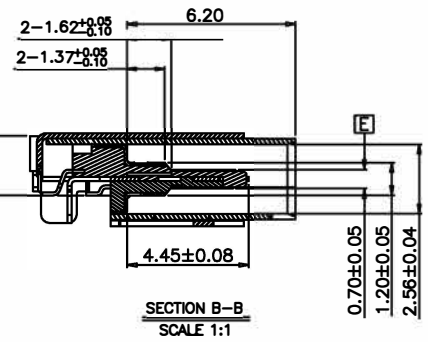
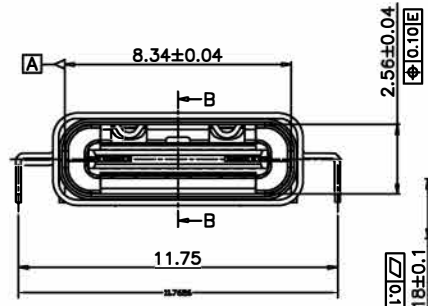
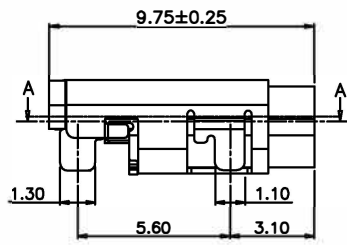
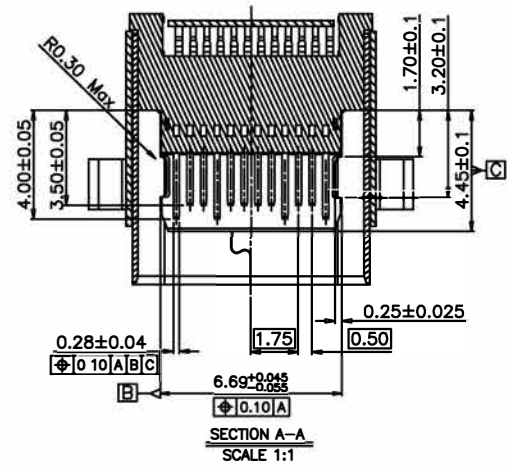
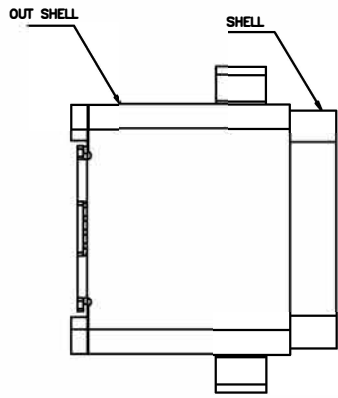


REV.	ECN.NO.	APPD.
A	/	Hexing



TOLERANCE UNLESS OTHERWISE SPECIFIED						
.XXX ±0.10	.X' ±3'					
.XX ±0.20	.XX' ±2'					
.X ±0.30						
APPROVED		PART NAME:	USB 3.1 C TYPE			
CHECKED		PART No:			C	
DRAWN		PROJECTION:	UNIT:	SCALE:	SHEET:	REV.
DATE			mm	1:1	10F1	A