



<IGBT Modules>

CM600DX-13T/CM600DXP-13T

HIGH POWER SWITCHING USE
INSULATED TYPE

| | |
|---|---|
|  <p>DX</p> | <p>Collector current I_c 600 A Collector-emitter voltage V_{CES} 650 V Maximum junction temperature T_{vjmax} 175 °C</p> <ul style="list-style-type: none"> • Flat base type • Copper base plate (Nickel-plating) • RoHS Directive compliant • Tin-plating pin terminals |
|  <p>DXP</p> | <p>Collector current I_c 600 A Collector-emitter voltage V_{CES} 650 V Maximum junction temperature T_{vjmax} 175 °C</p> <ul style="list-style-type: none"> • Flat base type • Copper base plate (Nickel-plating) • RoHS Directive compliant • Tin-plating pressfit terminals |
| <p>dual switch (half-bridge)</p> <ul style="list-style-type: none"> • UL Recognized under UL1557, File No. E323585 | |

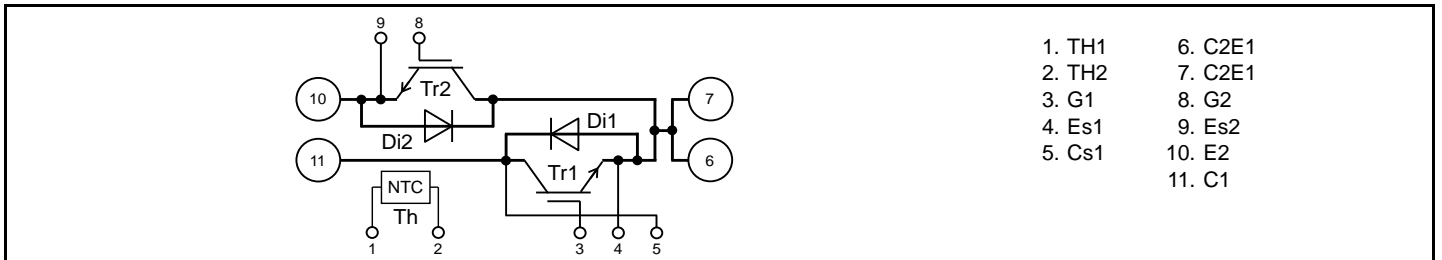
APPLICATION

AC Motor Control, Motion/Servo Control, Power supply, etc.

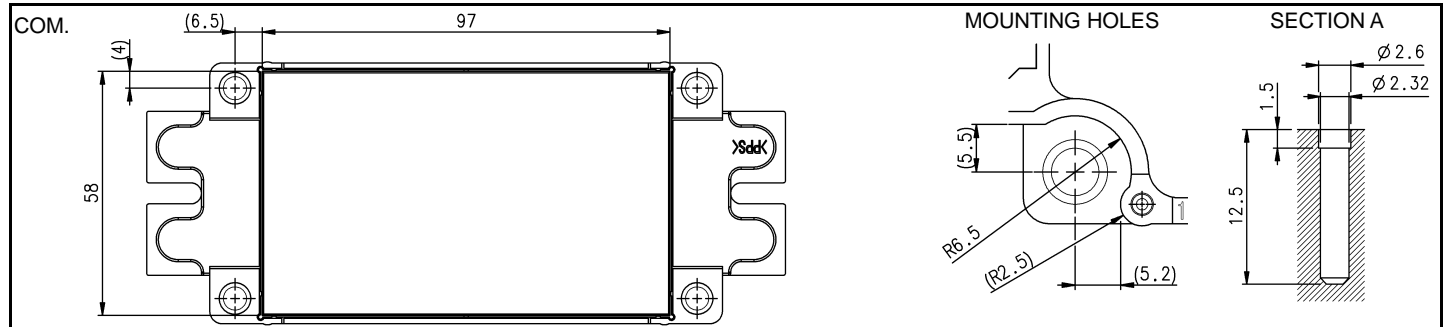
OPTION (Below options are available.)

- PC-TIM (Phase Change Thermal Interface Material) pre-apply
- V_{CEsat} selection for parallel connection

INTERNAL CONNECTION



OUTLINE DRAWING



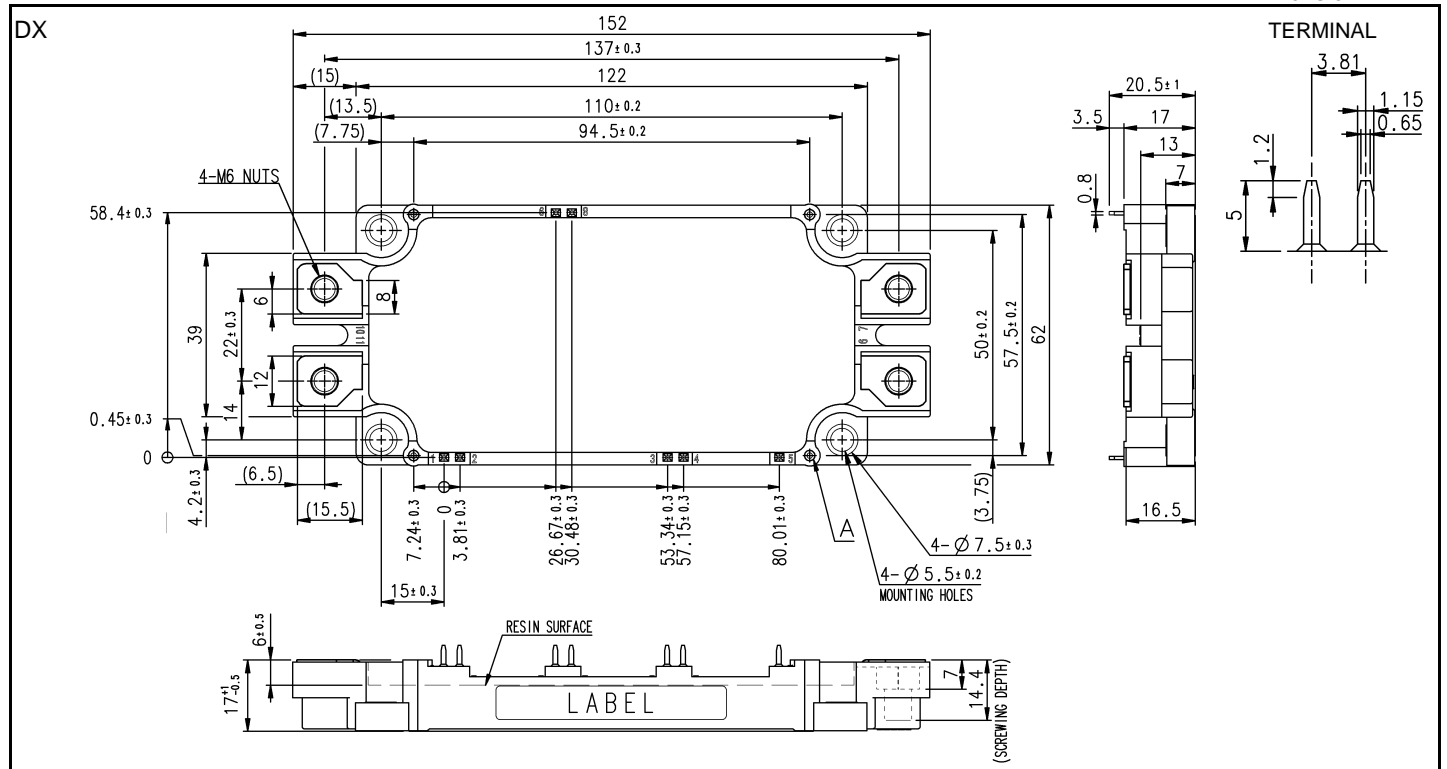
CM600DX-13T/CM600DXP-13T

HIGH POWER SWITCHING USE

INSULATED TYPE

OUTLINE DRAWING

Dimension in mm



Tolerance otherwise specified

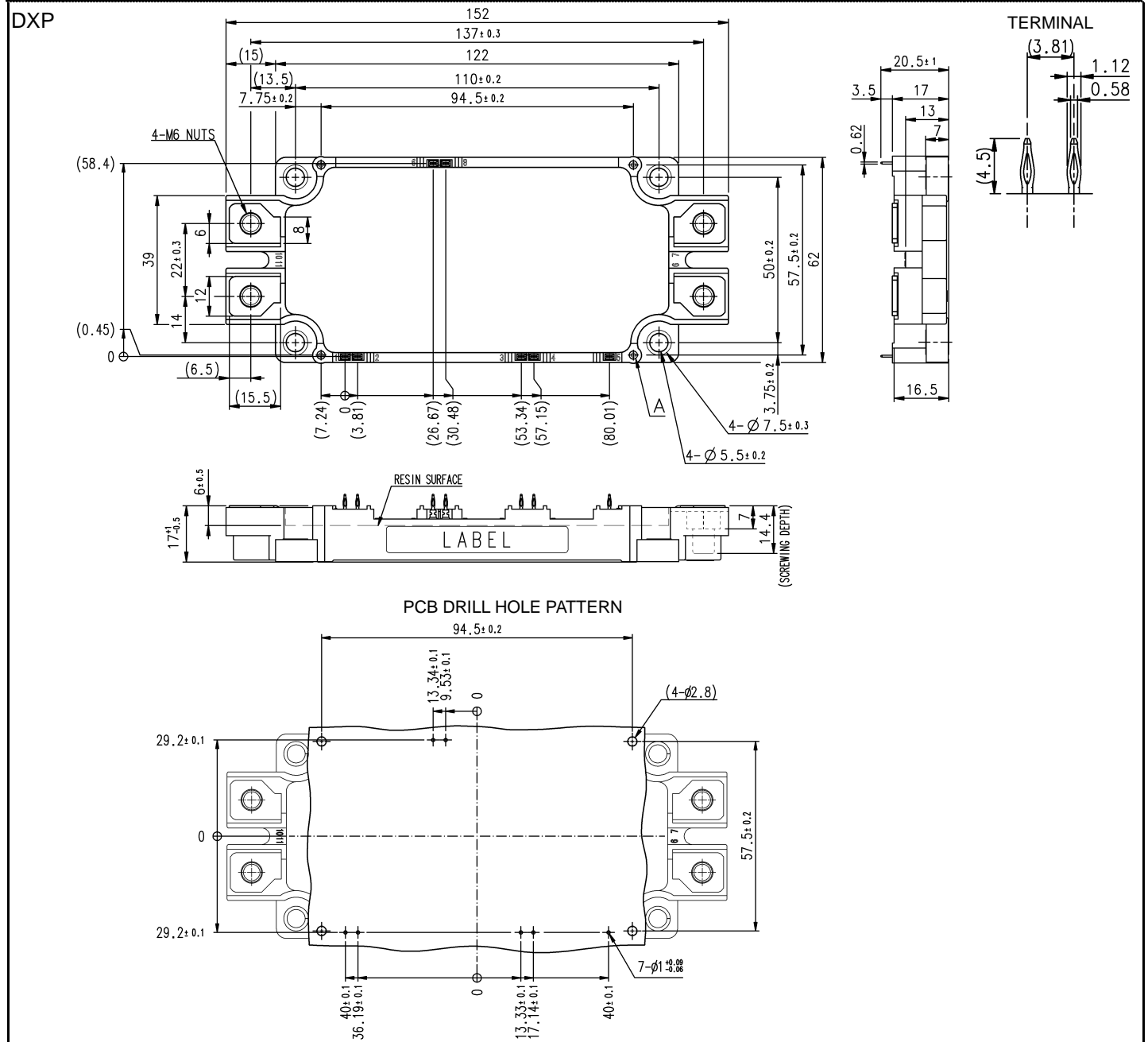
| Division of Dimension | Tolerance |
|-----------------------|-----------|
| 0.5 to 3 | ±0.2 |
| over 3 to 6 | ±0.3 |
| over 6 to 30 | ±0.5 |
| over 30 to 120 | ±0.8 |
| over 120 to 400 | ±1.2 |

CM600DX-13T/CM600DXP-13T

HIGH POWER SWITCHING USE
INSULATED TYPE

OUTLINE DRAWING

Dimension in mm



Tolerance otherwise specified

| Division of Dimension | Tolerance |
|-----------------------|-----------|
| 0.5 to 3 | ±0.2 |
| over 3 to 6 | ±0.3 |
| over 6 to 30 | ±0.5 |
| over 30 to 120 | ±0.8 |
| over 120 to 400 | ±1.2 |

CM600DX-13T/CM600DXP-13T

HIGH POWER SWITCHING USE
INSULATED TYPE

MAXIMUM RATINGS (T_{vj}=25 °C, unless otherwise specified)

INVERTER PART IGBT/FWD

| Symbol | Item | Conditions | Rating | Unit |
|--------------------------|---------------------------|---------------------------------------|--------|------|
| V _{CES} | Collector-emitter voltage | G-E short-circuited | 650 | V |
| V _{GES} | Gate-emitter voltage | C-E short-circuited | ± 20 | V |
| I _C | Collector current | DC, T _C =101 °C (Note2, 4) | 600 | A |
| I _{CRM} | | Pulse, Repetitive (Note3) | 1200 | |
| P _{tot} | Total power dissipation | T _C =25 °C (Note2, 4) | 2080 | W |
| I _E (Note1) | Emitter current | DC (Note2) | 600 | A |
| I _{ERM} (Note1) | | Pulse, Repetitive (Note3) | 1200 | |

MODULE

| Symbol | Item | Conditions | Rating | Unit |
|--------------------|--------------------------------|---|------------|------|
| V _{isol} | Isolation voltage | Terminals to base plate, RMS, f=60 Hz, AC 1 min | 2500 | V |
| T _{vjmax} | Maximum junction temperature | Instantaneous event (overload) | 175 | °C |
| T _{Cmax} | Maximum case temperature | (Note4) | 125 | |
| T _{vjop} | Operating junction temperature | Continuous operation (under switching) | -40 ~ +150 | °C |
| T _{stg} | Storage temperature | - | -40 ~ +125 | |

ELECTRICAL CHARACTERISTICS (T_{vj}=25 °C, unless otherwise specified)

INVERTER PART IGBT/FWD

| Symbol | Item | Conditions | Limits | | | Unit | |
|------------------------------------|--------------------------------------|---|-------------------------|------|------|------|---|
| | | | Min. | Typ. | Max. | | |
| I _{CES} | Collector-emitter cut-off current | V _{CE} =V _{CES} , G-E short-circuited | - | - | 1.0 | mA | |
| I _{GES} | Gate-emitter leakage current | V _{GE} =V _{GES} , C-E short-circuited | - | - | 0.5 | μA | |
| V _{GE(th)} | Gate-emitter threshold voltage | I _C =60 mA, V _{CE} =10 V | 5.4 | 6.0 | 6.6 | V | |
| V _{CEsat} (Terminal) | Collector-emitter saturation voltage | I _C =600 A, V _{GE} =15 V, Refer to the figure of test circuit (Note5) | T _{vj} =25 °C | - | 1.45 | 1.80 | V |
| V _{CEsat} (Chip) | | | T _{vj} =125 °C | - | 1.55 | - | |
| | | | T _{vj} =150 °C | - | 1.60 | - | |
| V _{CEsat} (Chip) | Collector-emitter saturation voltage | I _C =600 A, V _{GE} =15 V, (Note5) | T _{vj} =25 °C | - | 1.30 | 1.55 | V |
| V _{CEsat} (Chip) | | | T _{vj} =125 °C | - | 1.35 | - | |
| | | | T _{vj} =150 °C | - | 1.35 | - | |
| C _{ies} | Input capacitance | V _{CE} =10 V, G-E short-circuited | - | - | 80.2 | nF | |
| C _{oes} | Output capacitance | | - | - | 3.4 | | |
| C _{res} | Reverse transfer capacitance | | - | - | 1.5 | | |
| Q _G | Gate charge | V _{CC} =300 V, I _C =600 A, V _{GE} =15 V | - | 2.48 | - | μC | |
| t _{d(on)} | Turn-on delay time | V _{CC} =300 V, I _C =600 A, V _{GE} =±15 V, R _G =1.0 Ω, Inductive load | - | - | 400 | ns | |
| t _r | Rise time | | - | - | 200 | | |
| t _{d(off)} | Turn-off delay time | | - | - | 400 | | |
| t _f | Fall time | | - | - | 400 | | |
| V _{EC} (Terminal) (Note1) | Emitter-collector voltage | I _E =600 A, G-E short-circuited, Refer to the figure of test circuit (Note5) | T _{vj} =25 °C | - | 1.60 | 2.15 | V |
| V _{EC} (Chip) (Note1) | | | T _{vj} =125 °C | - | 1.65 | - | |
| | | | T _{vj} =150 °C | - | 1.65 | - | |
| V _{EC} (Chip) (Note1) | Emitter-collector voltage | I _E =600 A, G-E short-circuited, (Note5) | T _{vj} =25 °C | - | 1.45 | 1.85 | V |
| V _{EC} (Chip) (Note1) | | | T _{vj} =125 °C | - | 1.50 | - | |
| | | | T _{vj} =150 °C | - | 1.50 | - | |
| t _{rr} (Note1) | Reverse recovery time | V _{CC} =300 V, I _E =600 A, V _{GE} =±15 V, R _G =1.0 Ω, Inductive load | - | - | 500 | ns | |
| Q _{rr} (Note1) | Reverse recovery charge | R _G =1.0 Ω, Inductive load | - | 42 | - | μC | |
| E _{on} | Turn-on switching energy per pulse | V _{CC} =300 V, I _C =I _E =600 A, | - | 8.3 | - | mJ | |
| E _{off} | Turn-off switching energy per pulse | V _{GE} =±15 V, R _G =1.0 Ω, T _{vj} =150 °C, | - | 33.2 | - | | |
| E _{rr} (Note1) | Reverse recovery energy per pulse | Inductive load | - | 23.9 | - | mJ | |
| R _{CC'+EE'} | Internal lead resistance | Main terminals-chip, per switch, T _C =25 °C (Note4) | - | 0.71 | - | mΩ | |
| r _g | Internal gate resistance | Per switch | - | 1.0 | - | Ω | |

CM600DX-13T/CM600DXP-13T

HIGH POWER SWITCHING USE
INSULATED TYPE

ELECTRICAL CHARACTERISTICS (cont.; T_{vj}=25 °C, unless otherwise specified) NTC THERMISTOR PART

| Symbol | Item | Conditions | Limits | | | Unit |
|----------------------|-------------------------|---|--------|------|------|------|
| | | | Min. | Typ. | Max. | |
| R ₂₅ | Zero-power resistance | T _C =25 °C (Note4) | 4.85 | 5.00 | 5.15 | kΩ |
| ΔR/R | Deviation of resistance | R ₁₀₀ =493 Ω, T _C =100 °C (Note4) | -7.3 | - | +7.8 | % |
| B _(25/50) | B-constant | Approximate by equation (Note6) | - | 3375 | - | K |
| P ₂₅ | Power dissipation | T _C =25 °C (Note4) | - | - | 10 | mW |

THERMAL RESISTANCE CHARACTERISTICS

| Symbol | Item | Conditions | Limits | | | Unit |
|-----------------------|----------------------------|--|--------|------|------|------|
| | | | Min. | Typ. | Max. | |
| R _{th(j-c)Q} | Thermal resistance | Junction to case, per Inverter IGBT (Note4) | - | - | 72 | K/kW |
| R _{th(j-c)D} | | Junction to case, per Inverter FWD (Note4) | - | - | 111 | |
| R _{th(c-s)} | Contact thermal resistance | Case to heat sink, Thermal grease applied (Note4, 7) | - | 11.5 | - | K/kW |
| | | per 1 module, PC-TIM applied (Note4, 8) | - | 3.1 | - | |

MECHANICAL CHARACTERISTICS

| Symbol | Item | Conditions | Limits | | | Unit | |
|----------------|------------------------|---------------------------------|------------------------|------|------|------|----|
| | | | Min. | Typ. | Max. | | |
| M _t | Mounting torque | Main terminals M 6 screw | 3.5 | 4.0 | 4.5 | N·m | |
| M _s | Mounting torque | Mounting to heat sink M 5 screw | 2.5 | 3.0 | 3.5 | N·m | |
| d _s | Creepage distance | Solder pin type (DX) | Terminal to terminal | 17 | - | - | mm |
| | | | Terminal to base plate | 16.4 | - | - | |
| | | Pressfit pin type (DXP) | Terminal to terminal | 17 | - | - | mm |
| | | | Terminal to base plate | 16.8 | - | - | |
| d _a | Clearance | Solder pin type (DX) | Terminal to terminal | 10 | - | - | mm |
| | | | Terminal to base plate | 16.2 | - | - | |
| | | Pressfit pin type (DXP) | Terminal to terminal | 10 | - | - | mm |
| | | | Terminal to base plate | 16.2 | - | - | |
| e _c | Flatness of base plate | On the centerline X, Y (Note9) | ±0 | - | +200 | μm | |
| m | mass | - | - | 300 | - | g | |

*: This product is compliant with the Restriction of the Use of Certain Hazardous Substances in Electrical and Electronic Equipment (RoHS) directive 2011/65/EU.

Note1. Represent ratings and characteristics of the anti-parallel, emitter-collector free-wheeling diode (FWD).

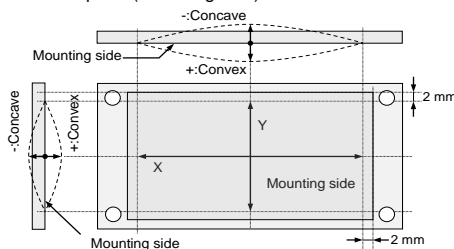
- Junction temperature (T_{vj}) should not increase beyond T_{vjmax} rating.
- Pulse width and repetition rate should be such that the device junction temperature (T_{vj}) dose not exceed T_{vjmax} rating.
- Case temperature (T_C) and heat sink temperature (T_S) are defined on the each surface (mounting side) of base plate and heat sink just under the chips.
Refer to the figure of chip location.
- Pulse width and repetition rate should be such as to cause negligible temperature rise. Refer to the figure of test circuit.

$$6. B_{(25/50)} = \ln\left(\frac{R_{25}}{R_{50}}\right) / \left(\frac{1}{T_{25}} - \frac{1}{T_{50}}\right)$$

R₂₅: resistance at absolute temperature T₂₅ [K]; T₂₅=25 [°C]+273.15=298.15 [K]

R₅₀: resistance at absolute temperature T₅₀ [K]; T₅₀=50 [°C]+273.15=323.15 [K]

- Typical value is measured by using thermally conductive grease of λ=0.9 W/(m·K)/D_(c-s)=50 μm.
- Typical value is measured by using PC-TIM of λ=3.4 W/(m·K)/D_(c-s)=50 μm.
- The base plate (mounting side) flatness measurement points (X, Y) are shown in the following figure.



CM600DX-13T/CM600DXP-13T

HIGH POWER SWITCHING USE

INSULATED TYPE

Note10. Use the following screws when mounting the printed circuit board (PCB) on the standoffs.

PCB thickness : t=1.6.

| Type | Manufacturer | Size | Tightening torque (N·m) | Recommended tightening method |
|----------------------|--------------|--------------------|-------------------------|--|
| (1) PT® | EJOT | K25×8 | 0.55 ± 0.055 | by handwork (equivalent to 30 rpm by mechanical screw driver) ~ 600 rpm (by mechanical screw driver) |
| (2) PT® | | K25×10 | 0.75 ± 0.075 N·m | |
| (3) DELTA PT® | | 25×8 | 0.55 ± 0.055 N·m | |
| (4) DELTA PT® | | 25×10 | 0.75 ± 0.075 N·m | |
| (5) B1 tapping screw | - | φ2.6×10 φ2.6×12 | 0.75 ± 0.075 N·m | |

RECOMMENDED OPERATING CONDITIONS

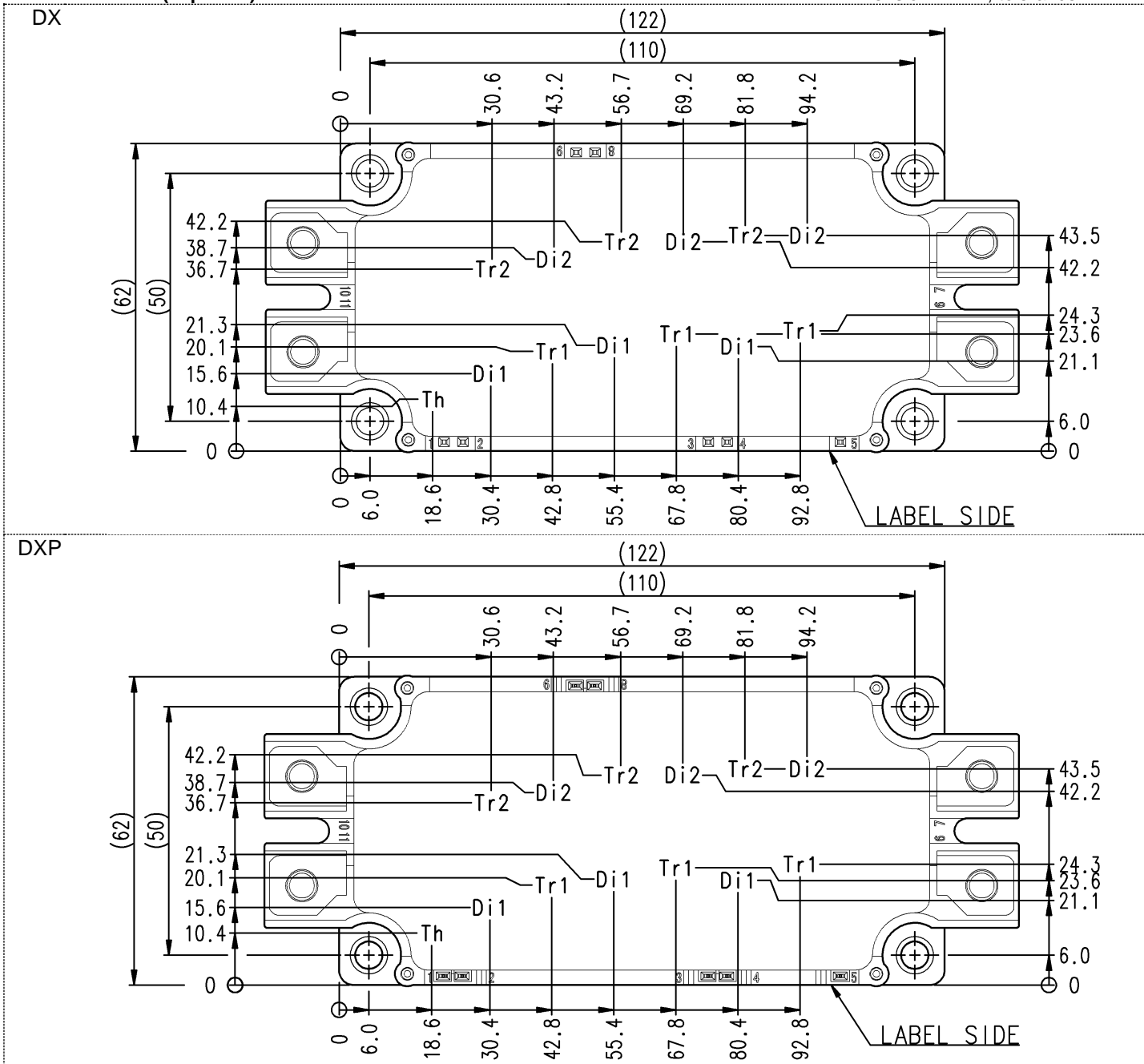
| Symbol | Item | Conditions | Limits | | | Unit |
|-------------------|-------------------------------|--|--------|------|------|------|
| | | | Min. | Typ. | Max. | |
| V _{CC} | (DC) Supply voltage | Applied across C1-E2 terminals | - | 300 | 450 | V |
| V _{GEon} | Gate (-emitter drive) voltage | Applied across G1-E1s/G2-E2s terminals | 13.5 | 15.0 | 16.5 | V |
| R _G | External gate resistance | Per switch | 1.0 | - | 10 | Ω |

CM600DX-13T/CM600DXP-13T

HIGH POWER SWITCHING USE
INSULATED TYPE

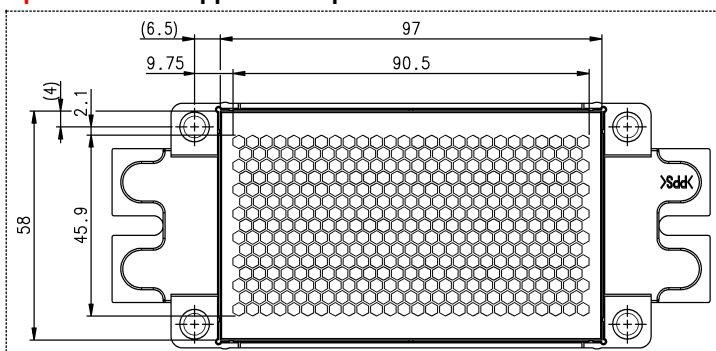
CHIP LOCATION (Top view)

Dimension in mm, tolerance: ± 1 mm



Tr1/Tr2: IGBT, Di1/Di2: FWD, Th: NTC thermistor

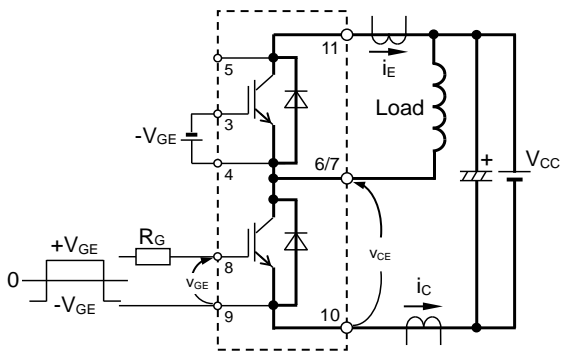
Option: PC-TIM applied baseplate outline



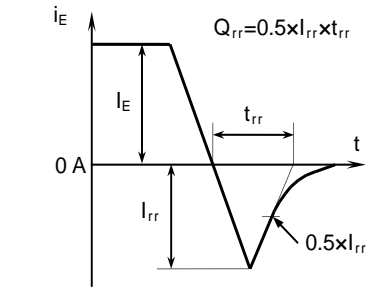
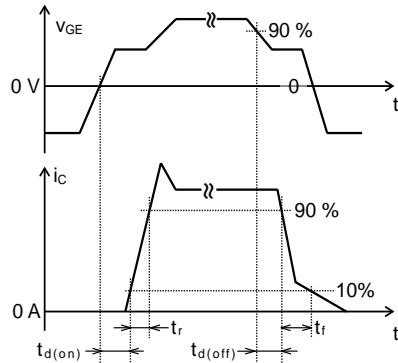
CM600DX-13T/CM600DXP-13T

HIGH POWER SWITCHING USE
INSULATED TYPE

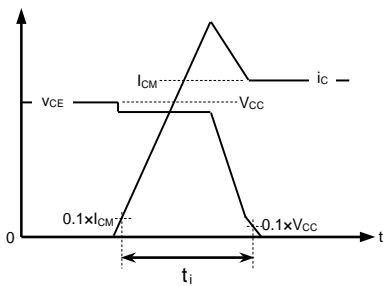
TEST CIRCUIT AND WAVEFORMS



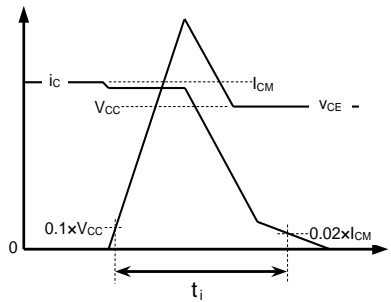
Switching characteristics test circuit and waveforms



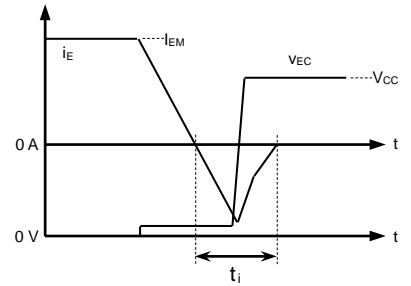
t_{rr} , Q_{rr} characteristics test waveform



IGBT Turn-on switching energy



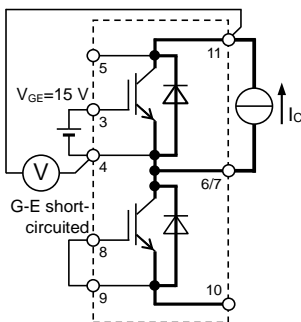
IGBT Turn-off switching energy



FWD Reverse recovery energy

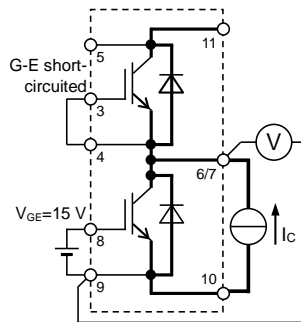
Switching energy and Reverse recovery energy test waveforms (Integral time instruction drawing)

TEST CIRCUIT

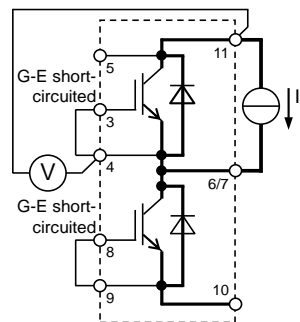


Tr1

V_{CESat} characteristics test circuit

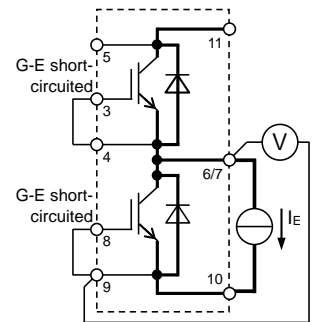


Tr2



Di1

V_{EC} characteristics test circuit



Di2

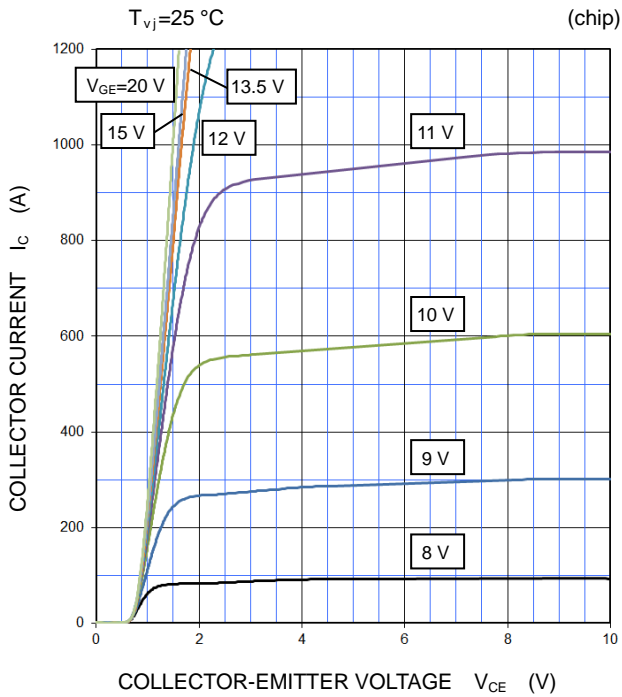
<IGBT Modules>
CM600DX-13T/CM600DXP-13T
 HIGH POWER SWITCHING USE
 INSULATED TYPE

PERFORMANCE CURVES

INVERTER PART

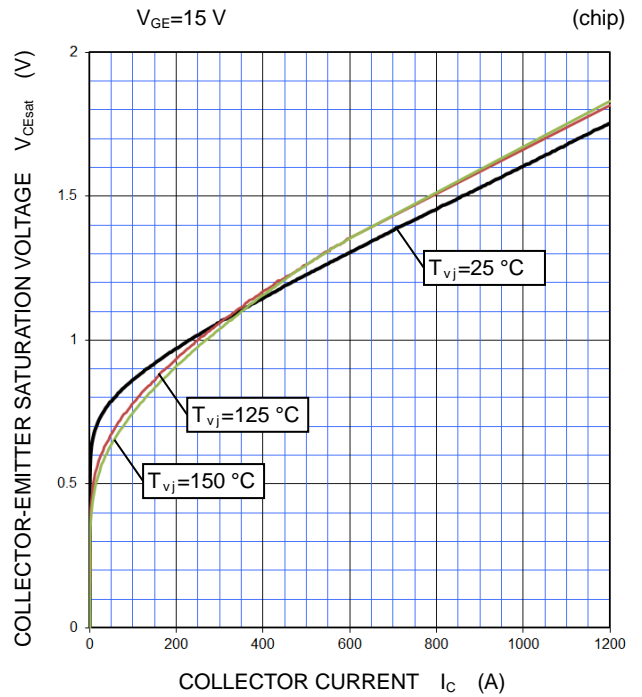
OUTPUT CHARACTERISTICS

(TYPICAL)



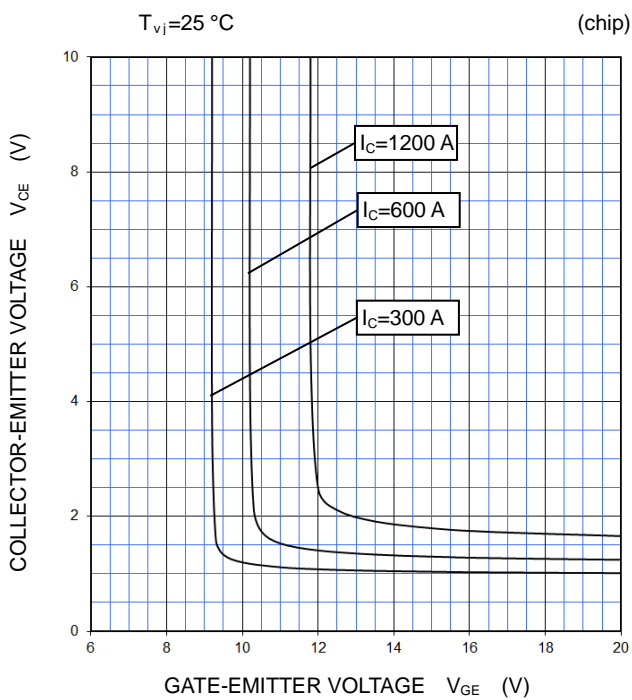
COLLECTOR-EMITTER SATURATION VOLTAGE CHARACTERISTICS

(TYPICAL)



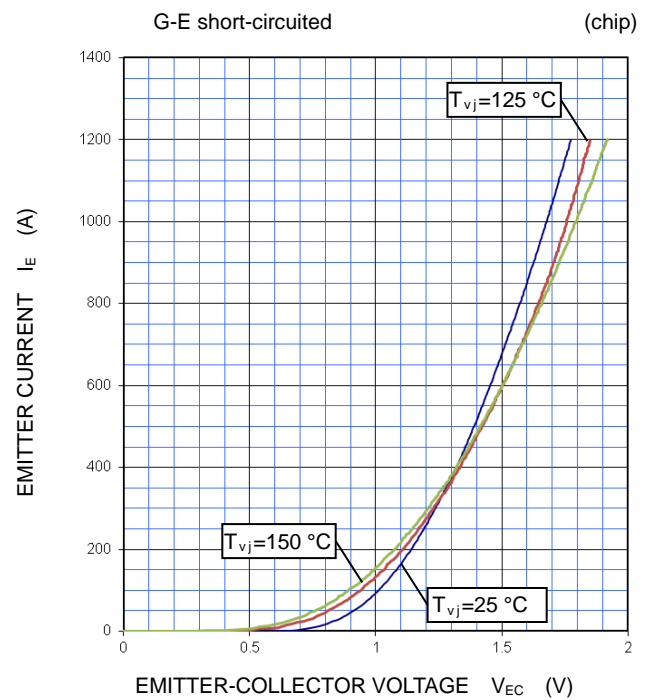
COLLECTOR-EMITTER VOLTAGE CHARACTERISTICS

(TYPICAL)



FREE WHEELING DIODE FORWARD CHARACTERISTICS

(TYPICAL)



CM600DX-13T/CM600DXP-13T

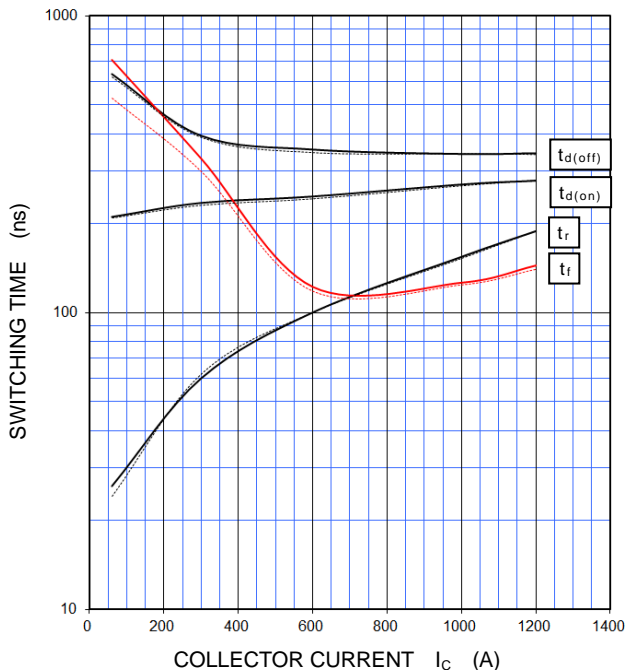
HIGH POWER SWITCHING USE
INSULATED TYPE

PERFORMANCE CURVES

INVERTER PART

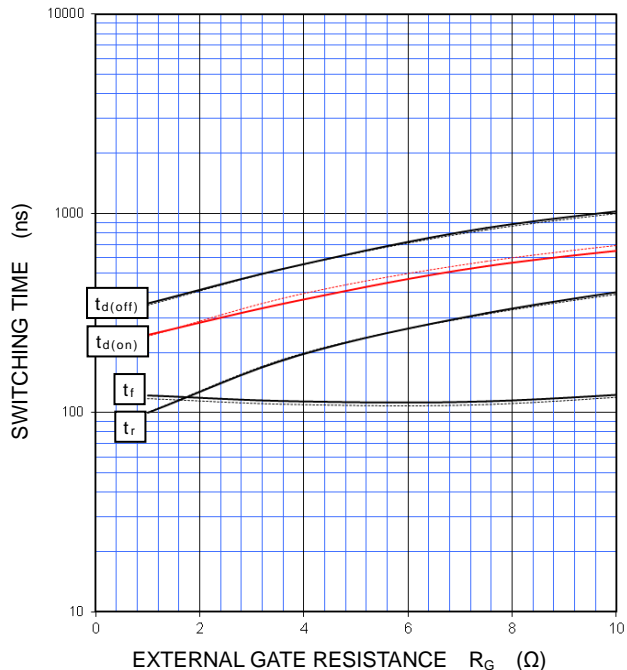
HALF-BRIDGE SWITCHING CHARACTERISTICS (TYPICAL)

$V_{CC}=300\text{ V}$, $R_G=1.0\ \Omega$, $V_{GE}=\pm 15\text{ V}$, INDUCTIVE LOAD
 —: $T_{vj}=150\text{ }^\circ\text{C}$, - - - -: $T_{vj}=125\text{ }^\circ\text{C}$



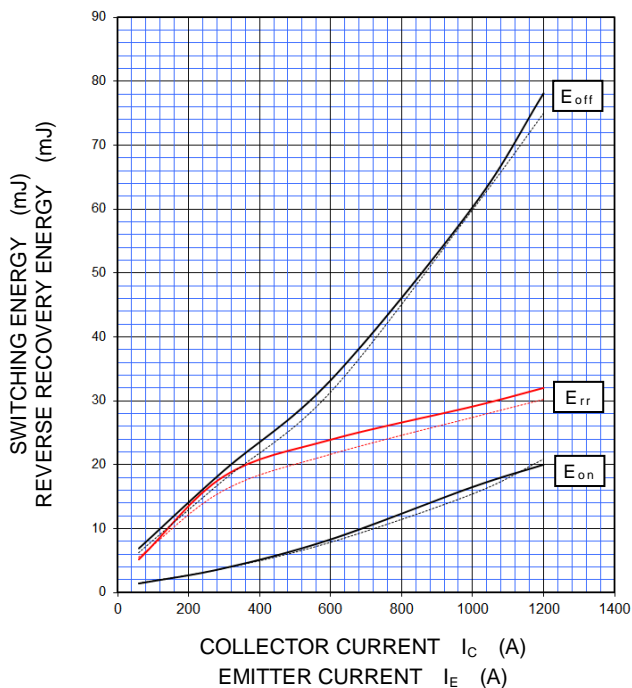
HALF-BRIDGE SWITCHING CHARACTERISTICS (TYPICAL)

$V_{CC}=300\text{ V}$, $I_C=600\text{ A}$, $V_{GE}=\pm 15\text{ V}$, INDUCTIVE LOAD
 —: $T_{vj}=150\text{ }^\circ\text{C}$, - - - -: $T_{vj}=125\text{ }^\circ\text{C}$



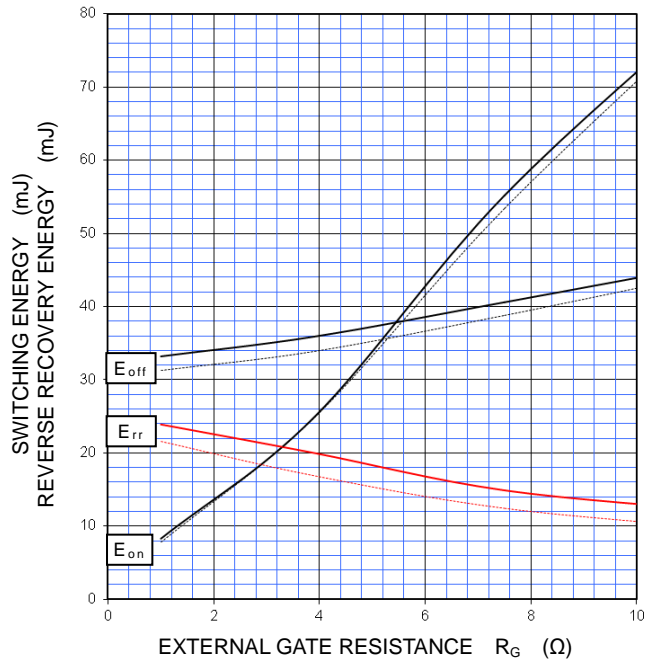
HALF-BRIDGE SWITCHING CHARACTERISTICS (TYPICAL)

$V_{CC}=300\text{ V}$, $R_G=1.0\ \Omega$, $V_{GE}=\pm 15\text{ V}$, INDUCTIVE LOAD,
 —: $T_{vj}=150\text{ }^\circ\text{C}$, - - - -: $T_{vj}=125\text{ }^\circ\text{C}$, PER PULSE



HALF-BRIDGE SWITCHING CHARACTERISTICS (TYPICAL)

$V_{CC}=300\text{ V}$, $I_C/I_E=600\text{ A}$, $V_{GE}=\pm 15\text{ V}$, INDUCTIVE LOAD,
 —: $T_{vj}=150\text{ }^\circ\text{C}$, - - - -: $T_{vj}=125\text{ }^\circ\text{C}$, PER PULSE



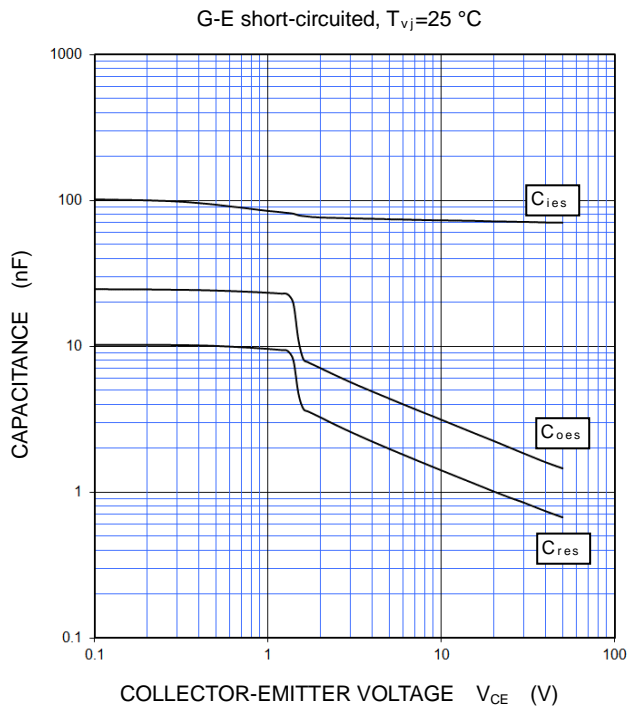
CM600DX-13T/CM600DXP-13T

HIGH POWER SWITCHING USE
INSULATED TYPE

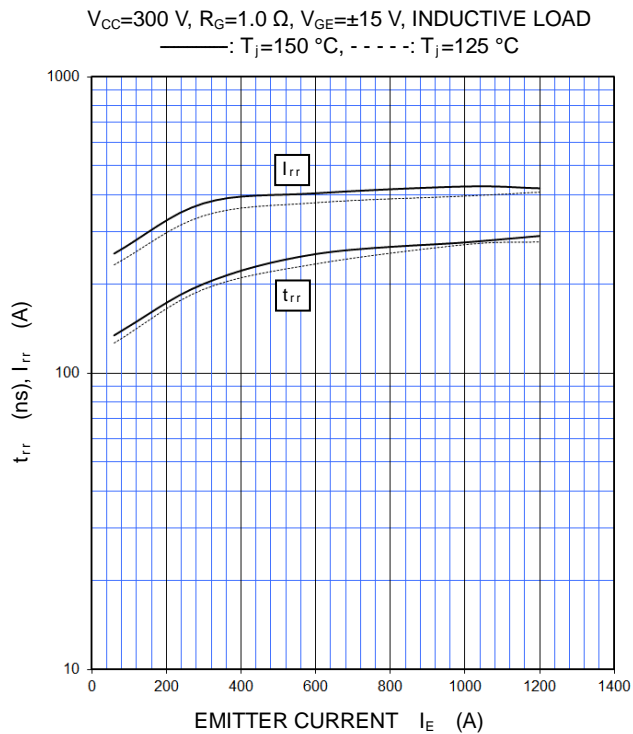
PERFORMANCE CURVES

INVERTER PART

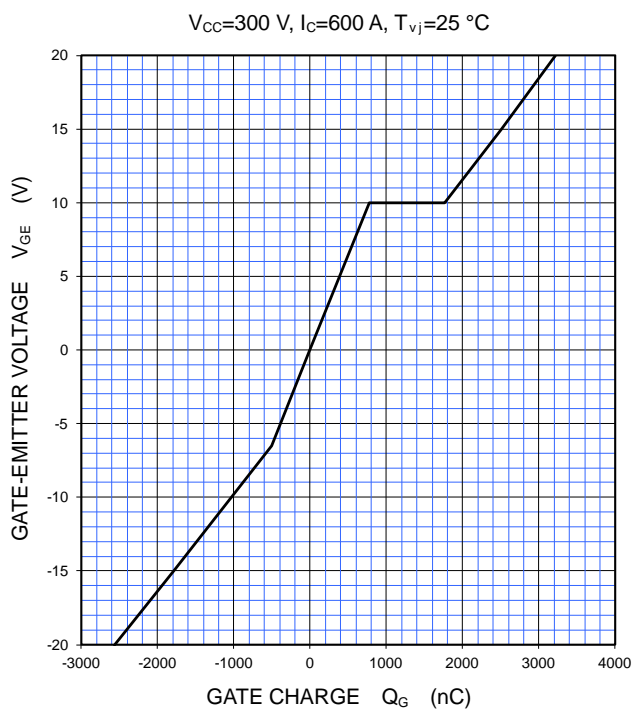
CAPACITANCE CHARACTERISTICS (TYPICAL)



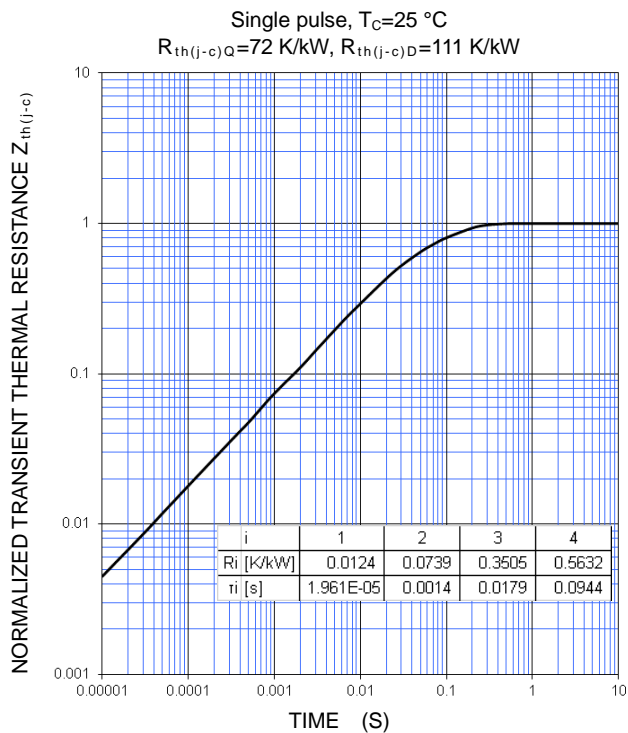
FREE WHEELING DIODE REVERSE RECOVERY CHARACTERISTICS (TYPICAL)



GATE CHARGE CHARACTERISTICS (TYPICAL)



TRANSIENT THERMAL IMPEDANCE CHARACTERISTICS (MAXIMUM)



CM600DX-13T/CM600DXP-13T

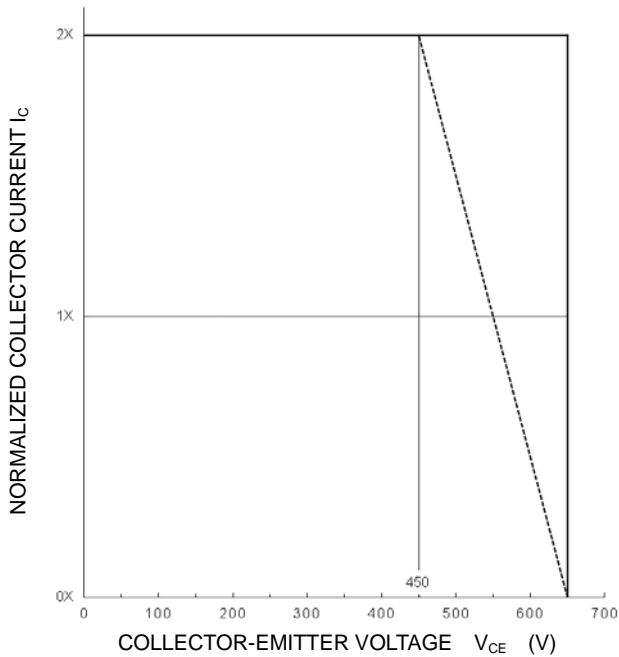
HIGH POWER SWITCHING USE
INSULATED TYPE

PERFORMANCE CURVES

INVERTER PART

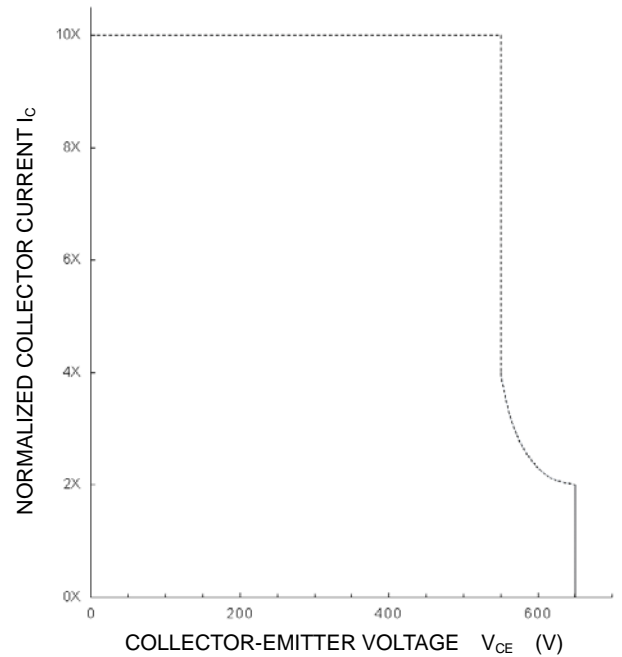
TURN-OFF SWITCHING SAFE OPERATING AREA (REVERSE BIAS SAFE OPERATING AREA) (MAXIMUM)

$V_{CC} \leq 450 \text{ V}$, $R_G = 1.0 \sim 10 \ \Omega$, $V_{GE} = \pm 15 \text{ V}$,
 ———: $T_{vj} = 25 \sim 150 \text{ }^\circ\text{C}$ (Normal load operations (Continuous))
 - - - - -: $T_{vj} = 175 \text{ }^\circ\text{C}$ (Unusual load operations (Limited period))



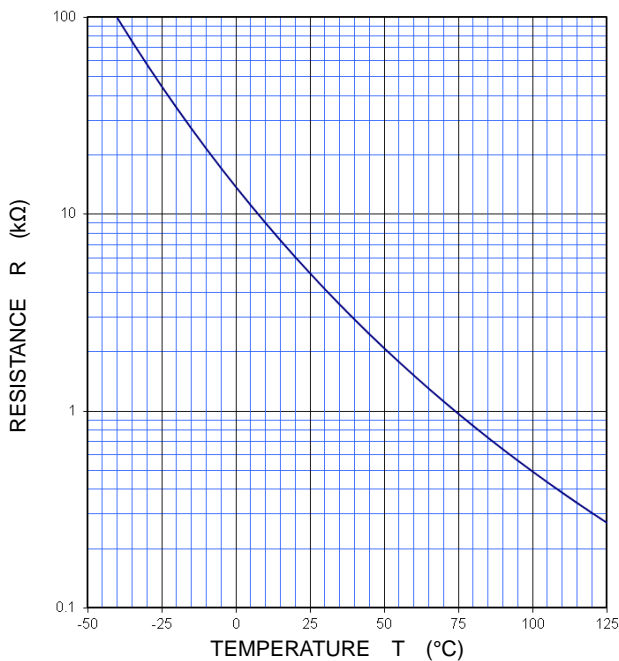
SHORT-CIRCUIT SAFE OPERATING AREA (MAXIMUM)

$V_{CC} \leq 400 \text{ V}$, $R_G = 1.0 \sim 10 \ \Omega$, $V_{GE} = \pm 15 \text{ V}$,
 $T_{vj} = 25 \sim 150 \text{ }^\circ\text{C}$, $t_W \leq 8 \ \mu\text{s}$, Non-Repetitive



NTC thermistor part

TEMPERATURE CHARACTERISTICS (TYPICAL)



Note: The characteristics curves are presented for reference only and not guaranteed by production test, unless otherwise noted.

Keep safety first in your circuit designs!

This product is designed for industrial application purpose. The performance, the quality and support level of the product is guaranteed by "Customer's Std. Spec."

Mitsubishi Electric Corporation puts its reasonable effort into making semiconductor products better and more reliable, but there is always the possibility that trouble may occur with them by the reliability lifetime such as Power Cycle, Thermal Cycle or others, or to be used under special circumstances (e.g. high humidity, dusty, salty, highlands, environment with lots of organic matter / corrosive gas / explosive gas, or situation which terminal of semiconductor products is received strong mechanical stress).

In the customer's research and development, please evaluate it not only with a single semiconductor product but also in the entire system, and judge whether it's applicable. Furthermore, trouble with semiconductors may lead to personal injury, fire or property damage. Remember to give due consideration to safety when making your circuit designs, with appropriate measures such as (i) placement of substitutive, auxiliary circuits (e.g. appropriate fuse or circuit breaker between a power supply and semiconductor products), (ii) use of non-flammable material or (iii) prevention against any malfunction or mishap.

Notes regarding these materials

- These materials are intended as a reference to assist our customers in the selection of the Mitsubishi semiconductor product best suited to the customer's application; they do not convey any license under any intellectual property rights, or any other rights, belonging to Mitsubishi Electric Corporation or a third party.

- Mitsubishi Electric Corporation assumes no responsibility for any damage, or infringement of any third-party's rights, originating in the use of any product data, diagrams, charts, or circuit application examples contained in these materials.

- All information contained in these materials, including product data, diagrams and charts represents information on products at the time of publication of these materials, and are subject to change by Mitsubishi Electric Corporation without notice due to product improvements or other reasons. It is therefore recommended that customers contact Mitsubishi Electric Corporation or an authorized Mitsubishi Semiconductor product distributor for the latest product information before purchasing a product listed herein.

The information described here may contain technical inaccuracies or typographical errors. Mitsubishi Electric Corporation assumes no responsibility for any damage, liability, or other loss rising from these inaccuracies or errors.

Please also pay attention to information published by Mitsubishi Electric Corporation by various means, including the Mitsubishi Semiconductor home page (www.MitsubishiElectric.com/semiconductors/).

- When using any or all of the information contained in these materials, including product data, diagrams, and charts, please be sure to evaluate all information as a total system before making a final decision on the applicability of the information and products. Mitsubishi Electric Corporation assumes no responsibility for any damage, liability or other loss resulting from the information contained herein.

- Mitsubishi Electric Corporation semiconductors are not designed or manufactured for use in a device or system that is used under circumstances in which human life is potentially at stake. Therefore, this product should not be used in such applications. Please contact Mitsubishi Electric Corporation or an authorized Mitsubishi Semiconductor product distributor when considering the use of a product contained herein for any specific purposes, such as apparatus or systems for transportation, vehicular, medical, aerospace, nuclear, or undersea repeater use.

- In the case of new requirement is available, this material will be revised upon consultation.

- The prior written approval of Mitsubishi Electric Corporation is necessary to reprint or reproduce in whole or in part these materials.

- If these products or technologies are subject to the Japanese export control restrictions, they must be exported under a license from the Japanese government and cannot be imported into a country other than the approved destination.

Any diversion or re-export contrary to the export control laws and regulations of Japan and/or the country of destination is prohibited.

- Please contact Mitsubishi Electric Corporation or an authorized Mitsubishi Semiconductor product distributor for further details on these materials or the products contained therein.

Generally the listed company name and the brand name are the trademarks or registered trademarks of the respective companies.