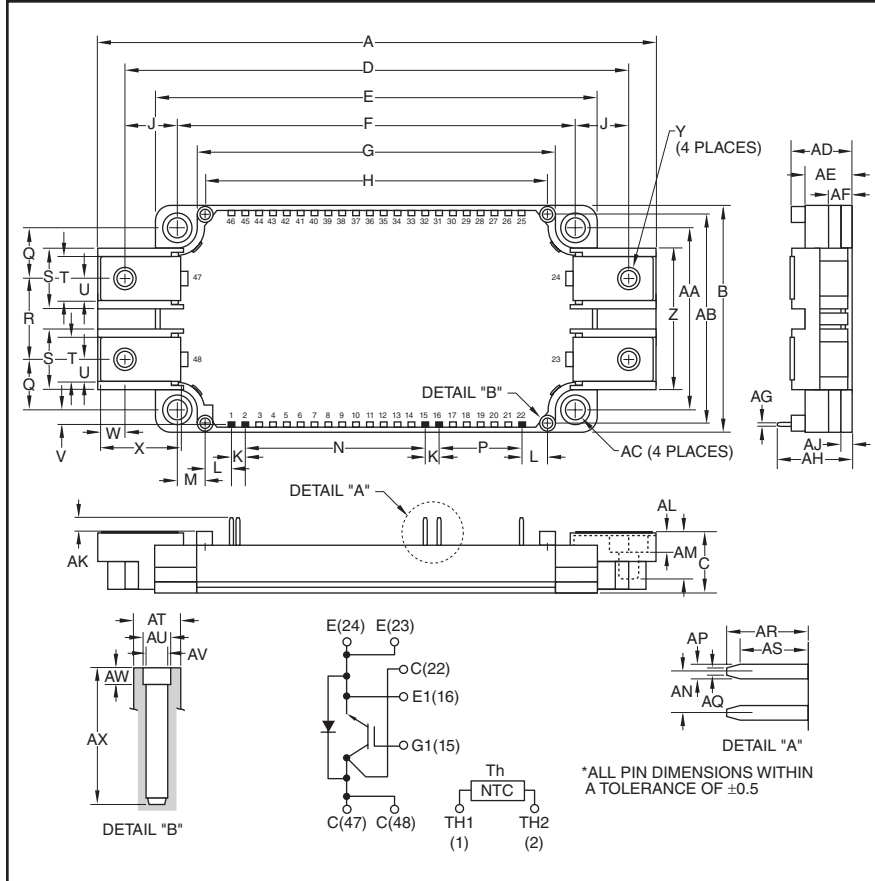


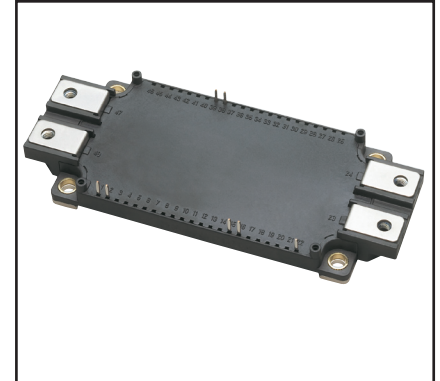
### Single IGBTMOD™ NX-Series Module 600 Amperes/600 Volts



Outline Drawing and Circuit Diagram

Dimensions	Inches	Millimeters
A	5.98	152.0
B	2.44	62.0
C	0.67	17.0
D	5.39	137.0
E	4.79	121.7
F	4.33±0.02	110.0±0.5
G	3.89	99.0
H	3.72	94.5
J	0.53	13.5
K	0.15	3.8
L	0.28	7.25
M	0.30	7.75
N	1.95	49.54
P	0.9	22.86
Q	0.55	14.0
R	0.87	22.0
S	0.67	17.0
T	0.48	12.0
U	0.24	6.0
V	0.16	4.2
W	0.37	6.5
X	0.83	21.14
Y	M6	M6

Dimensions	Inches	Millimeters
Z	1.53	39.0
AA	1.97±0.02	50.0±0.5
AB	2.26	57.5
AC	0.22 Dia.	5.5 Dia.
AD	0.67+0.04/-0.02	17.0+1.0/-0.5
AE	0.51	13.0
AF	0.27	7.0
AG	0.03	0.8
AH	0.81	20.5
AJ	0.12	3.0
AK	0.14	3.5
AL	0.21	5.4
AM	0.49	12.5
AN	0.15	3.81
AP	0.05	1.15
AQ	0.025	0.65
AR	0.29	7.4
AS	0.24	6.2
AT	0.17 Dia.	4.3 Dia.
AU	0.10 Dia.	2.5 Dia.
AV	0.08 Dia.	2.1 Dia.
AW	0.06	1.5
AX	0.49	12.5



#### Description:

Powerex IGBTMOD™ Modules are designed for use in switching applications. Each module consists of one IGBT Transistor in a single configuration with a reverse connected super-fast recovery free-wheel diode. All components and interconnects are isolated from the heat sinking baseplate, offering simplified system assembly and thermal management.

#### Features:

- Low Drive Power
- Low  $V_{CE(sat)}$
- Discrete Super-Fast Recovery Free-Wheel Diode
- Isolated Baseplate for Easy Heat Sinking

#### Applications:

- AC Motor Control
- Motion/Servo Control
- Photovoltaic/Fuel Cell

#### Ordering Information:

Example: Select the complete module number you desire from the table below -i.e. CM600HX-12A is a 600V ( $V_{CES}$ ), 600 Ampere Single IGBTMOD™ Power Module.

Type	Current Rating Amperes	$V_{CES}$ Volts (x 50)
CM	600	12

**CM600HX-12A**  
**Single IGBTMOD™ NX-Series Module**  
 600 Amperes/600 Volts

**Absolute Maximum Ratings,  $T_j = 25^\circ\text{C}$  unless otherwise specified**

Characteristics	Symbol	CM600HX-12A	Units
Power Device Junction Temperature	$T_j$	-40 to 150	$^\circ\text{C}$
Storage Temperature	$T_{stg}$	-40 to 125	$^\circ\text{C}$
Mounting Torque, M5 Mounting Screws	—	31	in-lb
Mounting Torque, M6 Main Terminal Screws	—	40	in-lb
Module Weight (Typical)	—	330	Grams
Baseplate Flatness, On Centerline X, Y (See Below)	—	$\pm 0 \sim +100$	$\mu\text{m}$
Isolation Voltage, AC 1 minute, 60Hz Sinusoidal	$V_{ISO}$	2500	Volts

**Inverter Sector**

Collector-Emitter Voltage (G-E Short)	$V_{CES}$	600	Volts
Gate-Emitter Voltage (C-E Short)	$V_{GES}$	$\pm 20$	Volts
Collector Current ( $T_C = 55^\circ\text{C}$ )*1*4*9	$I_C$	600	Amperes
Peak Collector Current (Pulse)*3	$I_{CM}$	1200	Amperes
Emitter Current ( $T_C = 25^\circ\text{C}$ )*1*4*9	$I_E^{*2}$	600	Amperes
Peak Emitter Current (Pulse)*3	$I_{EM}^{*2}$	1200	Amperes
Maximum Collector Dissipation ( $T_C = 25^\circ\text{C}$ )*1*4	$P_C$	1890	Watts

\*1 Case temperature ( $T_C$ ) and heatsink temperature ( $T_f$ ) are defined on the surface of the baseplate and heatsink at just under the chip.

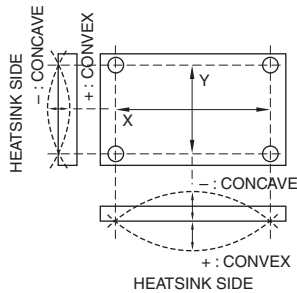
\*2  $I_E$ ,  $I_{EM}$ ,  $V_{EC}$ ,  $t_{rr}$  and  $Q_{rr}$  represent ratings and characteristics of the anti-parallel, emitter-to-collector free-wheel diode (FWDi).

\*3 Pulse width and repetition rate should be such that device junction temperature ( $T_j$ ) does not exceed  $T_{j(max)}$  rating.

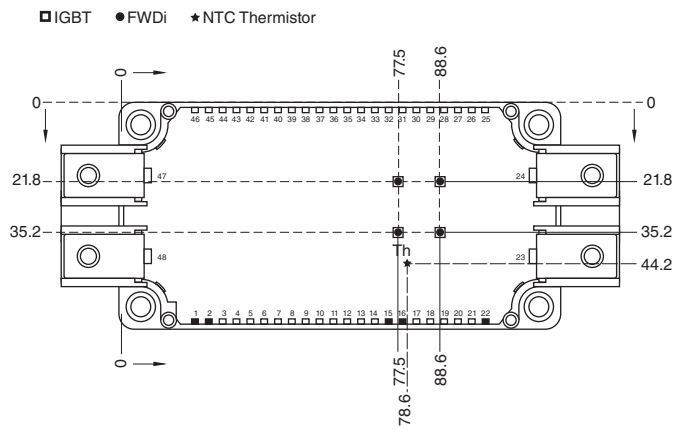
\*4 Junction temperature ( $T_j$ ) should not increase beyond  $T_{j(max)}$  rating.

\*9 Use both of each main terminal (collector and emitter) to connect external wiring.

**BASEPLATE FLATNESS MEASUREMENT POINT**



**CHIP LOCATION (TOP VIEW)**



Dimensions in mm (Tolerance:  $\pm 1\text{mm}$ )

**CM600HX-12A**  
**Single IGBTMOD™ NX-Series Module**  
 600 Amperes/600 Volts

**Electrical and Mechanical Characteristics,  $T_j = 25^\circ\text{C}$  unless otherwise specified**

**Inverter Sector**

Characteristics	Symbol	Test Conditions	Min.	Typ.	Max.	Units
Collector Cutoff Current	$I_{CES}$	$V_{CE} = V_{CES}, V_{GE} = 0V$	—	—	1.0	mA
Gate-Emitter Threshold Voltage	$V_{GE(th)}$	$I_C = 60mA, V_{CE} = 10V$	5	6	7	Volts
Gate Leakage Current	$I_{GES}$	$V_{GE} = V_{GES}, V_{CE} = 0V$	—	—	0.5	$\mu A$
Collector-Emitter Saturation Voltage	$V_{CE(sat)}$	$I_C = 600A, V_{GE} = 15V, T_j = 25^\circ\text{C}^{*5}$	—	1.7	2.1	Volts
		$I_C = 600A, V_{GE} = 15V, T_j = 125^\circ\text{C}^{*5}$	—	1.9	—	Volts
		$I_C = 600A, V_{GE} = 15V, \text{Chip}$	—	1.6	—	Volts
Input Capacitance	$C_{ies}$		—	—	69.0	nF
Output Capacitance	$C_{oes}$	$V_{CE} = 10V, V_{GE} = 0V$	—	—	8.0	nF
Reverse Transfer Capacitance	$C_{res}$		—	—	2.4	nF
Total Gate Charge	$Q_G$	$V_{CC} = 300V, I_C = 600A, V_{GE} = 15V$	—	1600	—	nC
Inductive	Turn-on Delay Time	$t_{d(on)}$	—	—	700	ns
Load	Turn-on Rise Time	$t_r$	$V_{CC} = 300V, I_C = 600A,$		250	ns
Switch	Turn-off Delay Time	$t_{d(off)}$	$V_{GE} = \pm 15V,$		700	ns
Time	Turn-off Fall Time	$t_f$	$R_G = 1.0\Omega, I_E = 600A,$		600	ns
Reverse Recovery Time	$t_{rr}^{*2}$	Inductive Load Switching Operation	—	—	300	ns
Reverse Recovery Charge	$Q_{rr}^{*2}$		—	11	—	$\mu C$
Emitter-Collector Voltage	$V_{EC}^{*2}$	$I_E = 600A, V_{GE} = 0V, T_j = 25^\circ\text{C}^{*5}$	—	2.0	2.8	Volts
		$I_E = 600A, V_{GE} = 0V, T_j = 125^\circ\text{C}^{*5}$	—	1.95	—	Volts
		$I_E = 600A, V_{GE} = 0V, \text{Chip}$	—	1.9	—	Volts

**Thermal and Mechanical Characteristics,  $T_j = 25^\circ\text{C}$  unless otherwise specified**

Characteristics	Symbol	Test Conditions	Min.	Typ.	Max.	Units
Module Lead Resistance	$R_{lead}$	Main Terminals-Chip (Per Switch)	—	0.6	—	m $\Omega$
Thermal Resistance, Junction to Case**	$R_{th(j-c)Q}$	Per IGBT <sup>*1</sup>	—	—	0.066	$^\circ\text{C}/W$
Thermal Resistance, Junction to Case**	$R_{th(j-c)D}$	Per FWDI <sup>*1</sup>	—	—	0.11	$^\circ\text{C}/W$
Contact Thermal Resistance**	$R_{th(c-f)}$	Case to Heatsink (Per 1 Module) Thermal Grease Applied <sup>*1,7</sup>	—	0.015	—	$^\circ\text{C}/W$
Internal Gate Resistance	$R_{Gint}$	$T_C = 25^\circ\text{C}$	2.1	3.0	3.9	$\Omega$
		$T_C = 125^\circ\text{C}$	4.2	6.0	7.8	$\Omega$
External Gate Resistance	$R_G$		1.0	—	10	$\Omega$

**NTC Thermistor Sector,  $T_j = 25^\circ\text{C}$  unless otherwise specified**

Characteristics	Symbol	Test Conditions	Min.	Typ.	Max.	Units
Zero Power Resistance	R	$T_C = 25^\circ\text{C}^{*1}$	4.85	5.00	5.15	k $\Omega$
Deviation of Resistance	$\Delta R/R$	$T_C = 100^\circ\text{C}, R_{100} = 493\Omega^{*1}$	-7.3	—	+7.8	%
B Constant	$B_{(25/50)}$	$B = (\ln R_1 - \ln R_2) / (1/T_1 - 1/T_2)^{*6}$	—	3375	—	K
Power Dissipation	$P_{25}$	$T_C = 25^\circ\text{C}^{*1}$	—	—	10	mW

\*1 Case temperature ( $T_C$ ) and heatsink temperature ( $T_H$ ) are defined on the surface of the baseplate and heatsink at just under the chip.

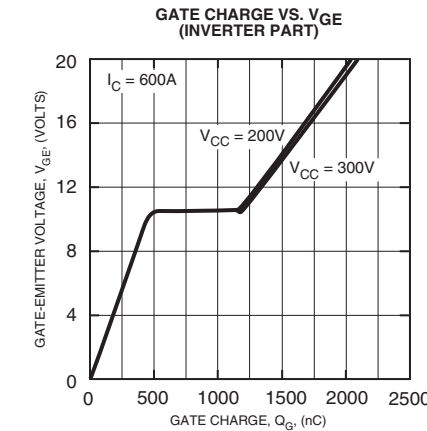
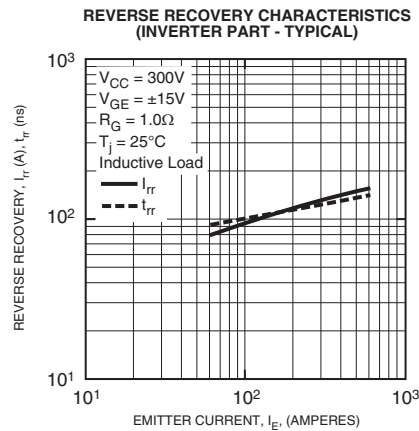
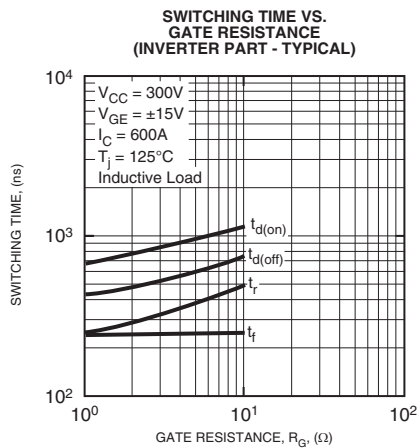
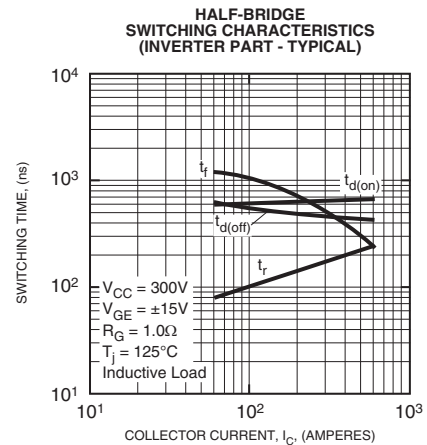
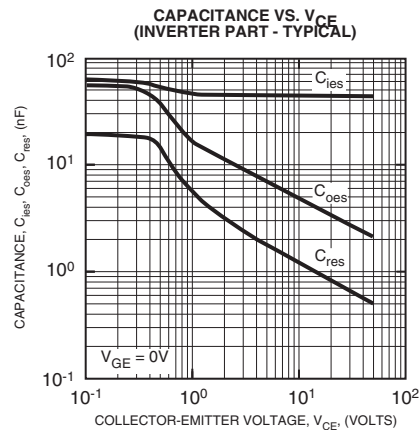
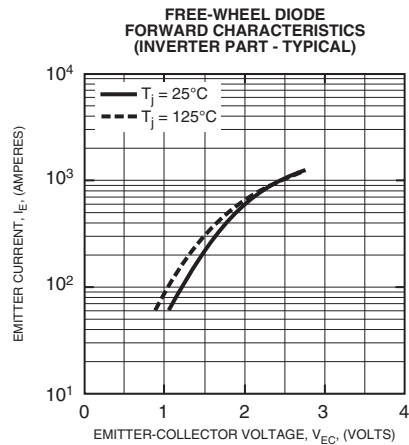
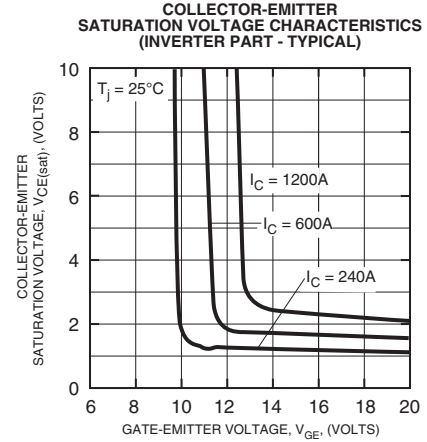
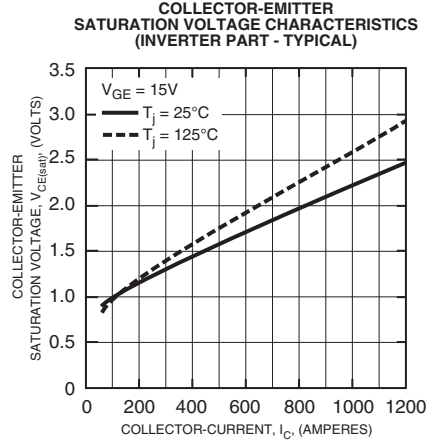
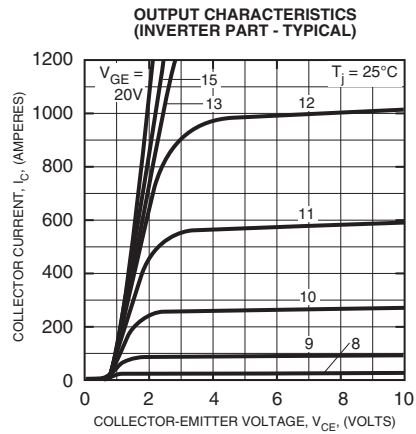
\*2  $I_E, I_{EM}, V_{EC}, t_{rr}$  and  $Q_{rr}$  represent ratings and characteristics of the anti-parallel, emitter-to-collector free-wheel diode (FWDI).

\*5 Pulse width and repetition rate should be such as to cause negligible temperature rise.

\*6  $R_1$ : Resistance at Absolute Temperature  $T_1(K)$ ,  $R_2$ : Resistance at Absolute Temperature  $T_2(K)$ ,  $T(K) = T(^{\circ}\text{C}) + 273.15$

\*7 Typical value is measured by using thermally conductive grease of  $\lambda = 0.9 [W/(m \cdot K)]$ .

**CM600HX-12A**  
**Single IGBTMOD™ NX-Series Module**  
 600 Amperes/600 Volts



**CM600HX-12A**  
**Single IGBTMOD™ NX-Series Module**  
 600 Amperes/600 Volts

