

**2.13 inch  
E-paper Display Series**

**BLGDEH0213B72**

## 1. General Description

Active Matrix Electrophoretic Display (AMEPD), with interface and a reference system design. The 2.13” active area contains 250×122 pixels, and has 1-bit B/W full display capabilities. An integrated circuit contains gate buffer, source buffer, interface, timing control logic, oscillator, DC-DC. SRAM.LUT, VCOM and border are supplied with each panel.

## 2. Features

- 250×122 pixels display
- High contrast
- High reflectance
- Ultra wide viewing angle
- Ultra low power consumption
- Pure reflective mode
- Bi-stable display
- Commercial temperature range
- Landscape, portrait modes
- Hard-coat antiglare display surface
- Ultra Low current deep sleep mode
- On chip display RAM
- Low voltage detect for supply voltage
- High voltage ready detect for driving voltage
- Internal temperature sensor
- 10-byte OTP space for module identification
- Waveform stored in On-chip OTP
- Serial peripheral interface available
- On-chip oscillator
- On-chip booster and regulator control for generating VCOM, Gate and Source driving voltage
- I2C signal master interface to read external temperature sensor/built-in temperature sensor

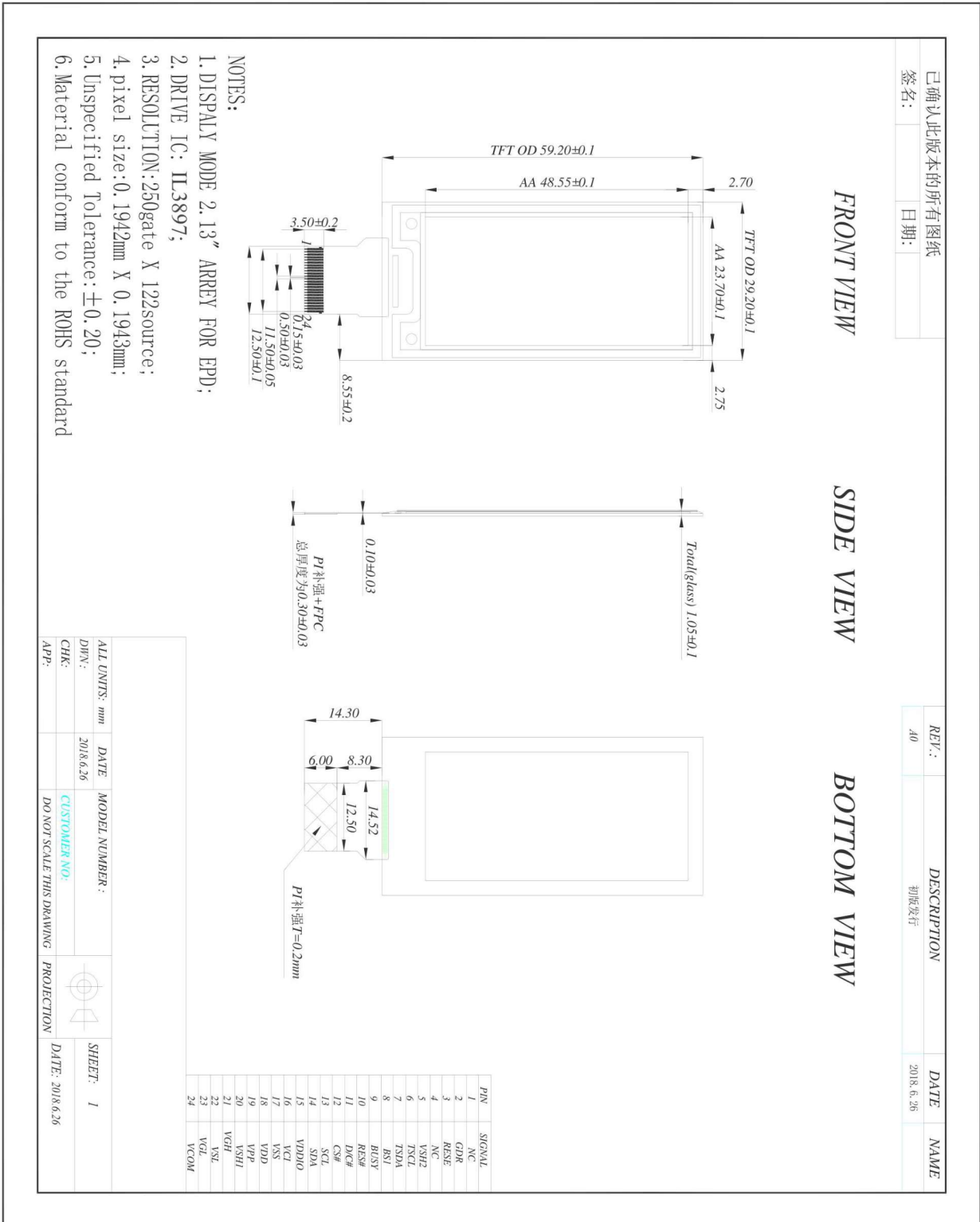
## 3. Application

Electronic Shelf Label System

## 4. Mechanical Specifications

Parameter	Specifications	Unit	Remark
Screen Size	2.13	Inch	
Display Resolution	122(H)×250(V)	Pixel	Dpi:130
Active Area	23.7(H)×48.55(V)	mm	
Pixel Pitch	0.1942×0.1943	mm	
Pixel Configuration	Rectangle		
Outline Dimension	29.2(H)×59.2 (V) ×1.05(D)	mm	
Weight	3.0±0.2	g	

## 5. Mechanical Drawing of EPD module



## 6. Input/Output Terminals

Pin #	Single	Description	Remark
1	NC	No connection and do not connect with other NC pins	Keep Open
2	GDR	N-Channel MOSFET Gate Drive Control	
3	RESE	Current Sense Input for the Control Loop	
4	NC	No connection and do not connect with other NC pins e	Keep Open
5	VSH2	Positive Source driving voltage	
6	TSCL	I2C Interface to digital temperature sensor Clock pin	
7	TSDA	I2C Interface to digital temperature sensor Date pin	
8	BS1	Bus selection pin	Note 6-5
9	BUSY	Busy state output pin	Note 6-4
10	RES #	Reset	Note 6-3
11	D/C #	Data /Command control pin	Note 6-2
12	CS #	Chip Select input pin	Note 6-1
13	SCL	serial clock pin (SPI)	
14	SDA	serial data pin (SPI)	
15	VDDIO	Power for interface logic pins	
16	VCI	Power Supply pin for the chip	
17	VSS	Ground	
18	VDD	Core logic power pin	
19	VPP	Power Supply for OTP Programming	
20	VSH1	Positive Source driving voltage	
21	VGH	Power Supply pin for Positive Gate driving voltage and VSH	
22	VSL	Negative Source driving voltage	
23	VGL	Power Supply pin for Negative Gate driving voltage, VCOM and VSL	
24	VCOM	VCOM driving voltage	

Note 6-1: This pin (CS#) is the chip select input connecting to the MCU. The chip is enabled for MCU communication: only when CS# is pulled LOW.

Note 6-2: This pin (D/C#) is Data/Command control pin connecting to the MCU. When the pin is pulled HIGH, the data will be interpreted as data. When the pin is pulled LOW, the data will be interpreted as command.

Note 6-3: This pin (RES#) is reset signal input. The Reset is active low.

Note 6-4: This pin (BUSY) is Busy state output pin. When Busy is High the operation of chip should not be interrupted and any commands should not be issued to the module. The driver IC will put Busy pin High when the driver IC is working such as:

- Outputting display waveform; or
- Communicating with digital temperature sensor

Note 6-5: This pin (BS1) is for 3-line SPI or 4-line SPI selection. When it is “Low”, 4-line SPI is selected. When it is “High”, 3-line SPI (9 bits SPI) is selected.

## 7. MCU Interface

### 7.1 MCU interface selection

The GDEH0213B72 can support 3-wire/4-wire serial peripheral interface. In the Module, the MCU interface is pin selectable by BS1 pins shown in.

**Table 7-1: MCU interface selection**

BS1	MPU Interface
L	4-lines serial peripheral interface (SPI)
H	3-lines serial peripheral interface (SPI) - 9 bits SPI

### 7.2 MCU Serial Peripheral Interface (4-wire SPI)

The 4-wire SPI consists of serial clock SCL, serial data SDA, D/C# and CS#, The control pins status in 4-wire SPI in writing command/data is shown in Table 7- 2 and the write procedure 4-wire SPI is shown in Figure 7-2.

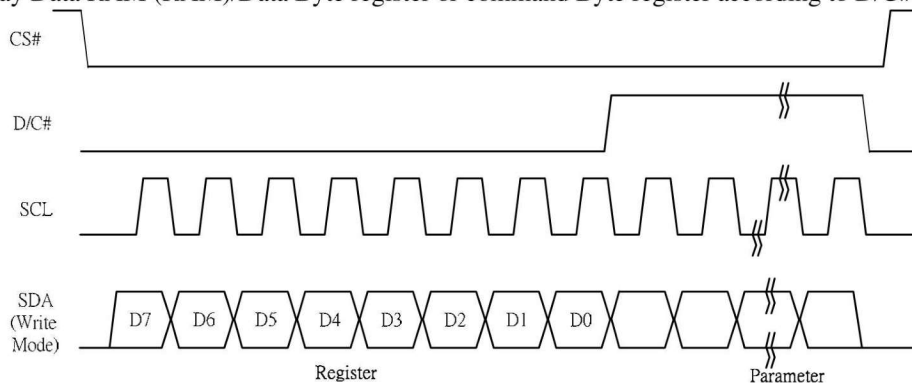
**Table 7-2 : Control pins status of 4-wire SPI**

Function	SCL pin	SDA pin	D/C# pin	CS# pin
Write command	↑	Command bit	L	L
Write data	↑	Data bit	H	L

**Note:**

- (1) L is connected to VSS and H is connected to VDDIO
- (2) ↑ stands for rising edge of signal

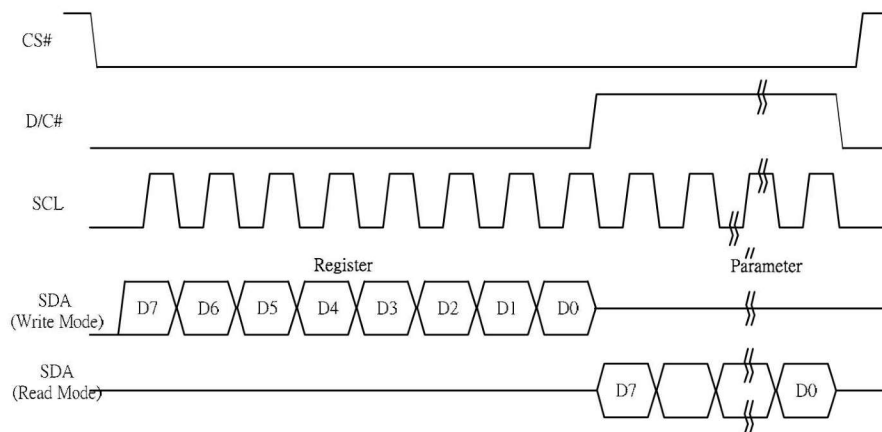
In the write mode, SDA is shifted into an 8-bit shift register on each rising edge of SCL in the order of D7, D6, ... D0. The level of D/C# should be kept over the whole byte. The data byte in the shift register is written to the Graphic Display Data RAM (RAM)/Data Byte register or command Byte register according to D/C# pin.



**Figure 7-2: Write procedure in 4-wire SPI mode**

In the Read mode:

1. After driving CS# to low, MCU need to define the register to be read.
2. SDA is shifted into an 8-bit shift register on each rising edge of SCL in the order of D7, D6, ... D0 with D/C# keep low.
3. After SCL change to low for the last bit of register, D/C# need to drive to high.
4. SDA is shifted out an 8-bit data on each falling edge of SCL in the order of D7, D6, ... D0.
5. Depending on register type, more than 1 byte can be read out. After all byte are read, CS# need to drive to high to stop the read operation.



**Figure 7-2: Read procedure in 4-wire SPI mode**

### 7.3 MCU Serial Peripheral Interface (3-wire SPI)

The 3-wire SPI consists of serial clock SCL, serial data SDA and CS#. The operation is similar to 4-wire SPI while D/C# pin is not used and it must be tied to LOW. The control pins status in 3-wire SPI is shown in Table 7-3.

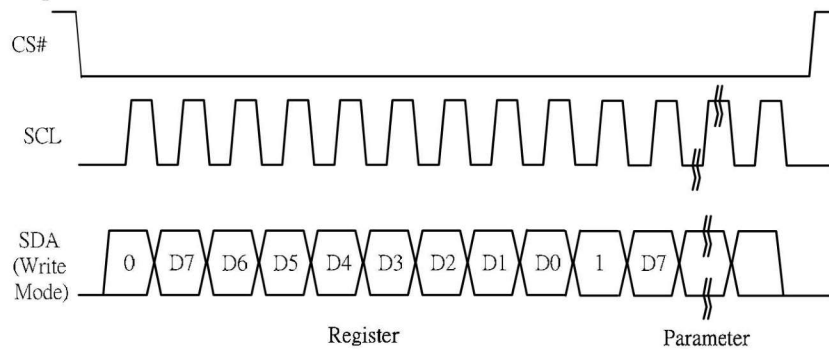
**Table 7-3 : Control pins status of 3-wire SPI**

Function	SCL pin	SDA pin	D/C# pin	CS# pin
Write command	↑	Command bit	Tie LOW	L
Write data	↑	Data bit	Tie LOW	L

**Note:**

- (1)L is connected to  $V_{SS}$  and H is connected to  $V_{DDIO}$
- (2)↑ stands for rising edge of signal

In the write operation, a 9-bit data will be shifted into the shift register on each clock rising edge. The bit shifting sequence is D/C# bit, D7 bit, D6 bit to D0 bit. The first bit is D/C# bit which determines the following byte is command or data. When D/C# bit is 0, the following byte is command. When D/C# bit is 1, the following byte is data. Figure 7-3 shows the write procedure in 3-wire SPI



**Figure 7-3: Write procedure in 3-wire SPI mode**

In the Read mode:

1. After driving CS# to low, MCU need to define the register to be read.
2. D/C#=0 is shifted thru SDA with one rising edge of SCL
3. SDA is shifted into an 8-bit shift register on each rising edge of SCL in the order of D7, D6, ... D0.
4. D/C#=1 is shifted thru SDA with one rising edge of SCL
5. SDA is shifted out an 8-bit data on each falling edge of SCL in the order of D7, D6, ... D0.
6. Depending on register type, more than 1 byte can be read out. After all byte are read, CS# need to drive to high to stop the read operation.

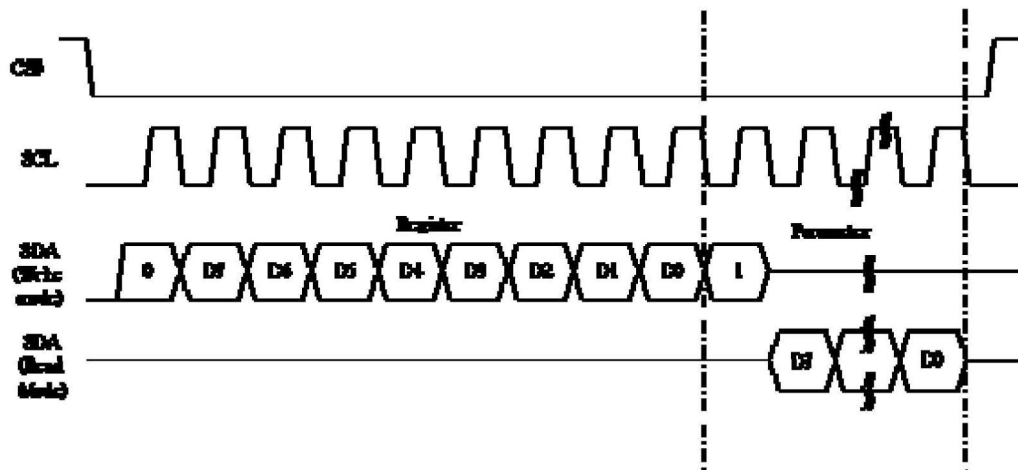


Figure 7-3: Read procedure in 3-wire SPI mode



## 8. Temperature sensor operation

Following is the way of how to sense the ambient temperature of the module. First, use an external temperature sensor to get the temperature value and converted it into HEX format with below mapping table, then send command 0x1A with the HEX temperature value to the module thru the SPI interface.

The temperature value to HEX conversion is as follow:

1. If the Temperature value MSByte bit D11 = 0, then

The temperature is positive and value (DegC) = + (Temperature value) / 16

2. If the Temperature value MSByte bit D11 = 1, then

The temperature is negative and value (DegC) = ~ (2's complement of Temperature value) / 16

12-bit binary (2's complement)	Hexadecimal Value	Decimal Value	Value [DegC]
0111 1111 0000	7F0	2032	127
0111 1110 1110	7EE	2030	126.875
0111 1110 0010	7E2	2018	126.125
0111 1101 0000	7D0	2000	125
0001 1001 0000	190	400	25
0000 0000 0010	002	2	0.125
0000 0000 0000	000	0	0
1111 1111 1110	FFE	-2	-0.125
1110 0111 0000	E70	-400	-25
1100 1001 0010	C92	-878	-54.875
1100 1001 0000	C90	-880	-55

## 9. COMMAND TABLE

R/W#	D/C#	Hex	D7	D6	D5	D4	D3	D2	D1	D0	Command	Description								
0	0	01	0	0	0	0	0	0	0	1	Driver Output Control	Set the number of gate. Setting for 212 gates is: Set A[8:0] = 0D3h Set B[7:0] = 00h								
0	1	-	A7	A6	A5	A4	A3	A2	A1	A0										
0	1	-	0	0	0	0	0	0	0	A8										
0	1	-	0	0	0	0	0	B2	B1	B0										
0	0	03	0	0	0	0	0	0	1	1	Gate Driving Voltage Control	Set Gate driving voltage. A[4:0] = 15h [POR], VGH at 19V								
0	1	-	0	0	0	A4	A3	A2	A1	A0										
0	0	04	0	0	0	0	0	1	0	0	Source Driving voltage Control	Set Source output voltage. A[7:0] = 41h [POR], VSH1 at 15V B[7:0] = A8h [POR], VSH2 at 5V C[7:0] = 32h [POR], VSL at -15V								
0	1	-	A7 B7 C7	A6 B6 C6	A5 B5 C5	A4 B4 C4	A3 B3 C3	A2 B2 C2	A1 B1 C1	A0 B0 C0										
0	0	0C	0	0	0	0	1	1	0	0										
0	1	-	1	A6 B6 C6	A5 B5 C5	A4 B4 C4	A3 B3 C3	A2 B2 C2	A1 B1 C1	A0 B0 C0										
0	0	10	0	0	0	1	0	0	0	0	Deep Sleep Mode	Deep Sleep mode Control <table border="1"> <thead> <tr> <th>A[1:0]</th> <th>Description</th> </tr> </thead> <tbody> <tr> <td>00</td> <td>Normal Mode [POR]</td> </tr> <tr> <td>01</td> <td>Enter Deep Sleep Mode1</td> </tr> <tr> <td>11</td> <td>Enter Deep Sleep Mode2</td> </tr> </tbody> </table>	A[1:0]	Description	00	Normal Mode [POR]	01	Enter Deep Sleep Mode1	11	Enter Deep Sleep Mode2
A[1:0]	Description																			
00	Normal Mode [POR]																			
01	Enter Deep Sleep Mode1																			
11	Enter Deep Sleep Mode2																			
0	1	-	0	0	0	0	0	0	A1	A0										
0	0	11	0	0	0	1	0	0	0	1										
0	1	-	0	0	0	0	0	A2	A1	A0										
0	0	12	0	0	0	1	0	0	1	0	SW RESET	It resets the commands and parameters to their S/W Reset default values except R10h-Deep Sleep Mode During operation, BUSY pad will output high. Note: RAM are unaffected by this command.								
0	0	14	0	0	0	1	0	1	0	0	HV Ready Detection	HV ready detection  The command required CLKEN=1 and ANALOGEN=1 Refer to Register 0x22 for detail. After this command initiated, HV Ready detection starts. BUSY pad will output high during detection. The detection result can be read from the Status Bit Read (Command 0x2F).								

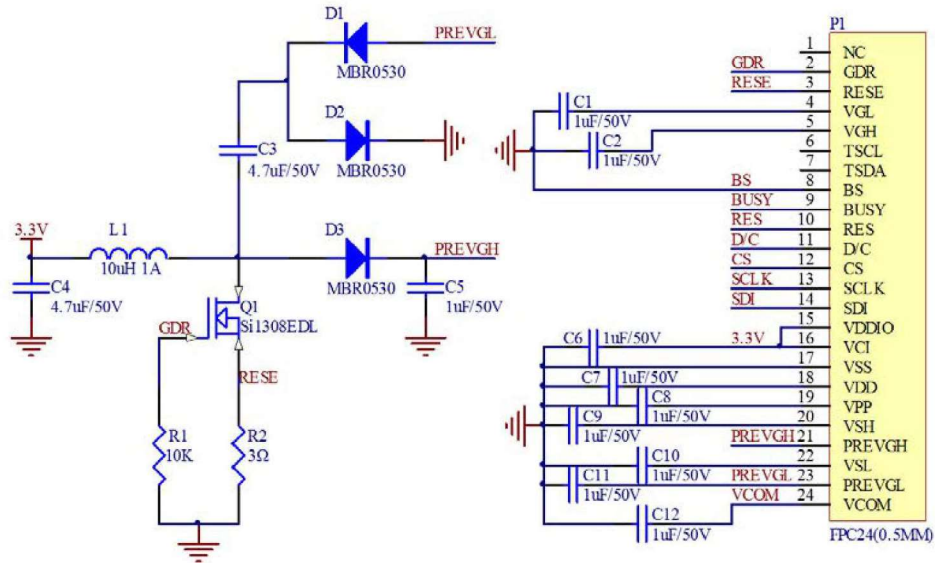
R/W#	D/C#	Hex	D7	D6	D5	D4	D3	D2	D1	D0	Command	Description																
0	0	15	0	0	0	1	0	1	0	1	VCI Detection	A[2:0] = 100 [POR] , Detect level at 2.3V A[2:0] : VCI level Detect <table border="1" style="margin-left: 20px;"> <tr> <td>A[2:0]</td> <td>VCI level</td> </tr> <tr> <td>011</td> <td>2.2V</td> </tr> <tr> <td>100</td> <td>2.3V</td> </tr> <tr> <td>101</td> <td>2.4V</td> </tr> <tr> <td>110</td> <td>2.5V</td> </tr> <tr> <td>111</td> <td>2.6V</td> </tr> <tr> <td>Other</td> <td>NA</td> </tr> </table> <p>The command required CLKEN=1 and ANALOGEN=1  Refer to Register 0x22 for detail.  After this command initiated, VCI detection starts.  BUSY pad will output high during detection.  The detection result can be read from the Status Bit Read (Command 0x2F).</p>	A[2:0]	VCI level	011	2.2V	100	2.3V	101	2.4V	110	2.5V	111	2.6V	Other	NA		
A[2:0]	VCI level																											
011	2.2V																											
100	2.3V																											
101	2.4V																											
110	2.5V																											
111	2.6V																											
Other	NA																											
0	1		0	0	0	0	0	A2	A1	A0																		
0	0	18	0	0	0	1	1	0	0	0	Temperature sensor control	Temperature Sensor Selection A[7:0] = 48h [POR], external temperature sensor A[7:0] = 80h Internal temperature sensor																
0	1	-	A7	A6	A5	A4	A3	A2	A1	A0																		
0	0	1A	0	0	0	1	1	0	1	0	Temperature Sensor Control (Write to temperature register)	Write to temperature register. A[11:0] =7FFh[POR]																
0	1	-	A11	A10	A9	A8	A7	A6	A5	A4																		
0	1	-	A3	A2	A1	A0	0	0	0	0																		
0	0	1B	0	0	0	1	1	0	1	1	Temperature Sensor Control (Read from temperature register)	Read from temperature register.																
0	0		A11	A10	A9	A8	A7	A6	A5	A4																		
0	1		B7	B6	B5	B4	B3	B2	B1	B0																		
			A3	A2	A1	A0	0	0	0	0																		
0	0	20	0	0	1	0	0	0	0	0	Master Activation	Activate Display Update Sequence.  The Display Update Sequence Option is located at R22h BUSY pad will output high during operation. User should not interrupt this operation to avoid corruption of panel images.																
0	0	21	0	0	1	0	0	0	0	1	Display Update Control 1	RAM content option for Display Update A[7:0] = 00h [POR] <table border="1" style="margin-left: 20px;"> <tr> <td colspan="2">A[7:4] Red RAM option</td> </tr> <tr> <td>0000</td> <td>Normal</td> </tr> <tr> <td>0100</td> <td>Bypass RAM content as 0</td> </tr> <tr> <td>1000</td> <td>Inverse RAM content</td> </tr> <tr> <td colspan="2">A[3:0] BW RAM option</td> </tr> <tr> <td>0000</td> <td>Normal</td> </tr> <tr> <td>0100</td> <td>Bypass RAM content as 0</td> </tr> <tr> <td>1000</td> <td>Inverse RAM content</td> </tr> </table>	A[7:4] Red RAM option		0000	Normal	0100	Bypass RAM content as 0	1000	Inverse RAM content	A[3:0] BW RAM option		0000	Normal	0100	Bypass RAM content as 0	1000	Inverse RAM content
A[7:4] Red RAM option																												
0000	Normal																											
0100	Bypass RAM content as 0																											
1000	Inverse RAM content																											
A[3:0] BW RAM option																												
0000	Normal																											
0100	Bypass RAM content as 0																											
1000	Inverse RAM content																											
0	1	-	A7	A6	A5	A4	A3	A2	A1	A0																		

R/W#	D/C#	Hex	D7	D6	D5	D4	D3	D2	D1	D0	Command	Description
0	0	22	0	0	1	0	0	0	1	0	Display Update Control 2	Display Update Sequence Option: Enable the stage for Master Activation A[7:0]=FFh (POR)
0	1	-	A7	A6	A5	A4	A3	A2	A1	A0		Parameter (in Hex)
											Enable Clock Signal, Then Enable Analog Then DISPLAY for display mode 1 Then Disable Analog Then Disable OSC	C7
											<b>Load LUT from OTP</b> Enable Clock Signal, Then Load LUT for display mode 1 Then Disable OSC	91
											<b>Load TS and then Load LUT from OTP</b> Enable Clock Signal, Then Load TS Then Load LUT for display mode 1 Then Disable OSC	B1
											Parameter (in Hex)	
											Enable Clock Signal, Then Enable Analog Then DISPLAY for display mode 2 Then Disable Analog Then Disable OSC	CF
											<b>Load LUT from OTP</b> Enable Clock Signal, Then Load LUT for display mode 2 Then Disable OSC	99
											<b>Load TS and then Load LUT from OTP</b> Enable Clock Signal, Then Load TS Then Load LUT for display mode 2 Then Disable OSC	B9
0	0	24	0	0	1	0	0	1	0	0	Write RAM(BW)	After this command, data entries will be written into the RAM until another command is written. Address pointers will advance accordingly. For Write pixel: Content of Write RAM(BW)=1 For Black pixel: Content of Write RAM( BW)=0
0	0	26	0	0	1	0	0	1	1	0	Write RAM(RED)	After this command, data entries will be written into the RED RAM until another command is written. Address pointers will advance accordingly. For Red pixel: Content of Write RAM(RED)=1 For non-Red pixel[Black or White]: Content of Write RAM(RED)=0
0	0	27	0	0	1	0	0	1	1	1	Read RAM	After this command, data read on the MCU bus will fetch data from RAM [According to parameter of Register 41h to select reading RAM(BW) / RAM(RED)], until another command is written. Address pointers will advance accordingly. The 1st byte of data read is dummy data.

R/W#	D/C#	Hex	D7	D6	D5	D4	D3	D2	D1	D0	Command	Description																																																																
0	0	2B	0	0	1	0	1	0	1	1	ACVCOM setting	Set following values when ACVCOM is used, it will not affect DCVCOM A[7:0] = 04h B[7:0] = 63h																																																																
0	1	-	A7	A6	A5	A4	A3	A2	A1	A0																																																																		
0	1	-	B7	B6	B5	B4	B3	B2	B1	B0																																																																		
0	0	2C	0	0	1	0	1	1	0	0	Write VCOM register	Write VCOM register from MCU interface A[7:0]=00h[POR]																																																																
0	1	-	A7	A6	A5	A4	A3	A2	A1	A0																																																																		
												<table border="1"> <thead> <tr> <th>A[7:0]</th> <th>VCOM (V)</th> <th>A[7:0]</th> <th>VCOM (V)</th> </tr> </thead> <tbody> <tr><td>08h</td><td>-0.2</td><td>44h</td><td>-1.7</td></tr> <tr><td>0Bh</td><td>-0.3</td><td>48h</td><td>-1.8</td></tr> <tr><td>10h</td><td>-0.4</td><td>4Bh</td><td>-1.9</td></tr> <tr><td>14h</td><td>-0.5</td><td>50h</td><td>-2</td></tr> <tr><td>17h</td><td>-0.6</td><td>54h</td><td>-2.1</td></tr> <tr><td>1Bh</td><td>-0.7</td><td>58h</td><td>-2.2</td></tr> <tr><td>20h</td><td>-0.8</td><td>5Bh</td><td>-2.3</td></tr> <tr><td>24h</td><td>-0.9</td><td>5Fh</td><td>-2.4</td></tr> <tr><td>28h</td><td>-1</td><td>64h</td><td>-2.5</td></tr> <tr><td>2Ch</td><td>-1.1</td><td>68h</td><td>-2.6</td></tr> <tr><td>2Fh</td><td>-1.2</td><td>6Ch</td><td>-2.7</td></tr> <tr><td>34h</td><td>-1.3</td><td>6Fh</td><td>-2.8</td></tr> <tr><td>37h</td><td>-1.4</td><td>73h</td><td>-2.9</td></tr> <tr><td>3Ch</td><td>-1.5</td><td>78h</td><td>-3</td></tr> <tr><td>40h</td><td>-1.6</td><td>Other</td><td>NA</td></tr> </tbody> </table>	A[7:0]	VCOM (V)	A[7:0]	VCOM (V)	08h	-0.2	44h	-1.7	0Bh	-0.3	48h	-1.8	10h	-0.4	4Bh	-1.9	14h	-0.5	50h	-2	17h	-0.6	54h	-2.1	1Bh	-0.7	58h	-2.2	20h	-0.8	5Bh	-2.3	24h	-0.9	5Fh	-2.4	28h	-1	64h	-2.5	2Ch	-1.1	68h	-2.6	2Fh	-1.2	6Ch	-2.7	34h	-1.3	6Fh	-2.8	37h	-1.4	73h	-2.9	3Ch	-1.5	78h	-3	40h	-1.6	Other	NA
A[7:0]	VCOM (V)	A[7:0]	VCOM (V)																																																																									
08h	-0.2	44h	-1.7																																																																									
0Bh	-0.3	48h	-1.8																																																																									
10h	-0.4	4Bh	-1.9																																																																									
14h	-0.5	50h	-2																																																																									
17h	-0.6	54h	-2.1																																																																									
1Bh	-0.7	58h	-2.2																																																																									
20h	-0.8	5Bh	-2.3																																																																									
24h	-0.9	5Fh	-2.4																																																																									
28h	-1	64h	-2.5																																																																									
2Ch	-1.1	68h	-2.6																																																																									
2Fh	-1.2	6Ch	-2.7																																																																									
34h	-1.3	6Fh	-2.8																																																																									
37h	-1.4	73h	-2.9																																																																									
3Ch	-1.5	78h	-3																																																																									
40h	-1.6	Other	NA																																																																									
0	0	2D	0	0	1	0	1	1	0	1	OTP Register Read	Read Register stored in OTP: 1. A[7:0]~ B[7:0]: VCOM Information 2. C[7:0]~F[7:0]: Display Mode 3. G[7:0]~H[7:0]: Module ID/ Waveform Version [2bytes]																																																																
0	1		A7	A6	A5	A4	A3	A2	A1	A0																																																																		
0	1		H7	H6	H5	H4	H3	H2	H1	H0																																																																		
0	0	2E	0	0	1	0	1	1	1	0	User ID Read	Read 10 Byte User ID stored in OTP: A[7:0]~J[7:0]: UserID (R38, Byte A and Byte J) [10 bytes]																																																																
1	1		A7	A6	A5	A4	A3	A2	A1	A0																																																																		
1	1		J7	J6	J5	J4	J3	J2	J1	J0																																																																		
0	0	2F	0	0	1	0	1	0	0	1	Status Bit Read	Read IC status Bit [POR 0x21] A[5]: HV Ready Detection flag [POR=1] 0: Ready 1: Not Ready A[4]: VCI Detection flag [POR=0] 0: Normal 1: VCI lower than the Detect level A[3]: [POR=0] A[2]: Busy flag [POR=0] 0: Normal 1: BUSY A[1:0]: Chip ID [POR=01] Remark: A[5] and A[4] status are not valid after RESET, they need to be initiated by command 0x14 and command 0x15 respectively.																																																																
1	1	-	0	0	0	A4	0	0	A1	A0																																																																		
0	0	32	0	0	1	1	0	0	1	0	Write LUT register	Write LUT register from MCU interface [70 bytes] (excluding the analog setting and frame setting)																																																																
0	1	-	A7	A6	A5	A4	A3	A2	A1	A0																																																																		
0	1	-	B7	B6	B5	B4	B3	B2	B1	B0																																																																		
0	1	-	:	:	:	:	:	:	:	:																																																																		
0	0	36	0	0	1	1	0	1	1	0	Program OTP selection	Program OTP Selection according to the OTP Selection Control [R38h]  The command required CLKEN=1. Refer to Register 0x22 for detail. BUSY pad will output high during operation.																																																																
1	0	38	0	0	1	1	1	0	0	0	Write Register for User ID	Write Register for User ID A[7:0]~J[7:0]: UserID [10 bytes]																																																																
1	1		A7	A6	A5	A4	A3	A2	A1	A0																																																																		
1	1		J7	J6	J5	J4	J3	J2	J1	J0																																																																		

0	0	39	0	0	1	1	1	0	0	1	OTP program mode	OTP program mode A[1:0] = 00: Normal Mode [POR] A[1:0] = 11: Internal generated OTP programming voltage  Remark: User is required to EXACTLY follow the reference code sequences																														
0	0	3A	0	0	1	1	1	0	1	0	Set dummy line period	Set A[7:0] = 0Fh																														
0	1	-	0	A6	A5	A4	A3	A2	A1	A0	Set Gate line width	Set A[3:0] = 0Ch																														
0	0	3B	0	0	1	1	1	0	1	1																																
0	1	-	0	0	0	0	A3	A2	A1	A0	Border Waveform Control	Select border waveform for VBD A [7:6] Select VBD <table border="1"> <tr><td>A[7:6]</td><td>Select VBD as</td></tr> <tr><td>00[POR]</td><td>GS Transition Define A[1:0]</td></tr> <tr><td>01</td><td>Fix Level Define A [5:4]</td></tr> <tr><td>10</td><td>VCOM</td></tr> <tr><td>11</td><td>HIZ</td></tr> </table> A [5:4] Fix Level Setting for VBD <table border="1"> <tr><td>A[5:4]</td><td>VBD level</td></tr> <tr><td>00[POR]</td><td>VSS</td></tr> <tr><td>01</td><td>VSH1</td></tr> <tr><td>10</td><td>VSL</td></tr> <tr><td>11</td><td>VSH2</td></tr> </table> A[1:0]) GS Transition setting for VBD <table border="1"> <tr><td>A[1:0]</td><td>VBD Transition</td></tr> <tr><td>00 [POR]</td><td>LUT0</td></tr> <tr><td>01</td><td>LUT1</td></tr> <tr><td>10</td><td>LUT2</td></tr> <tr><td>11</td><td>LUT3</td></tr> </table>	A[7:6]	Select VBD as	00[POR]	GS Transition Define A[1:0]	01	Fix Level Define A [5:4]	10	VCOM	11	HIZ	A[5:4]	VBD level	00[POR]	VSS	01	VSH1	10	VSL	11	VSH2	A[1:0]	VBD Transition	00 [POR]	LUT0	01	LUT1	10	LUT2	11	LUT3
A[7:6]	Select VBD as																																									
00[POR]	GS Transition Define A[1:0]																																									
01	Fix Level Define A [5:4]																																									
10	VCOM																																									
11	HIZ																																									
A[5:4]	VBD level																																									
00[POR]	VSS																																									
01	VSH1																																									
10	VSL																																									
11	VSH2																																									
A[1:0]	VBD Transition																																									
00 [POR]	LUT0																																									
01	LUT1																																									
10	LUT2																																									
11	LUT3																																									
0	0	3C	0	0	1	1	1	1	0	0																																
0	1	-	A7	A6	A5	A4	0	0	A1	A0																																
0	0	41	0	1	0	0	0	0	1	0	Read RAM Option	Read RAM Option A[0]= 0 [POR] 0 : Read RAM corresponding to 24h 1 : Read RAM corresponding to 26h																														
0	1	-	0	0	0	0	0	0	0	A0																																
0	0	44	0	1	0	0	0	1	0	0	Set RAM X - address Start / End position	Specify the start/end positions of the window address in the X direction by an address unit A[5:0] = 00h B[5:0] = 0Ch																														
0	1	-	0	0	B5	B4	B3	B2	B1	B0																																
0	0	45	0	1	0	0	0	1	0	1	Set Ram Y- address Start / End position	Specify the start/end positions of the window address in the Y direction by an address unit A[8:0] = 0D3h B[8:0] = 000h																														
0	1	-	A7	A6	A5	A4	A3	A2	A1	A0																																
0	1	-	0	0	0	0	0	0	0	A8																																
0	1	-	B7	B6	B5	B4	B3	B2	B1	B0																																
0	1	-	0	0	0	0	0	0	0	B8																																
0	0	4E	0	1	0	0	1	1	1	0	Set RAM X - address counter	Make initial settings for the RAM X address in the address counter (AC) A[5:0] = 00h																														
0	1	-	0	0	0	A4	A3	A2	A1	A0																																
0	0	4F	0	1	0	0	1	1	1	1	Set RAM Y - address counter	Make initial settings for the RAM Y address in the address counter (AC) A[8:0] = 0D3h																														
0	1	-	A7	A6	A5	A4	A3	A2	A1	A0																																
0	0	74	0	1	1	1	0	1	0	0	Set Analog Block control	A[7:0] = 54h																														
0	1	-	A7	A6	A5	A4	A3	A2	A1	A0																																
0	0	7E	0	1	1	1	1	1	1	0	Set Digital Block control	A[7:0] = 3Bh																														
0	1	-	A7	A6	A5	A4	A3	A2	A1	A0																																

## 10. Reference Circuit



### Note:

1. Inductor L1 is wire-wound inductor. There are no special requirements for other parameters.
2. Suggests using Si1304BDL or Si1308EDL TUBE MOS (Q1) , otherwise it may affect the normal boost of the circuit.
3. The default circuit is 4-wire SPI. If the user wants to use 3-wire SPI, the resistor R4 can be removed when users design.
4. Default voltage value of all capacitors is 50V.

## 11. ABSOLUTE MAXIMUM RATING

Table 11-1: Maximum Ratings

Symbol	Parameter	Rating	Unit
V <sub>CI</sub>	Logic supply voltage	-0.5 to +6.0	V
T <sub>OPR</sub>	Operation temperature range	0 to 50	°C
T <sub>STG</sub>	Storage temperature range	-25 to 60	°C
-	Humidity range	40~70	%RH

\*Note: Avoid direct sunlight.

## 12.DC CHARACTERISTICS

The following specifications apply for: VSS=0V, VCI=3.3V, T<sub>OPR</sub>=25°C.

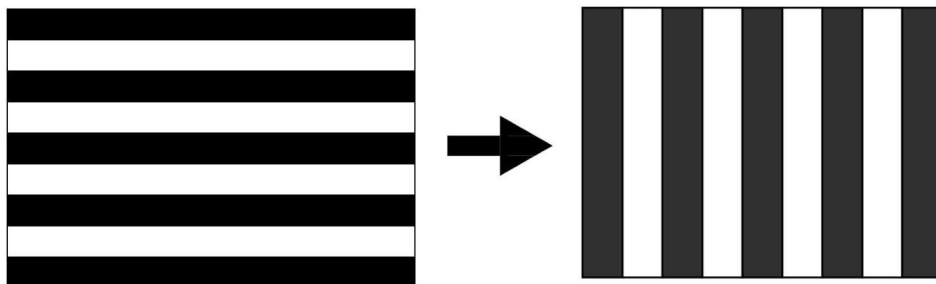
Table 12-1: DC Characteristics

Symbol	Parameter	Test Condition	Applicable pin	Min.	Typ.	Max.	Unit
V <sub>CI</sub>	VCI operation voltage	-	VCI	2.2	3.3	3.7	V
V <sub>IH</sub>	High level input voltage	-	SDA, SCL, CS#, D/C#, RES#, BS1	0.8VDDIO	-	-	V
V <sub>IL</sub>	Low level input voltage	-		-	-	0.2VDDIO	V
V <sub>OH</sub>	High level output voltage	IOH = -100uA	BUSY,	0.9VDDIO	-	-	V
V <sub>OL</sub>	Low level output voltage	IOL = 100uA		-	-	0.1VDDIO	V
I <sub>update</sub>	Module operating current	-	-	-	2.5	-	mA
I <sub>sleep</sub>	Deep sleep mode	VCI=3.3V	-	-	0.6	1	uA

- The Typical power consumption is measured using associated 25°C waveform with following pattern transition: from horizontal scan pattern to vertical scan pattern. (Note 12-1)
- The listed electrical/optical characteristics are only guaranteed under the controller & waveform provided by XingTai.
- Vcom value will be OTP before in factory or present on the label sticker.

Note 12-1

The Typical power consumption





### 13. Serial Peripheral Interface Timing

The following specifications apply for: VSS=0V, VCI=2.2V to 3.7V, T<sub>OPR</sub>=25°C

#### Write mode

Symbol	Parameter	Min	Typ	Max	Unit
fSCL	SCL frequency (Write Mode)			20	MHz
tCSSU	Time CS# has to be low before the first rising edge of SCLK	20			ns
tCSHLD	Time CS# has to remain low after the last falling edge of SCLK	20			ns
tCSHIGH	Time CS# has to remain high between two transfers	100			ns
tSCLHIGH	Part of the clock period where SCL has to remain high	25			ns
tSCLLOW	Part of the clock period where SCL has to remain low	25			ns
tSISU	Time SI (SDA Write Mode) has to be stable before the next rising edge of SCL	10			ns
tSIHLD	Time SI (SDA Write Mode) has to remain stable after the rising edge of SCL	40			ns

#### Read mode

Symbol	Parameter	Min	Typ	Max	Unit
fSCL	SCL frequency (Read Mode)			2.5	MHz
tCSSU	Time CS# has to be low before the first rising edge of SCLK	100			ns
tCSHLD	Time CS# has to remain low after the last falling edge of SCLK	50			ns
tCSHIGH	Time CS# has to remain high between two transfers	250			ns
tSCLHIGH	Part of the clock period where SCL has to remain high	180			ns
tSCLLOW	Part of the clock period where SCL has to remain low	180			ns
tSOSU	Time SO(SDA Read Mode) will be stable before the next rising edge of SCL		50		ns
tSOHLD	Time SO (SDA Read Mode) will remain stable after the falling edge of SCL		0		ns

Note: All timings are based on 20% to 80% of VDDIO-VSS

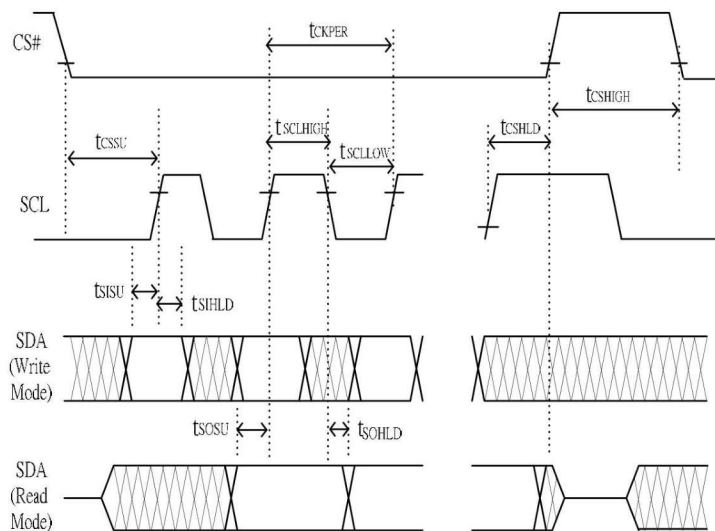


Figure 13-1 : Serial peripheral interface characteristics

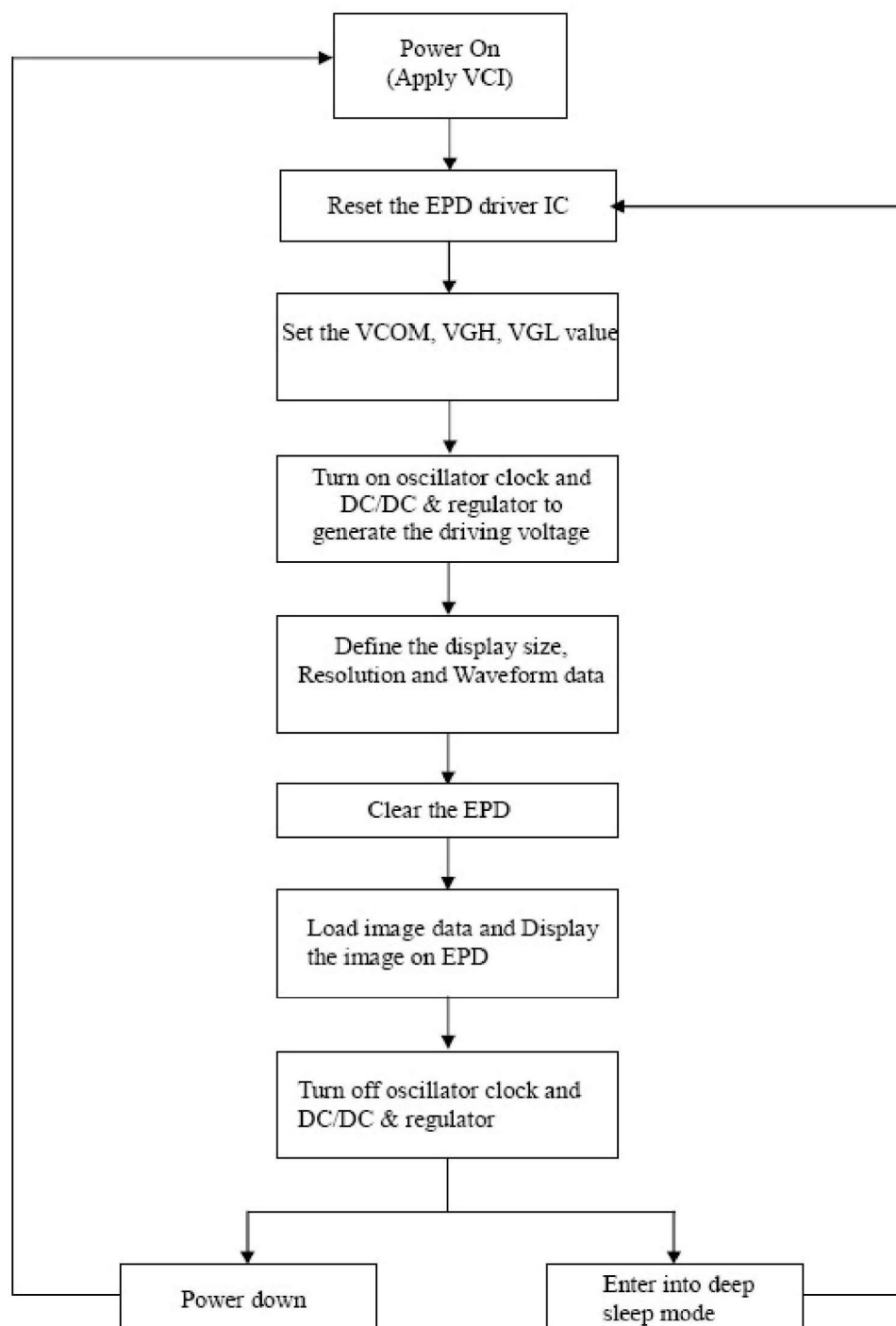
### 14 .Power Consumption

Parameter	Symbol	Conditions	TYP	Max	Unit	Remark
Panel power consumption during update	-	25°C	10	-	mAs	-
Deep sleep mode	-	25°C	0.6	-	uA	-

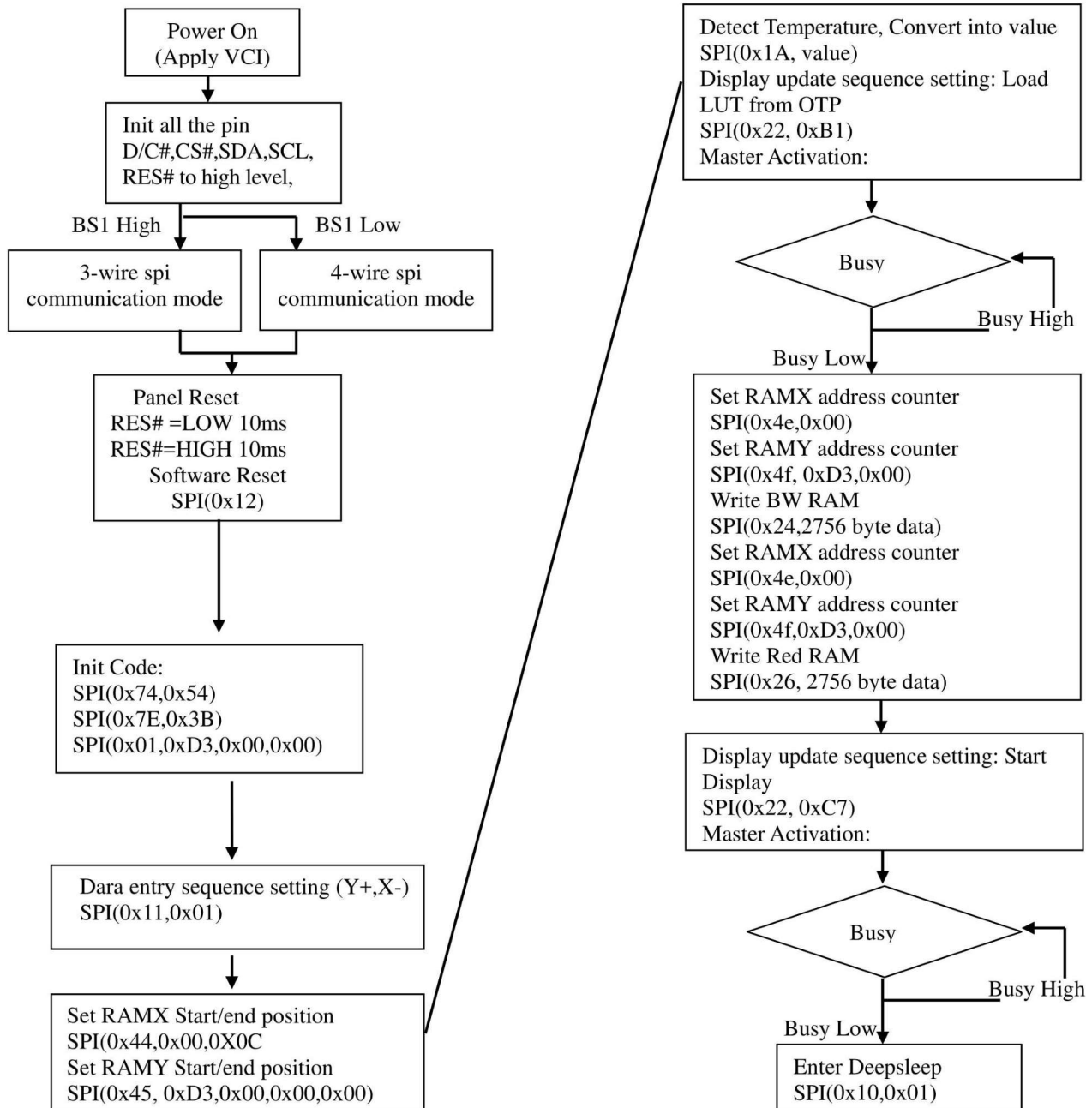
mAs=update average current × update time

## 15. Typical Operating Sequence

### 15.1 Normal Operation Flow



## 15.2 Reference Program Code



## 16. Optical characteristics

### 16.1 Specifications

Measurements are made with that the illumination is under an angle of 45 degrees, the detection is perpendicular unless otherwise specified.

T=25°C

SYMBOL	PARAMETER	CONDITIO NS	MIN	TYPE	MAX	UNIT	Note
R	Reflectance	White	30	35	-	%	Note 16-1
Gn	2Grey Level	-	-	$DS+(WS-DS)\times n(m-1)$	-	L*	-
CR	Contrast Ratio	indoor	-	10	-	-	-
Panel's life	-	0°C ~ 50°C		5years or 1000000 times	-	-	Note 16-2

WS: White state, DS : Dark state

m: 2

Note 16-1: Luminance meter : Eye - One Pro Spectrophotometer

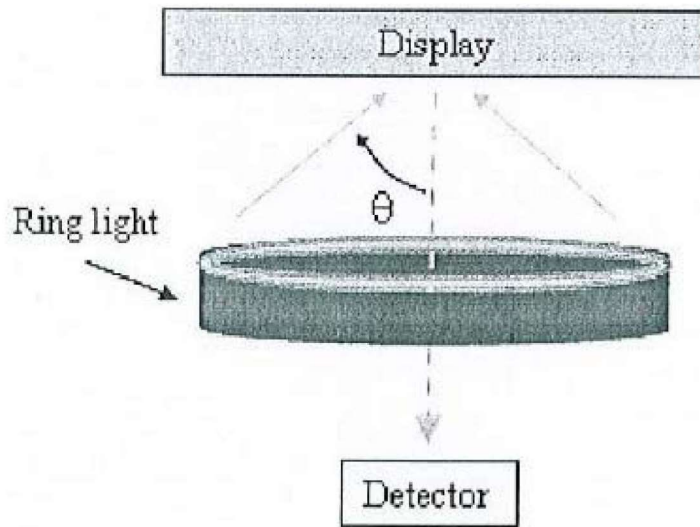
Note 16-2: We guarantee display quality from 0°C ~ 30°C generally, If operation ambient temperature from 0°C ~ 50°C, will Offer special waveform by Xingtai.

### 16.2 Definition of contrast ratio

The contrast ratio (CR) is the ratio between the reflectance in a full white area (R1) and the reflectance in a dark area (Rd) :

R1: white reflectance      Rd: dark reflectance

$$CR = R1/Rd$$

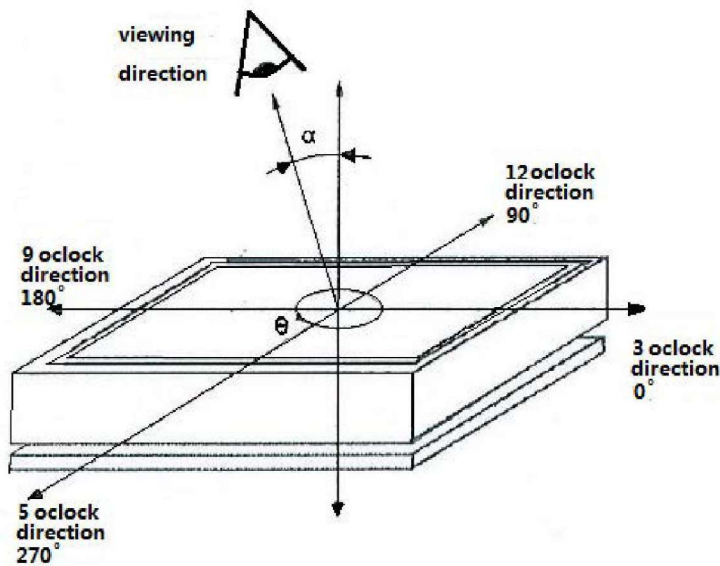


### 16.3 Reflection Ratio

The reflection ratio is expressed as :

$$R = \text{Reflectance Factor}_{\text{white board}} \times (L_{\text{center}} / L_{\text{white board}})$$

$L_{\text{center}}$  is the luminance measured at center in a white area (R=G=B=1) .  $L_{\text{white board}}$  is the luminance of a standard white board . Both are measured with equivalent illumination source . The viewing angle shall be no more than 2 degrees .



## 17. HANDLING, SAFETY AND ENVIRONMENTAL REQUIREMENTS

<b>WARNING</b>
The display glass may break when it is dropped or bumped on a hard surface. Handle with care. Should the display break, do not touch the electrophoretic material. In case of contact with electrophoretic material, wash with water and soap.

<b>CAUTION</b>
The display module should not be exposed to harmful gases, such as acid and alkali gases, which corrode electronic components.
Disassembling the display module can cause permanent damage and invalidate the warranty agreements.
IPA solvent can only be applied on active area and the back of a glass. For the rest part, it is not allowed.

Observe general precautions that are common to handling delicate electronic components. The glass can break and front surfaces can easily be damaged. Moreover the display is sensitive to static electricity and other rough environmental conditions.

<b>Mounting Precautions</b>	
(1) It's recommended that you consider the mounting structure so that uneven force (ex. Twisted stress) is not applied to the module.	
(2) It's recommended that you attach a transparent protective plate to the surface in order to protect the EPD. Transparent protective plate should have sufficient strength in order to resist external force.	
(3) You should adopt radiation structure to satisfy the temperature specification.	
(4) Acetic acid type and chlorine type materials for the cover case are not desirable because the former generates corrosive gas of attacking the PS at high temperature and the latter causes circuit break by electro-chemical reaction.	
(5) Do not touch, push or rub the exposed PS with glass, tweezers or anything harder than HB pencil lead. And please do not rub with dust clothes with chemical treatment. Do not touch the surface of PS for bare hand or greasy cloth. (Some cosmetics deteriorate the PS)	
(6) When the surface becomes dusty, please wipe gently with absorbent cotton or other soft materials like chamois soaks with petroleum benzene. Normal-hexane is recommended for cleaning the adhesives used to attach the PS. Do not use acetone, toluene and alcohol because they cause chemical damage to the PS.	
(7) Wipe off saliva or water drops as soon as possible. Their long time contact with PS causes deformations and color fading.	
Product specification	The data sheet contains final product specifications.

<b>Limiting values</b>
------------------------

Limiting values given are in accordance with the Absolute Maximum Rating System (IEC 134). Stress above one or more of the limiting values may cause permanent damage to the device. These are stress ratings only and operation of the device at these or any other conditions above those given in the Characteristics sections of the specification is not implied. Exposure to limiting values for extended periods may affect device reliability.
--

<b>Application information</b>
--------------------------------

Where application information is given, it is advisory and does not form part of the specification.
---

<b>Product Environmental certification</b>
--

ROHS
------

<b>REMARK</b>
---------------

All The specifications listed in this document are guaranteed for module only. Post-assembled operation or component(s) may impact module performance or cause unexpected effect or damage and therefore listed specifications is not warranted after any Post-assembled operation.
---

## 18. Reliability test

	TEST	CONDITION	METHOD	REMARK
1	High-Temperature Operation	T=50°C, RH=30%RH, For 240Hr	IEC 60 068-2-2Bb	
2	Low-Temperature Operation	T = 0°C for 240 hrs	IEC 60 068-2-2Ab	
3	High-Temperature Storage	T=70°C RH=40%RH For 240Hr Test in white pattern	IEC 60 068-2-2Bb	
4	Low-Temperature Storage	T = -25°C for 240 hrs Test in white pattern	IEC 60 068-2-2Ab	
5	High Temperature, High-Humidity Operation	T=40°C, RH=90%RH, For 240Hr	IEC 60 068-2-3CA	
6	High Temperature, High-Humidity Storage	T=60°C, RH=80%RH, For 480Hr Test in white pattern	IEC 60 068-2-3CA	
7	Temperature Cycle	-25°C(30min)~70°C(30min), 50 Cycle Test in white pattern	IEC 60 068-2-14NB	
8	Package Vibration	1.04G,Frequency : 10~500Hz Direction : X,Y,Z Duration:1hours in each direction	Full packed for shipment	
9	Package Drop Impact	Drop from height of 122 cm on Concrete surface Drop sequence:1 corner, 3edges, 6face One drop for each.	Full packed for shipment	
10	UV exposure Resistance	765 W/m <sup>2</sup> for 168hrs,40°C	IEC 60068-2-5 Sa	
11	Electrostatic discharge	Machine model: +/-250V,0Ω,200pF	IEC61000-4-2	

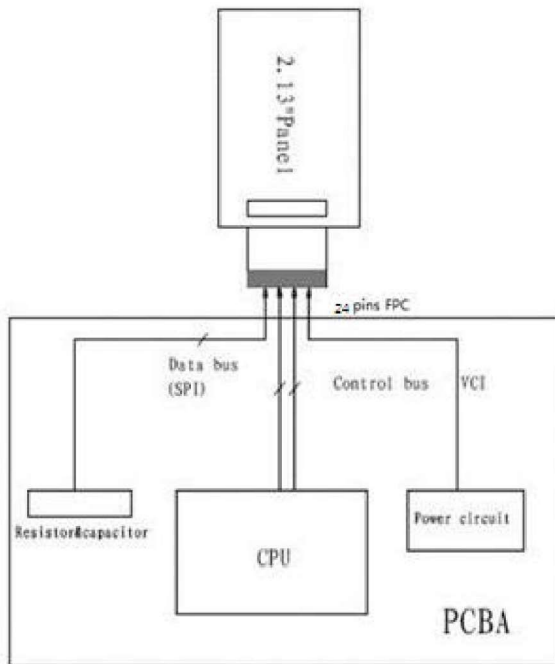
Actual EMC level to be measured on customer application.

Note1: The protective film must be removed before temperature test.

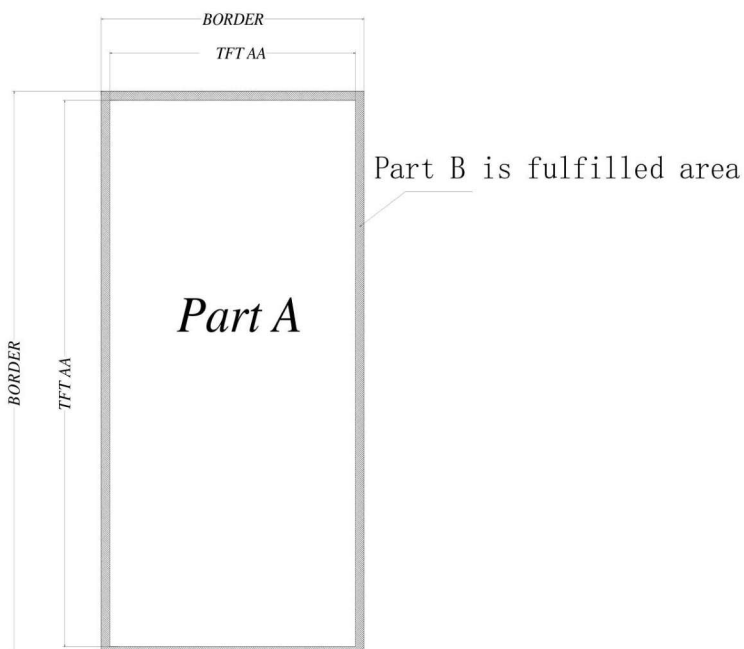
Note2: Stay white pattern for storage and non-operation test.



## 19. Block Diagram

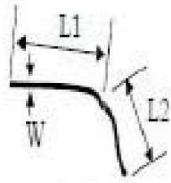


## 20. PartA/PartB specification



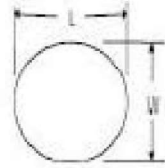
## 21. Point and line standard

Shipment Inspection Standard						
Equipment: Electrical test fixture, Point gauge						
Outline dimension	29.2(H) × 59.2(V) × 1.05(D)	Unit: mm	Part-A	Active area	Part-B	Border area
Environment	Temperature	Humidity	Illuminance	Distance	Time	Angle
	19°C ~ 25°C	55% ± 5%RH	800 ~ 1300Lux	300 mm	35Sec	
Defet type	Inspection method	Standard		Part-A	Part-B	
Spot	Electric Display	D ≤ 0.25 mm		Ignore	Ignore	
		0.25 mm < D ≤ 0.4 mm		N ≤ 4	Ignore	
		D > 0.4 mm		Not Allow	Ignore	
Display unwork	Electric Display	Not Allow		Not Allow	Ignore	
Display error	Electric Display	Not Allow		Not Allow	Ignore	
Scratch or line defect(include dirt)	Visual/Film card	L ≤ 2 mm, W ≤ 0.2 mm		Ignore	Ignore	
		2.0mm < L ≤ 5.0mm, 0.2 < W ≤ 0.3mm,		N ≤ 2	Ignore	
		L > 5 mm, W > 0.3 mm		Not Allow	Ignore	
PS Bubble	Visual/Film card	D ≤ 0.2mm		Ignore	Ignore	
		0.2mm ≤ D ≤ 0.35mm & N ≤ 4		N ≤ 4	Ignore	
		D > 0.35 mm		Not Allow	Ignore	
Side Fragment	Visual/Film card	X ≤ 5mm, Y ≤ 0.5mm, Do not affect the electrode circuit, Ignore				
						
Remark	1. Cannot be defect & failure cause by appearance defect;					
	2. Cannot be larger size cause by appearance defect;					
	L=long W=wide D=point size N=Defects NO					



$$L = L_1 + L_2$$

Line Defect



$$D = (L + W) / 2$$

Spot Defect

L=long      W=wide    D=point size