



Insertion Loss: 1-100MHZ -1.0dB MAX

Return Loss: 1-30MHZ -18.0dB MIN  
 30-60MHZ -16.0dB MIN  
 60-80MHZ -12.0dB MIN

Cross Talk: 1-30MHZ -40.0dB MIN  
 30-60MHZ -35.0dB MIN  
 60-80MHZ -30.0dB MIN

CMR: 1-100MHZ -30.0dB MIN

Hi-Pot: 1500v AC 60S 1mA

Turn Ratio: 1CT:1CT+/-3%

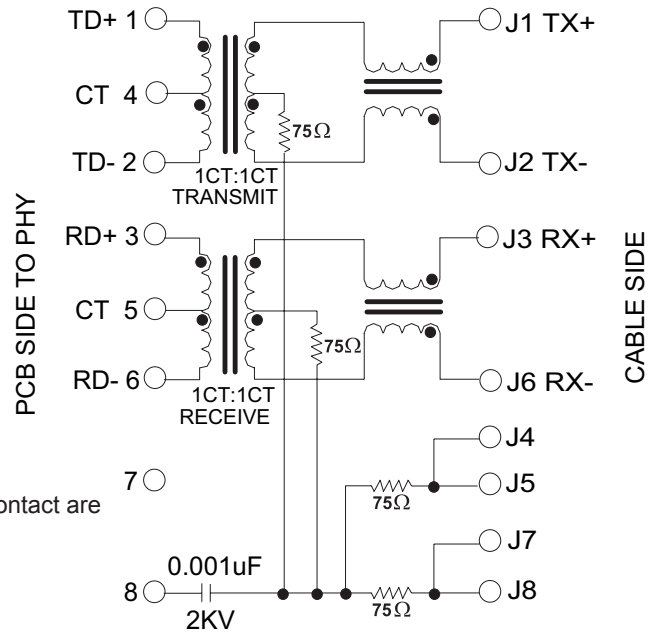
OCL:400uH MIN @ 100KHZ 100mV 8mA DC

Contacts: 0.35mm thick phos bronze plated with 6u' gold in contact are

Housing Material: PBT Black

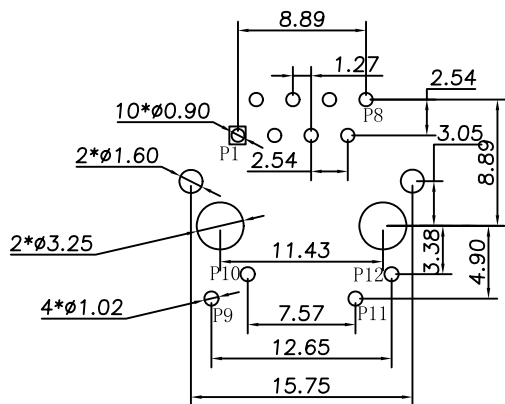
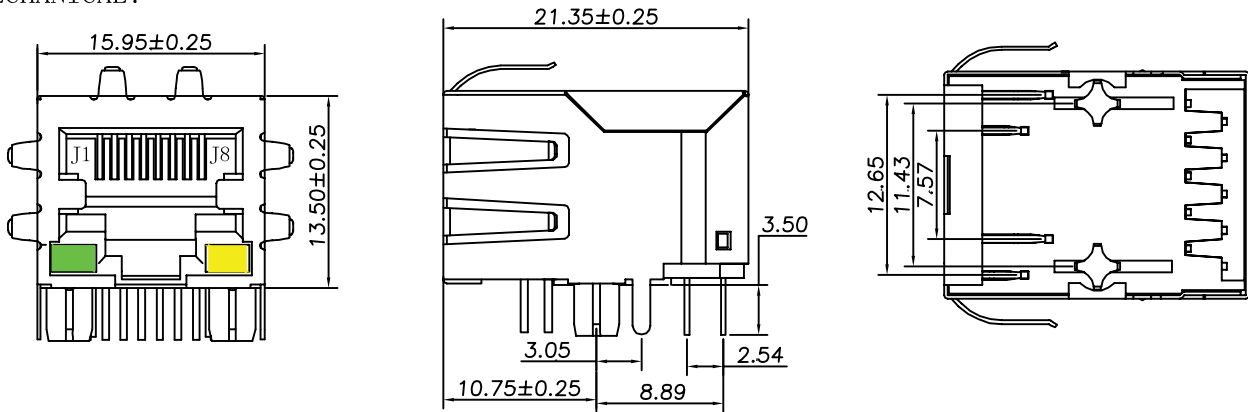
Operating temperature range:-40°Cto+85°C

## Schematics



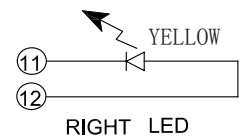
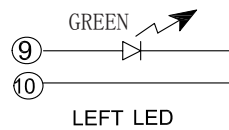
## ELECTRICAL SPECIFICATIONS @ 25°C unless otherwise noted:

### MECHANICAL :



### Connect Material:

Housing:Thermoplastic,PBT,UL 94V-0,Black  
 Contact/Shield:Cooper alloy  
 Shield Plating:Nickel  
 Contact Plating:Selective gold 6u" Min



P. C. B RECOMMENDED HOLE LAYOUT SEEN FROM COMPONENT SIDE.  
 ALL CENTERLINE DIMENSTONS ARE BASIC

单位(units)	MM	设计(draw)	邓辉剑	材料 (mt'1)	图名 (name)	RJ45 Modular Jack 1x1Tab-Down 100BASE
比例 (scale)	1 : 1	审核 (ch'k)	朱建华	UNIT:mm .xx +/-0.25, xxx +/-0.13	料号 (Part number)	ZPY - 4110ANLF
版次 (rev.)	A / 1	核准 (app'd)	朱建华	HOUSING	图档 (File Name)	E:\工程图
视图 (view)		日期 (date)	2008. 08. 12	PIN	Qsn6. 5-0. 1	