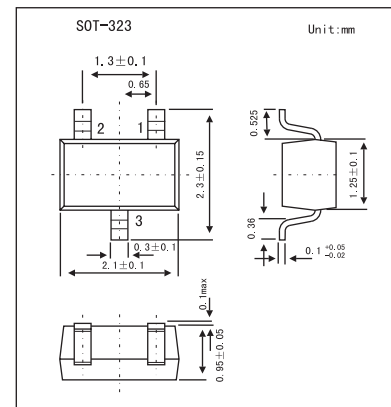


Shottky barrier diode

RB715F

■ Features

- Small mold type. (UMD3)
- High reliability.



■ Absolute Maximum Ratings Ta = 25°C

| Parameter | Symbol | Limits | Unit |
|---|------------------|-------------|------|
| Reverse voltage (repetitive peak) | V _{RM} | 40 | V |
| Reverse voltage (DC) | V _R | 40 | V |
| Average rectified forward current | I _o | 30 | mA |
| Forward current surge peak (60Hz ·1cyc) * | I _{FSM} | 200 | mA |
| Junction temperature | T _j | 125 | °C |
| Storage temperature | T _{stg} | -40 to +125 | °C |

* Rating of per diode

■ Electrical Characteristics Ta = 25°C

| Parameter | Symbol | Conditions | Min | Typ | Max | Unit |
|-------------------------------|----------------|--------------------------------|-----|-----|------|------|
| Forward voltage | V _F | I _F = 1 mA | | | 0.37 | V |
| Reverse current | I _R | V _R = 10 V | | | 1 | μA |
| Capacitance between terminals | C _t | V _R = 1 V, f = 1MHz | | 2.0 | | pF |

■ Marking

| | |
|---------|----|
| Marking | 3D |
|---------|----|