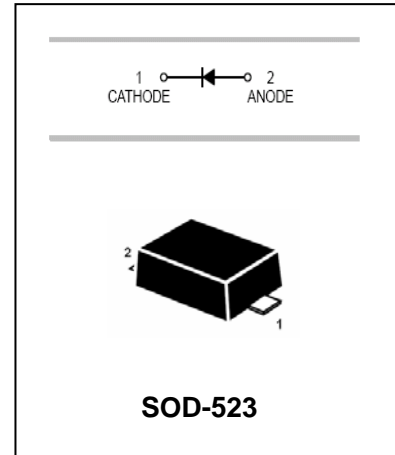


## High speed Switching Diode

## BAS16X

### FEATURES

- Small package.
- High speed switching.



### APPLICATIONS

- High speed switching application.

### ORDERING INFORMATION

Type No.	Marking	Package Code
BAS16X	A6	SOD-523

### MAXIMUM RATING @ Ta=25°C unless otherwise specified

Parameter	Symbol	Limits	Unit
DC Reverse voltage	$V_R$	75	V
Continuous forward current	$I_F$	200	mA
Peak forward surge current	$I_{FM}$	500	mA
Total power dissipation	$P_{tot}$	150	mW
Total resistance junction to ambient	$R_{\theta JA}$	635	°C/W
Junction temperature	$T_j$	150	°C
Storage temperature	$T_{stg}$	-55-150	°C

### ELECTRICAL CHARACTERISTICS @ Ta=25°C unless otherwise specified

Parameter	Symbol	Min.	Typ.	Max.	Unit	Conditions
Reverse breakdown voltage	$V_{(BR)R}$	75			V	$I_R=100\mu A$
Forward voltage	$V_F$			0.715 0.815 1 1.25	V	$I_F=1mA$ $I_F=10mA$ $I_F=50mA$ $I_F=150mA$
Reverse current	$I_R$			1.0	$\mu A$	$V_R=75V$
Diode capacitance	$C_d$			2.0	pF	$V_R=0V, f=1MHz$
Reverse recovery time	$t_{rr}$			6	ns	$I_F=I_R=10mA, R_L=50\Omega$

## High speed Switching Diode

## BAS16X

TYPICAL CHARACTERISTICS @  $T_a=25^\circ\text{C}$  unless otherwise specified

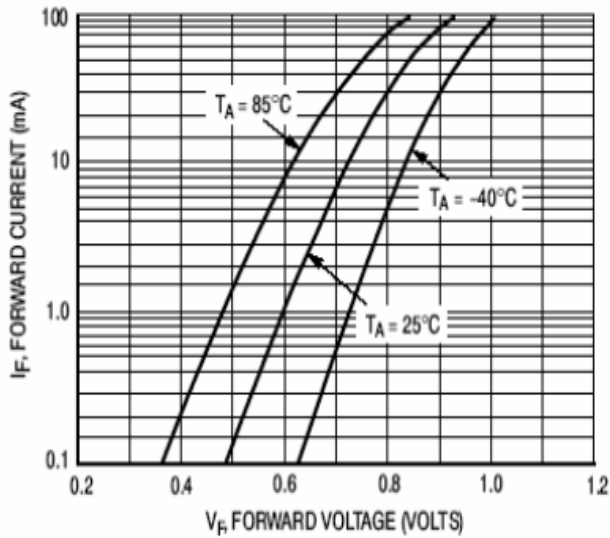


Figure 2. Forward Voltage

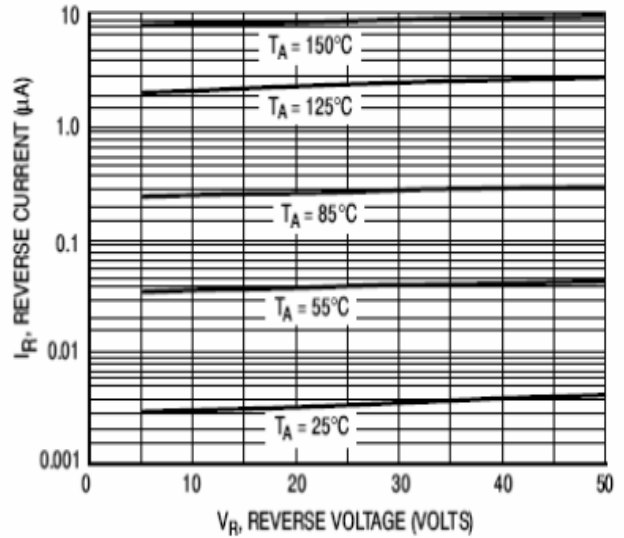


Figure 3. Leakage Current

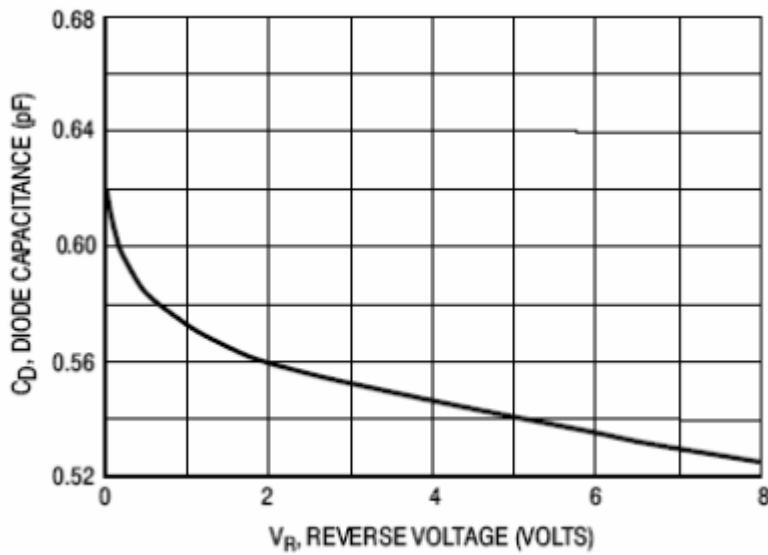


Figure 4. Capacitance

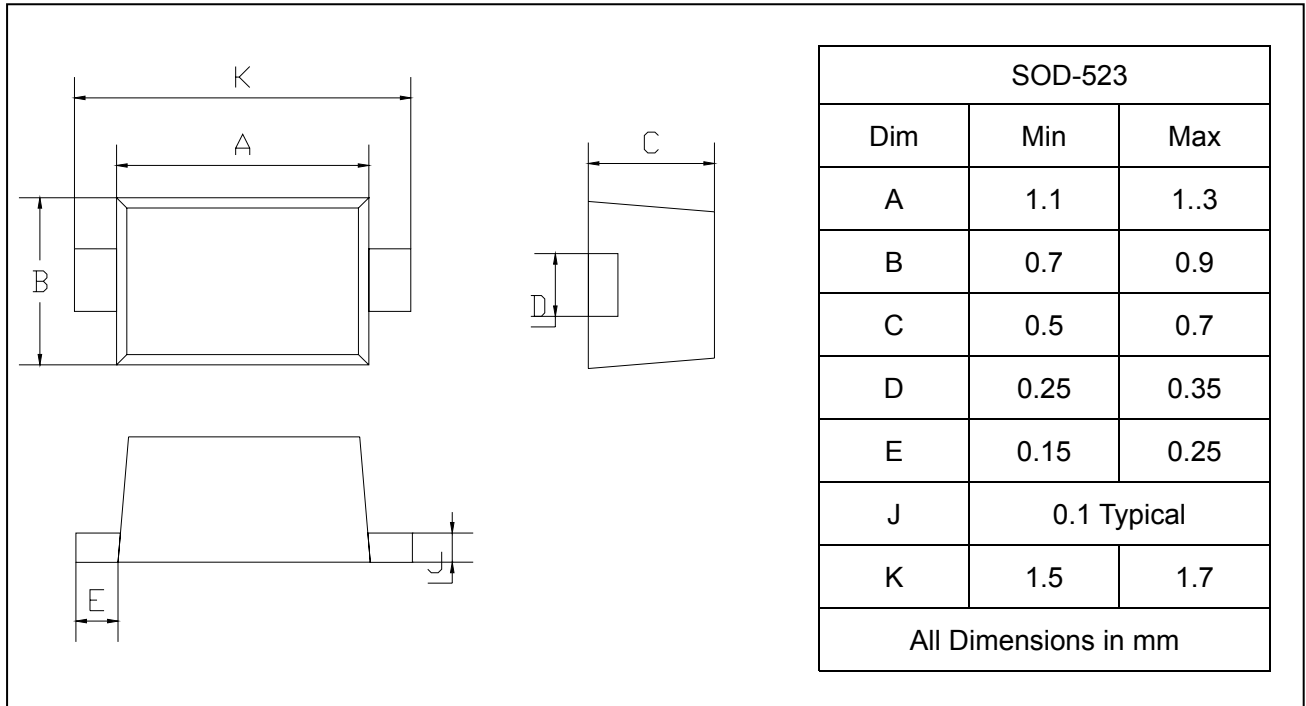
## High speed Switching Diode

## BAS16X

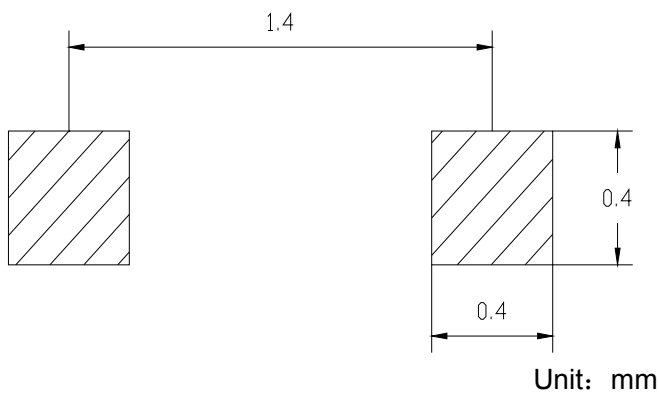
### PACKAGE OUTLINE

Plastic surface mounted package

SOD-523



### SOLDERING FOOTPRINT



### PACKAGE INFORMATION

Device	Package	Shipping
BAS16X	SOD-523	3000/Tape&Reel