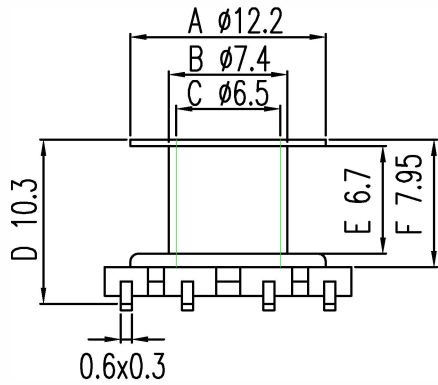
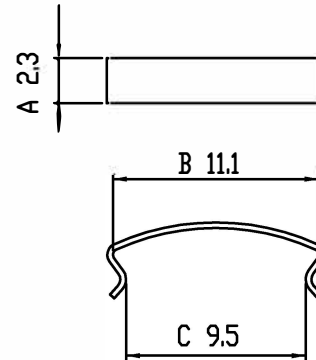


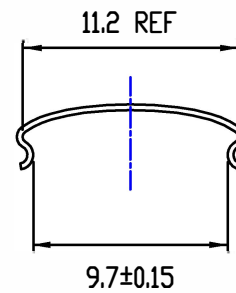
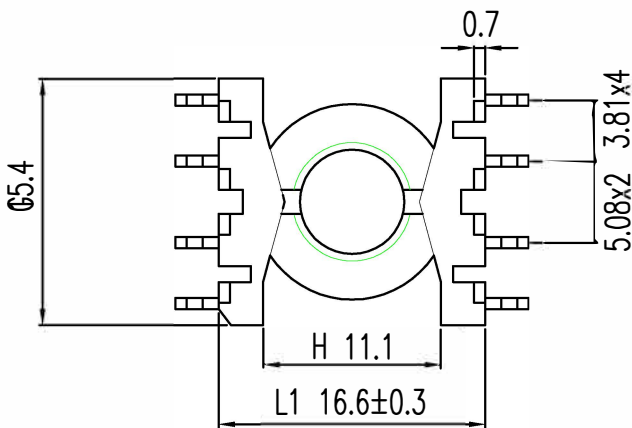
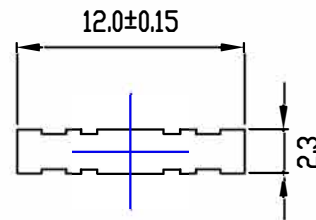
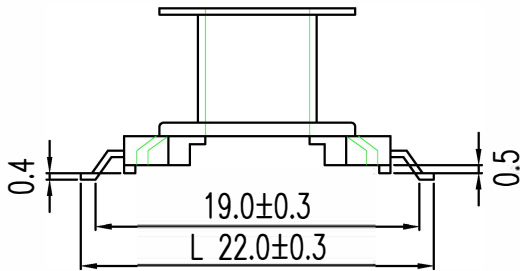
TPI NO.: SRM6004



TPI NO.: SRM6001-1



TPI NO.: SRM6001-S



DATE	REVISED STORY	MODEL :	RM 6-8PIN SMD (TPI NO.: SRM6004)
6/01'02	RELEASED THE NEW DRAWING SPEC.		RM-6 CLIP (TPI NO.:SRM6001-1)
			RM-6 CLIP (TPI NO.:SRM6001-S)
		BOBBIN MATERIAL :	LCP UL94V-0
		PIN MATERIAL :	PHOSPHORUS BRONZE (TIN PLATED)
		CLAMP MATERIAL :	SK7 0.4t
		DATE :	June 01,2002
		REV.:	A
		TOLERANCE :	.XXX \pm 0.08 .XX \pm 0.1 .X \pm 0.2