

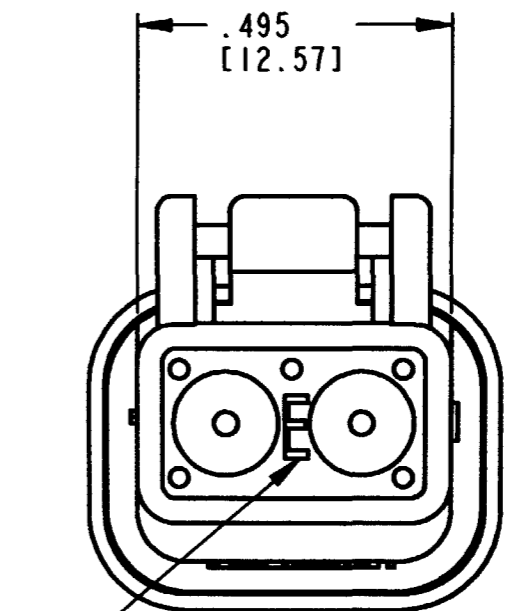
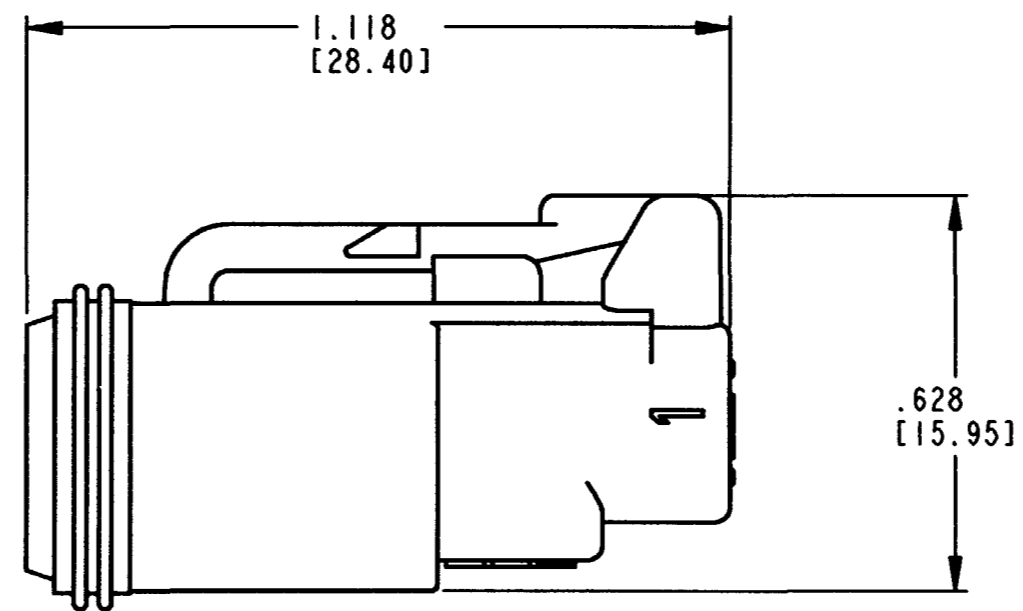
DATE LEGEND
 YEAR TO BE REPRESENTED BY LAST NUMERICAL DIGIT.
 MONTH USES SEQUENTIAL ALPHA CHARACTERS, EX: A=JANUARY...

- NOTES:
1. ALL DIMENSIONS ARE INCHES (MILLIMETERS).
 2. ALL DIMENSIONS ARE $\pm .025(0.63)$
 3. CONSULT FACTORY FOR SPECIFICATIONS AND APPLICATION.
 4. FOR MORE INFO. SEE ENVELOPE DRAWING 0425-017-0000 AND 0425-015-0000.
 5. THIS PLUG MATES WITH THE DT04-2P-**** RECEPTACLE (**** = ALL MODIFICATIONS).

REV
A DT06-2S-CE06

REVISIONS			
SYM	DESCRIPTION	DATE	APPROVED
NC	NEW RELEASE PER E.O. PI5977	3/29/99	R.D.R.
A	REVISED PER E.O. PI8582	5-26-04	RDR

CONTACT SIZE	MIN. INSUL O.D.	MAX. INSUL O.D.	WIRE RANGE [mm ²]
16	.053 [1.35]	.120 [3.05]	14-20 AWG [2.0-0.5]



—DESIGNATES -E- WIRE SEALS

SIGNATURE & DATE	
DR	D. SPENCER 17MAR99
CHK	J. LTM 5/25/04
PE	[Signature] 5/20/04
APPD	[Signature] 5-20-04
SCALE	3.5:1
WT	

**2 WAY PLUG
 CE06 MOD.
 DT SERIES**

ENVELOPE

CP	MATL. CODE
The Deutsch Company DEUTSCH I.P.D. 3850 INDUSTRIAL AVE. HEMET, CALIF. 92545	
B	DT06-2S-CE06
DWG SIZE	CODE 11139 SHEET 1 OF 1

Mouser Electronics

Authorized Distributor

Click to View Pricing, Inventory, Delivery & Lifecycle Information:

[TE Connectivity:](#)

[DT06-2S-CE06](#)