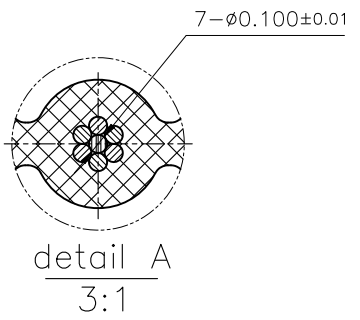
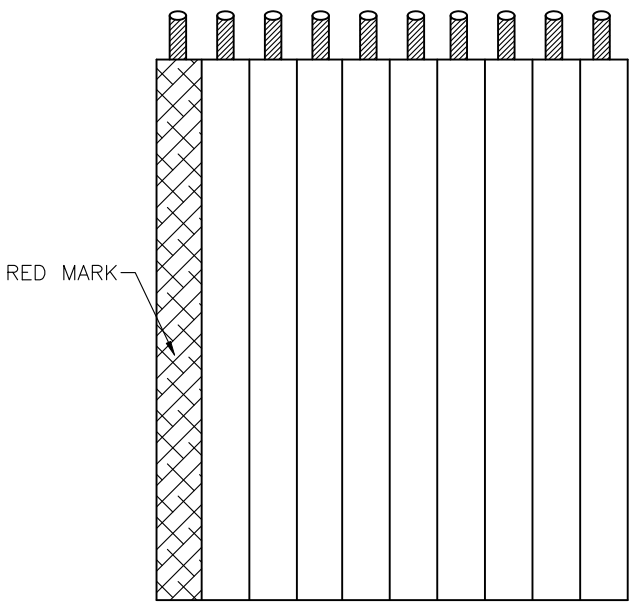
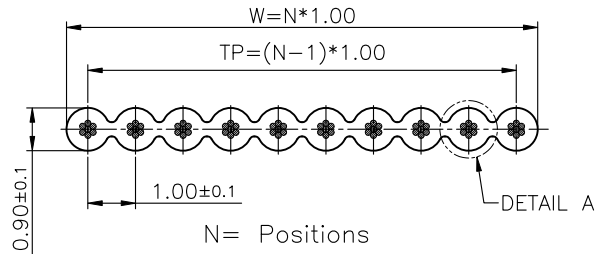


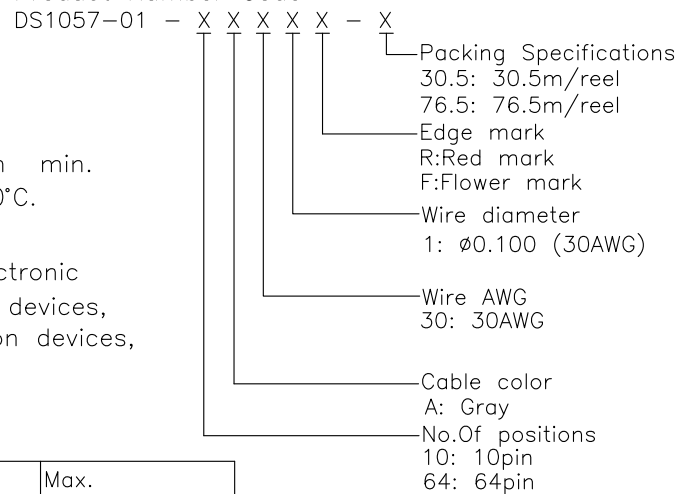
REV.	DESCRIPTION	DRAWN	CHECKED	APPROVED
A	NEW RELEASE	YCH 08/18/07	~	LJC 08/18/07
B	DELETE WIRE GAUGE	JLZ 11/16/15'	~	LJC 11/16/15'
C	DRAWING UPDATE	JLZ 08/31/16'	~	



NOTES:


- Insulation material: PVC  
Color: Grey
- SPECIFICATION
  - Rating: 300V
  - Conductor Size: 30AWG
  - Insulation resistance: 100MΩ/km min.
  - Operating temperature: -20°C~70°C.
- APPLICATION
  - Internal wiring of computers, electronic exchanges, measurement control devices, business machines, communication devices, and other electronic equipment.

4. Product Number Code



Number	Dimensions			Max. conductor resistance DC 20°C Ω/m
	TP(mm)	W(mm)	Tolerance	
10	9.00	10.00	±0.30	∅0.100<0.397
14	13.00	14.00	±0.30	
16	15.00	16.00	±0.30	
20	19.00	20.00	±0.30	
24	23.00	24.00	±0.30	
26	25.00	26.00	±0.30	
30	29.00	30.00	±0.30	
34	33.00	34.00	±0.40	
40	39.00	40.00	±0.40	
50	49.00	50.00	±0.40	
60	59.00	60.00	±0.40	
64	63.00	64.00	±0.40	

GENERAL TOLERANCE	ANGLE TOLERANCE		PROJECTION	UNITS	TITLE
X. ±0.60	X. ±5°	⊕	mm	UL 2651 PITCH 1.00mm FLAT CABLE	
.X ±0.38	.X ±3°	□	A4	SERIES	DS1057-01
.XX ±0.25	.XX ±2°	○			
DRAWING TYPE	CUSTOMER				
SCALE	1:1	SHEET	1 OF 1		
DRAWING NO.	C-DS1057-01-XXXXX-C				


**晨翔电子有限公司**  
**CONNPLY CONNPLY ELECTRONIC CO. LTD**