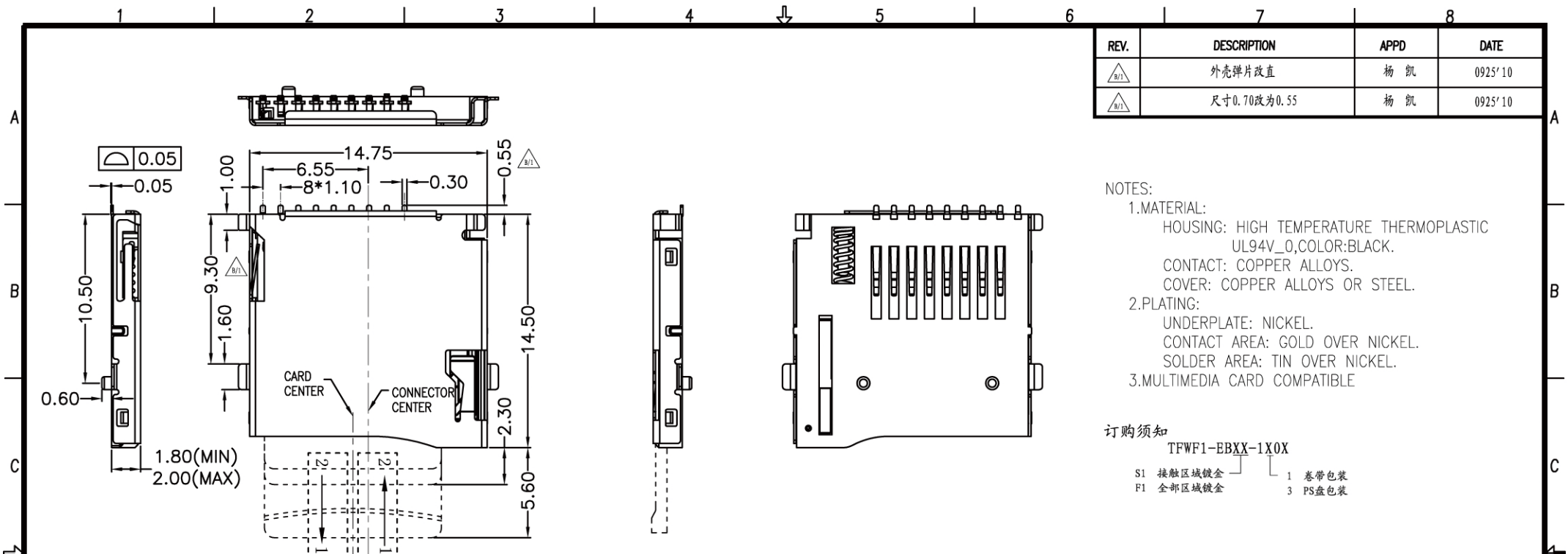
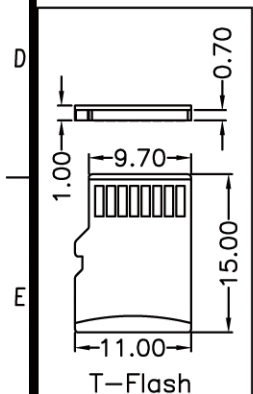
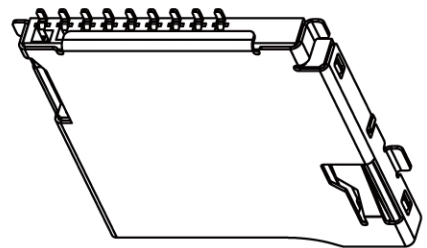


REV.	DESCRIPTION	APPD	DATE
B/1	外壳弹片改直	杨凯	0925'10
B/1	尺寸0.70改为0.55	杨凯	0925'10



NOTES:  
 1.MATERIAL:  
 HOUSING: HIGH TEMPERATURE THERMOPLASTIC UL94V\_0,COLOR:BLACK.  
 CONTACT: COPPER ALLOYS.  
 COVER: COPPER ALLOYS OR STEEL.  
 2.PLATING:  
 UNDERPLATE: NICKEL.  
 CONTACT AREA: GOLD OVER NICKEL.  
 SOLDER AREA: TIN OVER NICKEL.  
 3.MULTIMEDIA CARD COMPATIBLE

订购须知  
 TFWF1-EBXX-1X0X  
 S1 接触区域镀金 1 卷带包装  
 F1 全部区域镀金 3 PS盘包装



PIN NO.	NAME	YYPE	DESCRIPTION
1	DAT2	I/O/PP	DATE LINE(BIT2)
2	CD/DAT3	I/O/PP	CARD DETECT DATE LIN(BIT3)
3	CMD	PP	COMMAND RESPONSE
4	VDD	S	SUPPLY VOLTAGE
5	CLX	I	CLOCK
6	VSS	S	SUPPLY VOLTAGE GROUND
7	DATO	I/O/PP	DATE LINE(BITO)
8	DAT1	I/O/PP	DATE LINE(DIT1)

RECOMMENDED P.C.B HOLE LAYOUT  
 COMPONENT SIDE VIEW(TOLERANCE: +/-0.05)

PART NO: TFWF1-EBXX-1X0X		MATERIAL:		TITLE: T-FLASH 外焊 PUSH (手机版)	
LOT NO: 11XX00011X		FINSH:			
UNIT: MM	SIZE: A4	COLOR:		DR: PENTUM 0826'09	DWG NO: FP-090012
TOLERANCES: X.X=±0.35 X.XX=±0.25 X.XXX=±0.15		GENERAL ANGLE: X.X=±3.0° X.XX=±2.0°		CHK:	REV: B/1
APP:		SCALE: 1:1	SHEET: 1 OF 3		