

JQX-62F

MINIATURE HIGH POWER RELAY



File No.:E133481



File No.:R9934089



File No.:CQC02001001951



Features

- 20A switching capabilities
- 5KV dielectric between coil to contacts
- 10KV surge voltage between coil to contacts
- Meet requirements of 8mm creepage distance

CONTACT DATA

| | |
|---------------------------------|-------------------------|
| Cantact Arrangement | 1A |
| Initial Contact Resistance Max. | 50mΩ(at 1A 6VDC) |
| Contact Material | AgSnO ₂ |
| Contact Rating (Res. Load) | 16A 250VAC 16A 30VDC |
| Max. switching voltage | 277VAC/30VDC |
| Max. switching current | 20A |
| Max. switching power | 4000VAC/480W |
| Mechanical life | 1 x 10 ⁷ OPS |
| Electrical life | 1 x 10 ⁵ OPS |

COIL

| | |
|------------|-------|
| Coil power | 0.54W |
|------------|-------|

COIL DATA

| Nominal Voltage VDC | Pick-up Voltage VDC | Drop-out Voltage VDC | Max. allowable Voltage VDC(at 20°C) | Coil Resistance Ω |
|---------------------|---------------------|----------------------|-------------------------------------|-------------------|
| 5 | 4.0 | 0.5 | 6.50 | 47 ± 10% |
| 6 | 4.8 | 0.6 | 7.80 | 68 ± 10% |
| 9 | 7.2 | 0.9 | 11.7 | 155 ± 10% |
| 12 | 9.6 | 1.2 | 15.6 | 270 ± 10% |
| 18 | 14.4 | 1.8 | 23.4 | 620 ± 10% |
| 24 | 19.2 | 2.4 | 31.2 | 1100 ± 10% |
| 48 | 38.4 | 4.8 | 62.4 | 4400 ± 10% |

CHARACTERISTICS

| | | |
|-------------------------------|--|-----------------------|
| Initial Insulation Resistance | 1000MΩ (500 VDC) | |
| Dielectric Strength | Between coil and contacts | 5000VAC 1min. |
| | Between open contacts | 1000VAC 1min. |
| Operate time (at nomi. Volt.) | Max. 20ms | |
| Release time (at nomi. Volt.) | Max. 10ms | |
| Humidity | 35% to 85% RH,+40°C | |
| Ambient temperature | Class B | -40°C to +70°C |
| | Class F | -40°C to +85°C |
| Shock Resistance | Functional | 100 m/s ² |
| | Destructive | 1000 m/s ² |
| Vibration Resistance | 1.5mm, 10 to 55Hz | |
| Termination | QC (contact terminal) PCB (coil terminal) | |
| Unit weight | Approx.15g | |
| Construction | Unsealed | |

SAFETY APPROVAL RATINGS

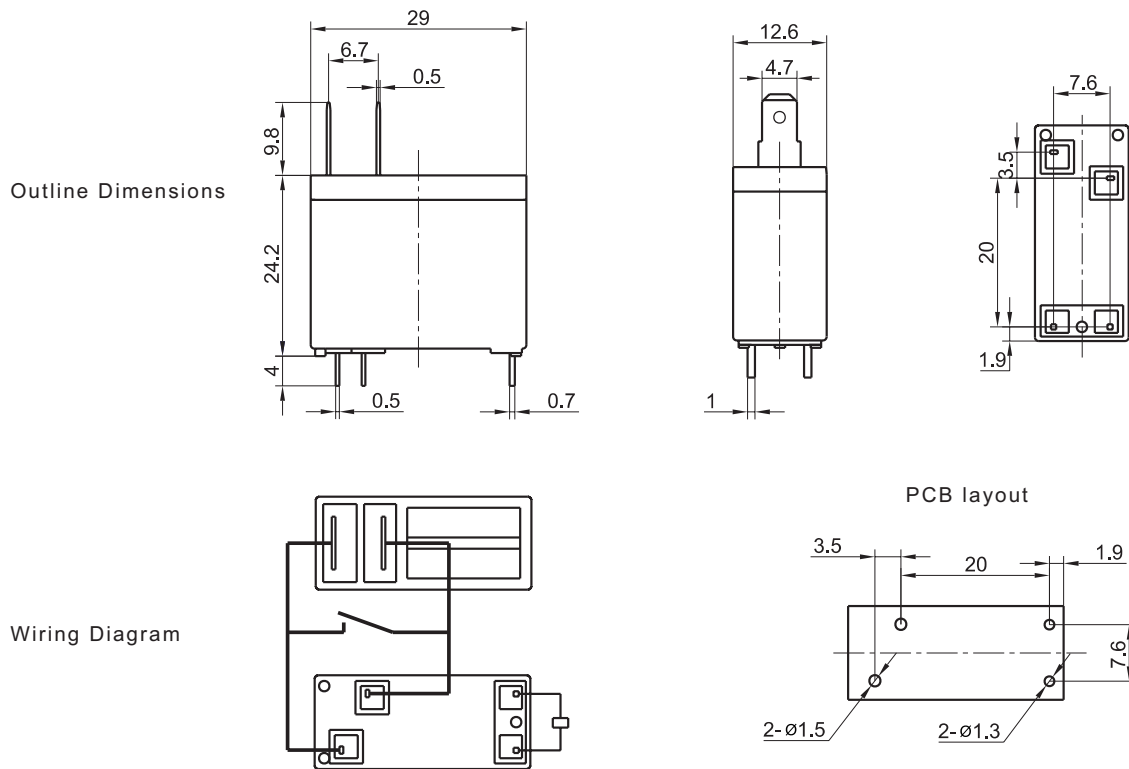
| | |
|-----|-------------------------|
| UL | 16A 250VAC |
| | 16A 30VDC 20A 125VAC |
| TÜV | 16A 250VAC cos phi=1 |
| | 16A 30VDC cos phi=1 |



ORDERING INFORMATION

| | | | | |
|---------------------|----------------------------|-----|----|---|
| Type | JQX-62F / | 012 | 1H | F |
| Coil voltage | 5, 6, 9, 12, 18, 24, 48VDC | | | |
| Contact arrangement | 1H: 1A (SPST-NO) | | | |
| Insulation Standard | F: Class F Nil: Class B | | | |

OUTLINE DIMENSIONS, WIRING DIAGRAM AND PC BOARD LAYOUT



CHARACTERISTICS CURVE

