

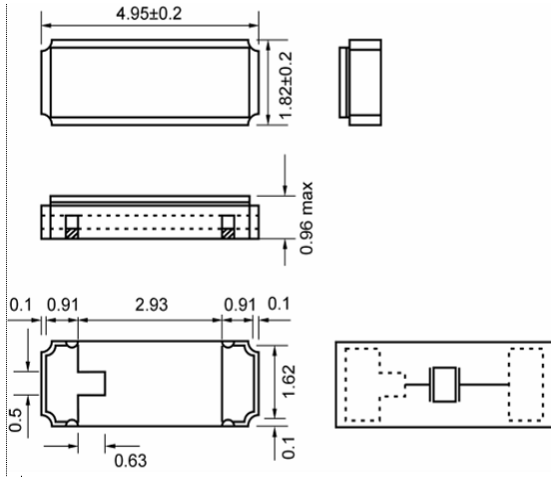


Quartz Crystal

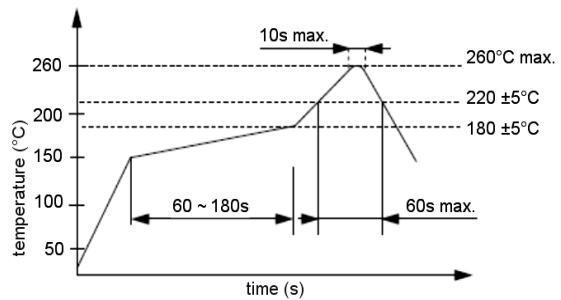
SMD-version

model	KX – 327XS
frequency	32,768 kHz
operating temperature	standard -20° ~ +70°C available -40° ~ +85°C (= KX-327XST)
frequency tolerance at +25°C	standard ± 20 ppm available ± 10 ppm
temperature tolerance (parabolic coefficient) at -20° ~ +70°C -40° ~ +85°C	-0,034 ±0,006 ppm/°C ² typ
turnover temperature	+25°C ± 5°C
storage temperature range	-55°C ~ +125°C
load capacitance C _L	standard 12,5 pF available 6 pF, 9 pF
series resonance R ₁ max.	65k Ohm
aging at +25°C (first year) max.	± 5 ppm
shunt capacitance C ₀ max.	2 pF
drive level in mW max.	0,001
RoHS	according to RoHS 2011/65/EU
contents of reel	3000 pcs.
part no.	12.87110 ~ 12.87149

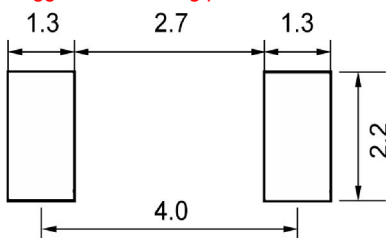
Dimensions (mm):



Reflow soldering condition:



Suggested soldering pad:



Tape specification:

