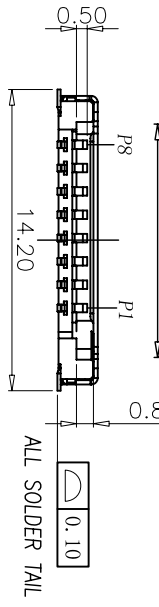
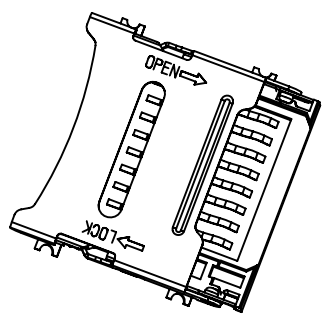
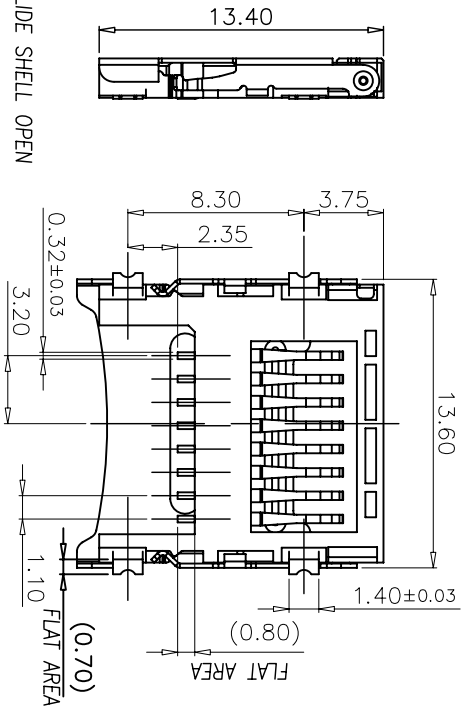
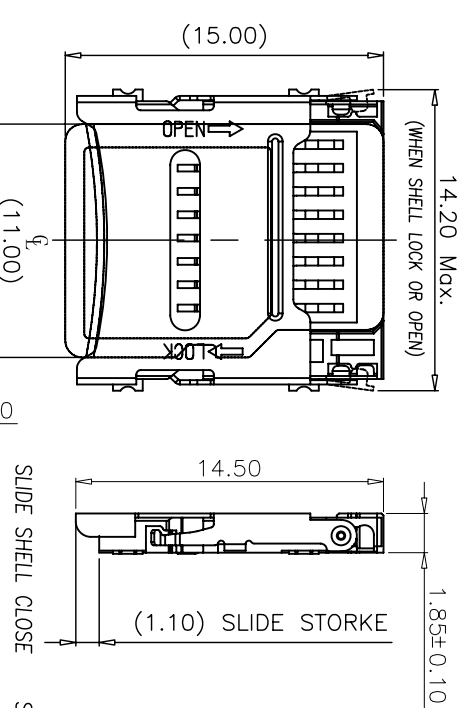


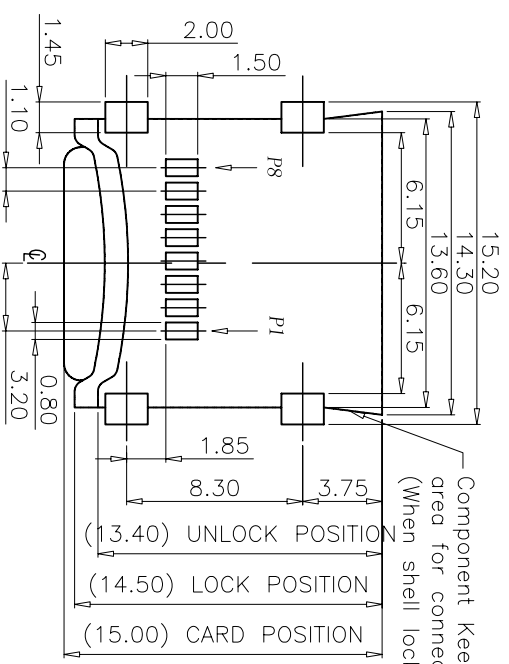
RoHS Compliant

客户图面

REV	DESCRIPTION	APPR	CHECK	DRW	DATE
1	原始图档		JACK	Yang	080606



ALL SOLDER TAIL



Component Keep out area for connector. (When shell lock or open)

Memory Card Pin Assignment	Pin No.	NAME	TYPE	DESCRIPTION
1	DATA 2	I/O/PP	Date Line(bit2)	
2	CD/DAT 3	I/O/PP	Card Detect/Date Line(bit3)	
3	CMD	PP	Command Response	
4	VDD	S	Supply Voltage	
5	CLK	I	Clock	
6	VSS	S	Supply Voltage Ground	
7	DAT0	I/O/PP	Date Line(bit0)	
8	DAT1	I/O/PP	Date Line(bit1)	

- NOTES:
- MATERIAL:
 - 1-1.HOUSING:ICP MG350 30%/F,U194 V-0,COLOR:BLACK;
 - 1-2.CONTACT:COPPER ALLOY T=0.15mm
 - 1-3.SHIELDED:STAINLESS STEEL T=0.20mm
 - FINISH:
 - 2-1.CONTACT: 10 u" GOLD PLATING ON CONTACT AREA Sn 100u" MIN. PLATING ON SOLDER TAILS 50U" MIN,NICKEL UNDERPLATING OVER ALL
 - 2-2.SHIELDED: NO PLATING
 - PRODUCT SPECIFICATIONS:
 - 3-1.VOLTAGE RATING: 100V
 - 3-2.CURRENT RATING: 0.5A
 - 3-3.INSULATION RESISTANCE: 1000 MEG.OHM MIN
 - 3-4.CONTACT RESISTANCE: 100 MILL.OHM MAX
 - 3-5.OPERATION TEMPERATURE: -20° TO +85°

RECOMMENDED PCB LAYOUT(TOP VIEW)
GENERAL TOLERANCES:±0.05

QUALITY SYMBOLS		GENERAL TOLERANCES (UNLESS SPECIFIED)		SCALE: 1:1	NUMBER:
		MM	INCH		
.X	±0.25	.X	⑩		
.XX	±0.15	.XX	⑨		
.XXX	±0.05	.XXX	⑧		
ANGULAR ±1°					
DRAFT WHERE APPLICABLE MUST REMAIN WITHIN DIMENSIONS					
DESIGNED BY: JKC/YANG	DATE:	TITLE: TP卡座 H=1.8mm掀盖式			
CHECKED BY:	DATE:	THIRD ANGLE PROJECTION			
APPROVED BY:	DATE:	PART NO. S2009-015-006A2	REV. NO. 1/1		
		SHENZHEN CITY SHENGDA TECHNOLOGY LIMITED COMPANY			

