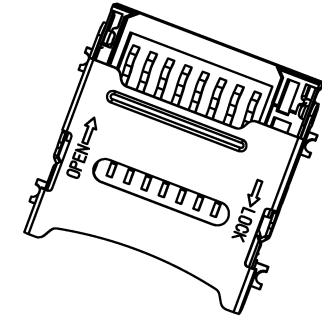
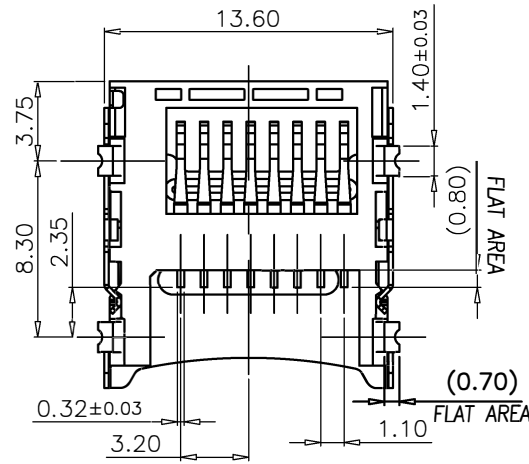
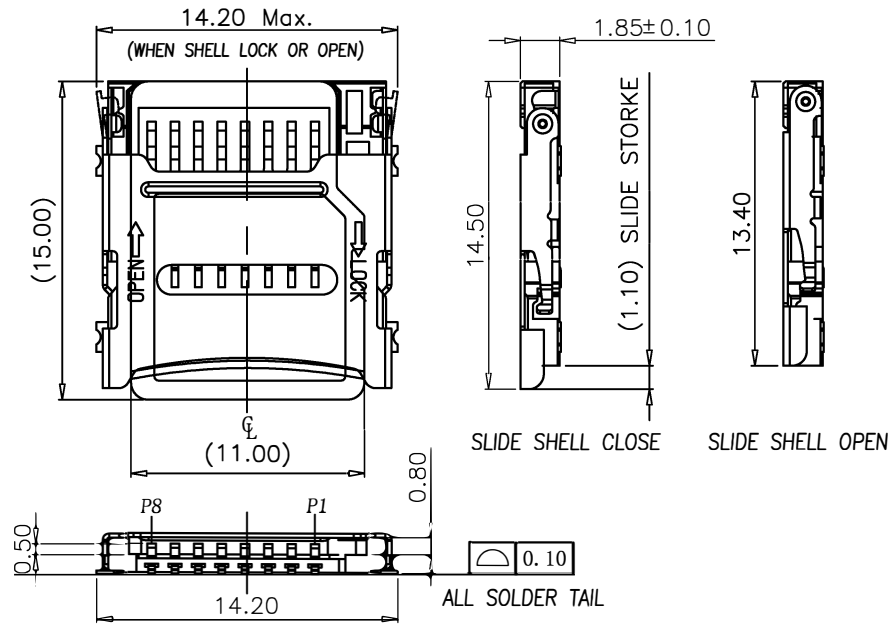


RoHS Compliant

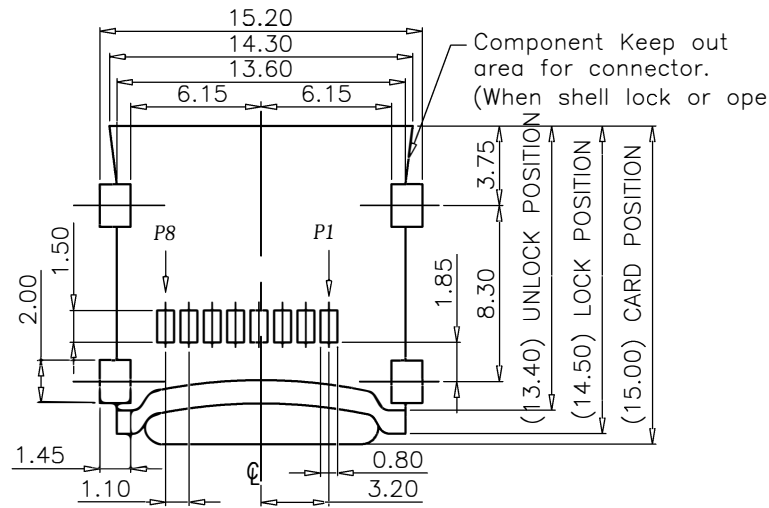
客户图面

REV	DESCRIPTION	APPR	CHECK	DRAW	DATE
△	原始图档		JACK	Yang	080606



NOTES:

- MATERIAL:
  - 1-1.HOUSING:LCP MG350 30%G/F,UL94 V-0,COLOR:BLACK;
  - 1-2.CONTACT:COPPER ALLOY T=0.15mm
  - 1-3.SHIELDED:STAINLESS STEEL T=0.20mm
- FINISH:
  - 2-1.CONTACT: 10 u" GOLD PLATING ON CONTACT AREA  
Sn 100u" MIN. PLATING ON SOLDER TAILS  
50u" MIN.NICKEL UNDERPLATING OVER ALL
  - 2-2.SHIELDED: NO PLATING
- PRODUCT SPECIFICATIONS:
  - 3-1.VOLTAGE RATING: 100V
  - 3-2.CURRENT RATING: 0.5A
  - 3-3.INSULATION RESISTANCE: 1000 MEG.OHM MIN
  - 3-4.CONTACT RESISTANCE: 100 MILL.OHM MAX
  - 3-5.OPERATION TEMPERATURE: -20° TO +85°



Memory Card Pin Assianment

Pin No.	NAME	TYPE	DESCRIPTION
1	DAT 2	I/O/PP	Date Line(bit2)
2	CD/DAT 3	I/O/PP	Card Detect/Date Line(bit3)
3	CMD	PP	Command Response
4	VDD	S	Supply Voltage
5	CLK	I	Colck
6	VSS	S	Supply Voltage Ground
7	DATO	I/O/PP	Date Line(bit0)
8	DAT1	I/O/PP	Date Line(bit1)

RECOMMENDED PCB LAYOUT(TOP VIEW)  
GENERAL TOLERANCES:±0.05

QUALITY SYMBOLS	GENERAL TOLERANCES (UNLESS SPECIFIED)		SCALE: 1:1	NUMBER:	TITLE: BLTF-09 H=1.8mm掀盖式
	MM	INCH	MATERIAL:	HRC:	
▽ <sub>0</sub>	.X ±0.25	.X Ⓢ----	DRAWN BY: JK-YANG	DATE:	THIRD ANGLE PROJECTION
	.XX ±0.15	.XX Ⓢ----	CHECKED BY:	DATE:	
▽ <sub>C</sub>	.XXX ±0.05	.XXX Ⓢ----	APPROVED BY:	DATE:	REVISION ON CAD ONLY
	ANGULAR ±1°		PART NO. SD3M03-D115-0026A2	DWG NO.:	SHEET NO. 1/1
DRAFT WHERE APPLICABLE MUST REMAIN WITHIN DIMENSIONS		BENTEX LIMITED (HK)			