



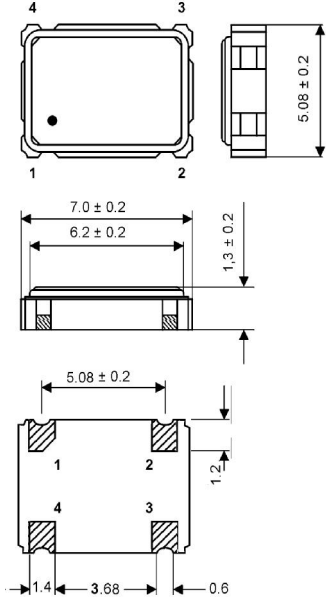
Clock Oscillator

SMD-version

5V

model	KXO-97
frequency range	1,0 ~ 50,0 MHz
frequency stability at -20° ~ + 70°C at -40° ~ + 85°C at -40° ~ +105°C	± 50 ppm ± 100 ppm ± 120 ppm
operating temperature	standard -20° ~ + 70°C available -40° ~ + 85°C (=KXO-97T) available -40° ~ +105°C (=KXO-97E)
storage temperature	-40° ~ +85°C
symmetry	50% ± 10% at 1,4V DC level or ½ V _{DD} level
rise & fall time max.	TTL: 6 ns / HCMOS: 10 ns
"O" level max.	TTL: + 0,4V / HCMOS: + 0,5V
"1" level min.	TTL: +2,4 V / HCMOS: V _{DD} -0,5V
input voltage V _{DD}	+ 5V DC ± 10%
Input current	1,0 ~ 9,9 MHz 10 mA max. 10,0 ~ 19,9 MHz 15 mA max. 20,0 ~ 29,9 MHz 25 mA max. 30,0 ~ 50,0 MHz 35 mA max.
output load	1,0 ~ 33,0 MHz 10 TTL gates 50 pF 33,1 ~ 50,0 MHz 5 TTL gates 30 pF
start up time max.	10 ms
tristate function	yes
disable delay time	100 ns max.
enable delay time	4 ms max.
random jitter	7ps max.
peak to peak jitter	40ps max.
contents of reel	1000 pcs.
part no.	12.xxxxx

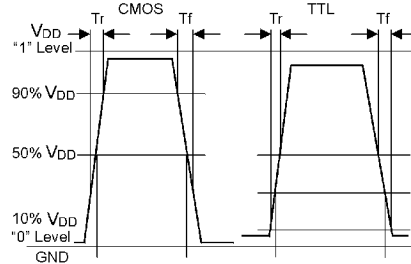
Dimensions (mm):



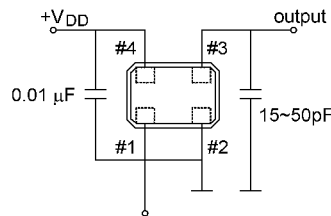
PIN	CONNECTION
1	"L" (OV) "H" or OPEN
2	GND
3	Z OUTPUT
4	V _{DD}

Z: high impedance

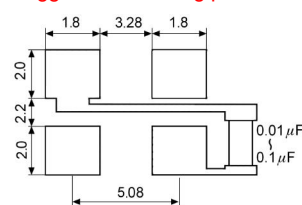
Output waveform:



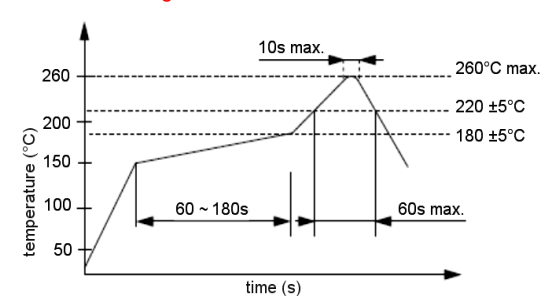
Test circuit:



Suggested soldering pad:



Reflow soldering condition:



Tape specifications:

