

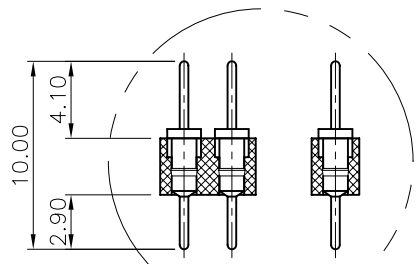
REV.	DESCRIPTION	DRAWN	CHECKED	APPROVED
A	NEW RELEASE	LJH 03/30/06'	~	LJC 03/30/06'
B	整理图纸	YCH 10/18/10'	~	

NOTES:

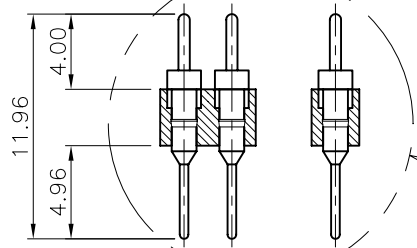
- ELECTRICAL CHARACTERISTICS:
  - CONTACT RESISTANCE: 20mΩ Max. INITIAL.
  - DIELECTRIC WITHSTANDING VOLTAGE: 500V AC(rms) FOR 1 MINUTE.
  - INSULATION RESISTANCE: 1000MΩ Min.
- ENVIRONMENT CHARACTERISTICS:
  - TEMPERATURE: -40°C~+105°C.
- PART NUMBER: DS1004
- PRODUCT NUMBER CODE:

DS1004 - X X X

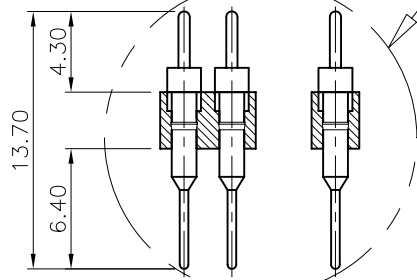
- CONTACT TYPE  
1: TYPE 1 3: TYPE 3  
2: TYPE 2 4: TYPE 4
- CONTACT PLATING  
F1: Full GOLD FLASH
- No.OF CONTACTS  
1\*1 - 1\*40  
2\*1 - 2\*40



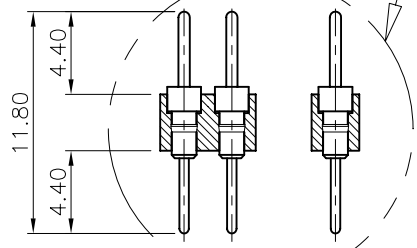
TYPE 1



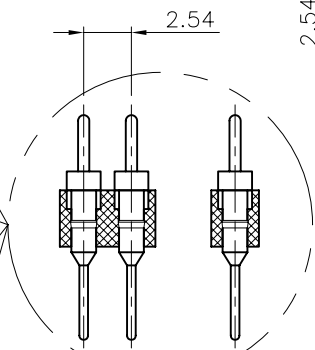
TYPE 2



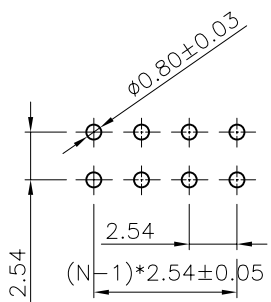
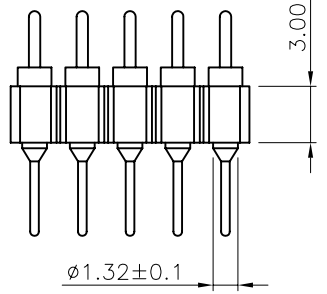
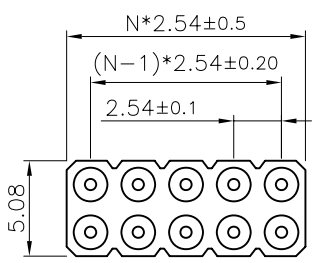
TYPE 3



TYPE 4

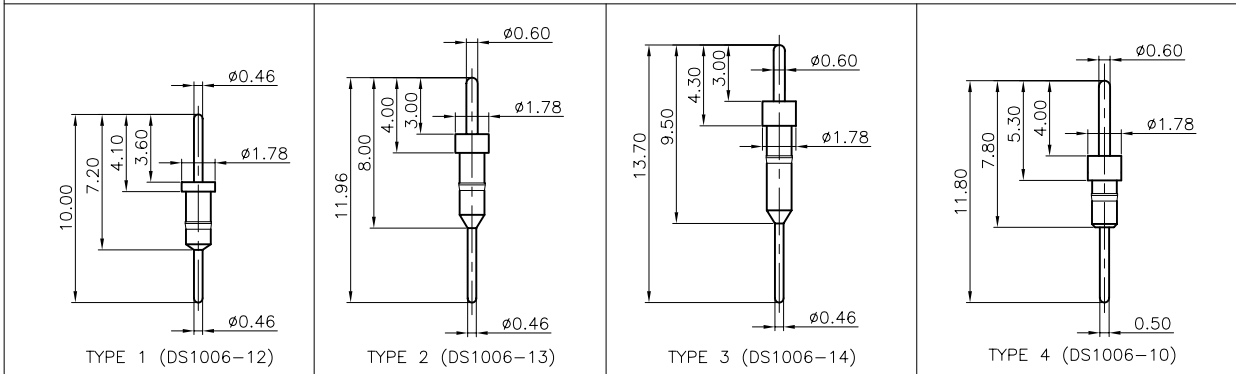


DUAL ROW SINGLE ROW



RECOMMEND PCB LAYOUT (TOLERANCE=±0.05)

TYPE1/2/3/4 DIA. (TOLERANCE=±0.05)



GENERAL TOLERANCE		ANGLE TOLERANCE		PROJECTION	TITLE	DIP STRIP ADAPTER PITCH 2.54mm	
X.	±0.60	X.	±5°	UNITS		mm	SHEET SIZE
.X	±0.38	.X	±3°	SHEET SIZE	A4	SERIES	DS1004 SERIES
.XX	±0.25	.XX	±2°	<b>晨翔电子有限公司</b> <b>CONNFLY CONNFLY ELECTRONIC CO. LTD</b>			
DRAWING TYPE		CUSTOMER					
SCALE	1:1	SHEET	10F1				
DRAWING NO.		C-DS1004-XXX					