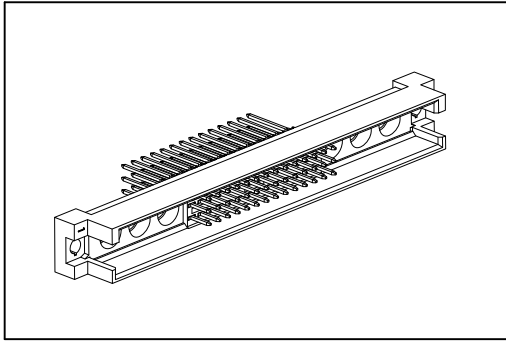


9001 Series

DIN41612 M Type Male



Material:

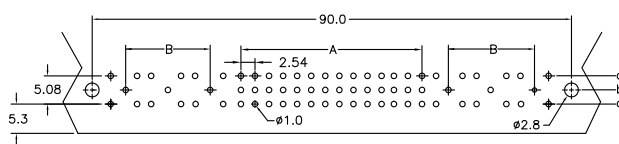
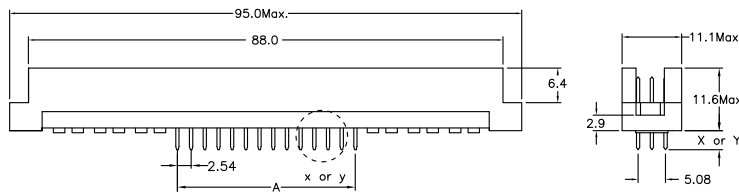
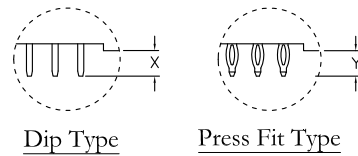
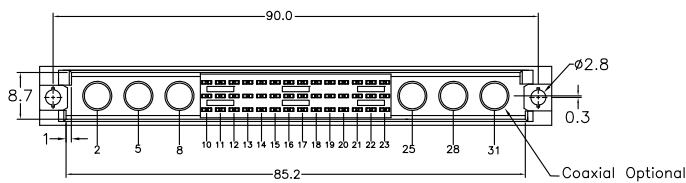
Housing: Thermoplastic Polyester Glass Filled UL94V-0.
Contacts: Copper Alloy.

Electrical Characteristics:

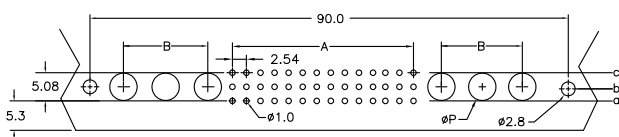
Current Rating: 2 A.
Dielectric Withstanding Voltage: AC 1000V.
Insulator Resistance: 1000MΩ min.
Contact Resistance: 20mΩ max.
Operating Temperature: -55°C ~ +125°C.

Features:

* Mates with Female 9001-92
9001-94



P.C. Board Layout (Coaxial)



P.C. Board Layout (Power)

Current Rating(A)	10A	20A	30A	40A
Dimension(φP)	2.10	3.25	3.57	4.15
Length	1	2	W1	W2
X	4.0	2.5	13	17
Y	4.6	6.3	13	17
Dimension				
A	(2.54 x No of Contact)/3-2.54			
B	(7.62 x No of Coaxial)/2-7.62			
Pitch	Position	Rows with Contacts	Contact Arrange	with Coaxial Or Power
2.54mm	78	a b c	c- b- a- 4 5 6 7	2 Pcs
	60	a b c	c- b- a- 7 8 9 10	4 Pcs
	42	a b c	c- b- a- 10 11 12 13	6 Pcs
	24	a b c	c- b- a- 13 14 15 16	8 Pcs
	6	a b c	c- b- a- 16 17 18 19	10 Pcs
	52	a - c	c- a- 4 5 6 7	2 Pcs
	40	a - c	c- a- 7 8 9 10	4 Pcs
	28	a - c	c- a- 10 11 12 13	6 Pcs
	16	a - c	c- a- 13 14 15 16	8 Pcs
	4	a - c	c- a- 16 17 18 19	10 Pcs

Ordering information

9001- 9 3 42 06 1 C 00 D A
 Series 3: Male Position 02: With 2 Coaxial or Power 1: Dip Length C: Selective Gold 00: G/F D: Dip Type A: Tray
 04: With 4 Coaxial or Power 2: Dip Length Plated 00: G/F P: Press Fit Type Package
 06: With 6 Coaxial or Power W1: Dip Length
 08: With 8 Coaxial or Power W2: Dip Length
 10: With 10 Coaxial or Power

* The Special Contacts Must be Ordered Separately, Pls Refer to Page CC03.