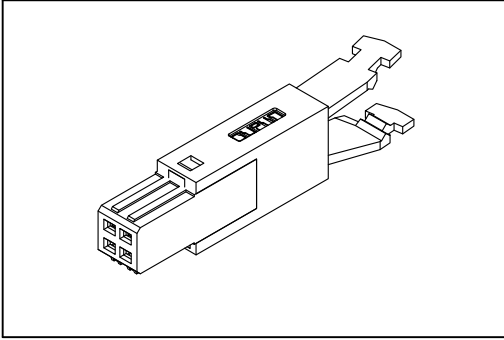


# 9001 Series

## 2.54mm(0.100") Female Cable Connector IDC Type



### Material:

Housing: Thermoplastic Polyester Glass Filled UL94V-0.

Contacts: Copper Alloy.

### Electrical Characteristics:

Current Rating: 2 A.

Dielectric Withstanding Voltage: AC 1000V.

Insulator Resistance: 1000M $\Omega$  min.

Contact Resistance: 20m $\Omega$  max.

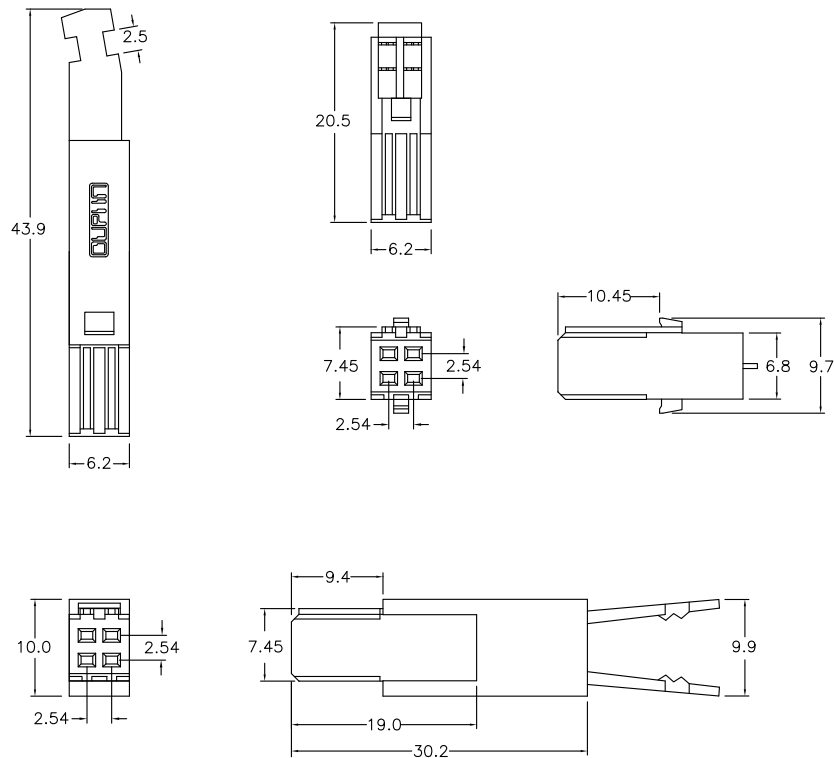
Operating Temperature: -55°C ~+125°C.

### Features:

\*Wire Size

G1: AWG 24 Cable (Body Color Grey).

G2: AWG 30 Cable (Body Color White).



## Ordering information

<u>9001-</u>	<u>8</u>	<u>2</u>	<u>04</u>	<u>C</u>	<u>10</u>	<u>G1</u>	<u>A</u>
Series	8: Female 2.54mm	2: I.D.C. Type	Position	C: Selective Gold Plated	10: 10 $\mu$ "	See Above Wire Size	A: Tray Package