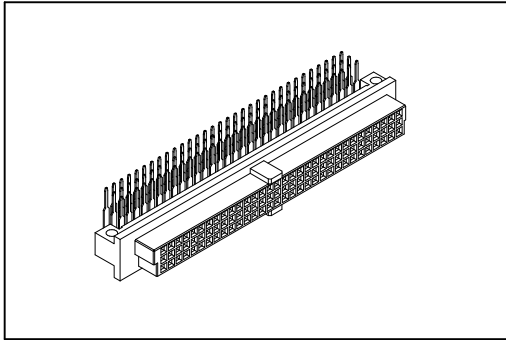


9001-B Series

DIN41612 R Type Female

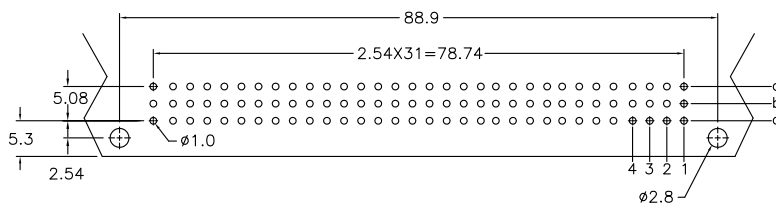
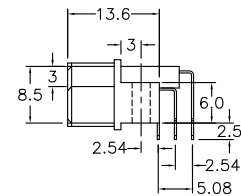
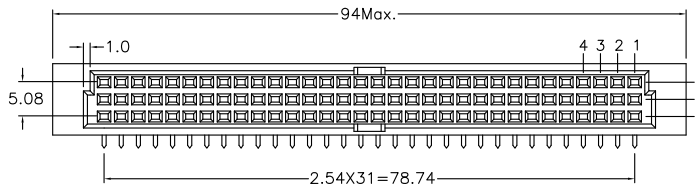
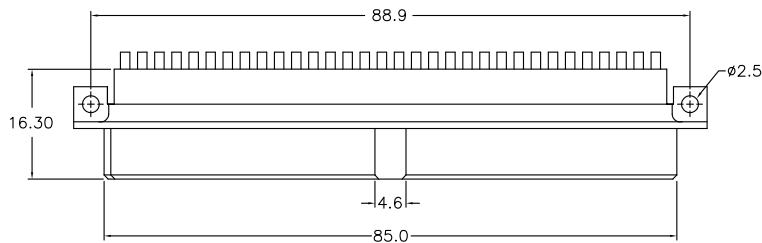


Material:

Housing: Thermoplastic Polyester Glass Filled UL94V-0.
 Contacts: Copper Alloy.

Electrical Characteristics:

Current Rating: 2 A.
 Dielectric Withstanding Voltage: AC 1000V.
 Insulator Resistance: 1000MΩ min.
 Contact Resistance: 20mΩ max.
 Operating Temperature: -55°C ~+125°C.



P.C. Board Layout

Pitch	Position	Rows with Contacts	Contact Arrange
2.54mm	96	a b c	 4 3 2 1
	64	a - c	 4 3 2 1

Ordering information

9001-B **1** **4** **96** **1** **C** **00** **/ H** **A**
 Series 1: 2.54mm 4: Female Position 1: Dip Length C: Selective Gold Plated 00: G/F H: Polarizing Key A: Tray Package