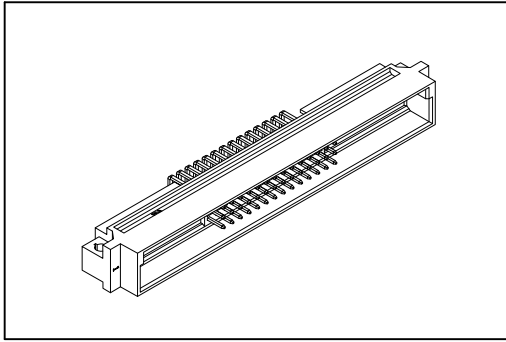


9001 Series

DIN41612 M Type Male



Material:

Housing: Thermoplastic Polyester Glass Filled UL94V-0.

Contacts: Copper Alloy.

Electrical Characteristics:

Current Rating: 2 A.

Dielectric Withstanding Voltage: AC 1000V.

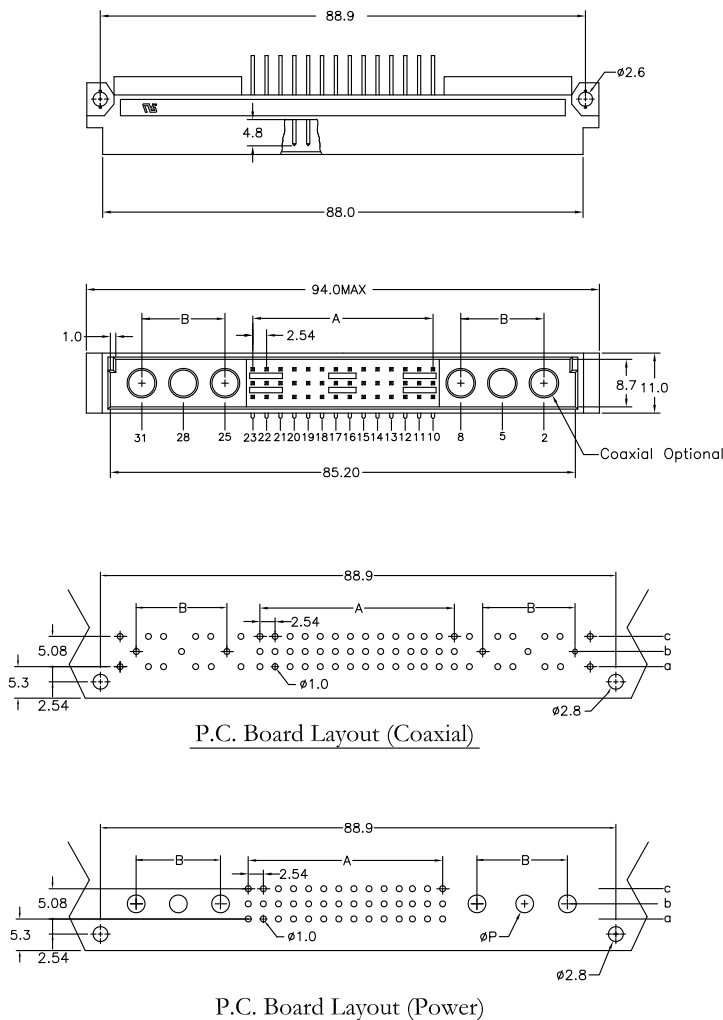
Insulator Resistance: 1000MΩ min.

Contact Resistance: 20mΩ max.

Operating Temperature: -55°C ~ +125°C.

Features:

- * Mates with Female 9001-92
9001-94



Current Rating(A)	10A	20A	30A	40A
Dimension(øP)	2.10	3.25	3.57	4.15
Dimension				
A	(2.54 x No of Contact)/3-2.54			
B	(7.62 x No of Coaxial)/2-7.62			
Pitch	Position	Rows with Contacts	Contact Arrange	with Coaxial Or Power
2.54mm	78	a b c	7 6 5 4	2 Pcs
	60	a b c	10 9 8 7	4 Pcs
	42	a b c	13 12 11 10	6 Pcs
	24	a b c	16 15 14 13	8 Pcs
	6	a b c	19 18 17 16	10 Pcs
	52	a - c	7 6 5 4	2 Pcs
	40	a - c	10 9 8 7	4 Pcs
	28	a - c	13 12 11 10	6 Pcs
	16	a - c	16 15 14 13	8 Pcs
	4	a - c	19 18 17 16	10 Pcs

Ordering information

9001- 9 1 42 06 C 00 D A
 Series 1: Male Position 02: With 2 Coaxial or Power C: Selective Gold 00: G/F D: Dip Type A: Tray Package
 04: With 4 Coaxial or Power Plated
 06: With 6 Coaxial or Power
 08: With 8 Coaxial or Power
 10: With 10 Coaxial or Power

* The Special Contacts Must be Ordered Separately, Pls Refer to Page CC03.