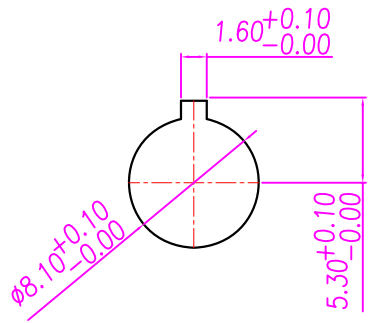


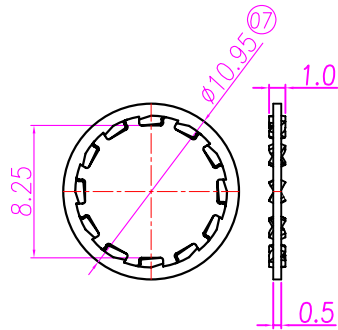
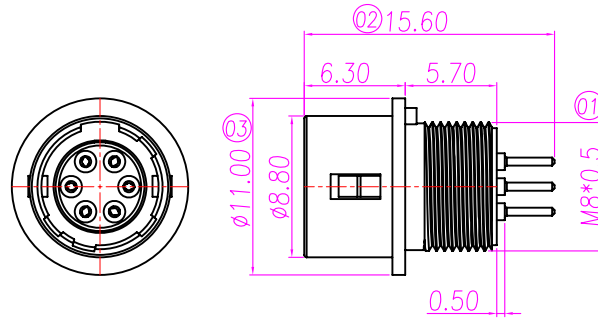
This document is the property of Nian-Yeong Corporation and is delivered on the express condition that it is not to be disclosed, reproduced or used, in whole or in part, for manufacture or sale by anyone other than Nian-Yeong Corporation without its prior consent, and that no right is granted to disclose or to use any information in this document.

CUSTOMER DRAWING

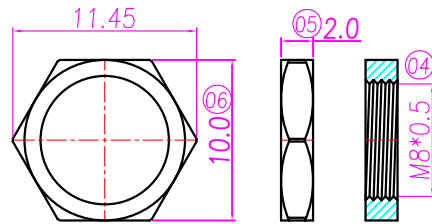
REV.	DESCRIPTION	APPROVED BY	DATE	ECN NO.
A	RELEASE	Emily Suen	22/11/11'	
B				
C				
D				



RECOMMENDED MOUNTING HOLE
(Panel thickness 0.7~2)



WASHER



NUT

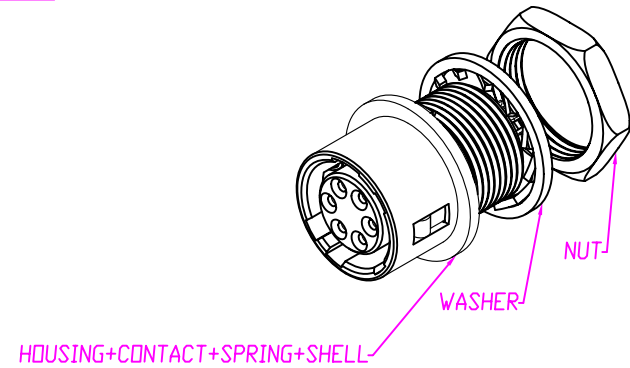


TABLE A

- | | |
|---|---------------------------|
| 1. MATERIAL : | 2. FINISH : |
| 1-1. HOUSING : NYLON46 UL94V-0; COLOR : BLACK | 2-1. CONTACT : GOLD FLASH |
| 1-2. CONTACT : BRASS | 2-2. SHELL : NICKEL |
| 1-3. SHELL : ZINC ALLOY | 2-3. WASHER : NICKEL |
| 1-4. SPRING : STAINLESS STEEL | 2-4. NUT : NICKEL |
| 1-5. WASHER : PHOSPHOR BRONZE | |
| 1-6. NUT : BRASS | |

CONTACT ARRANGEMENT(FRONT VIEW)			
DI-04F3-02	DI-05F3-01	DI-06F3-02	DI-07F3-01

DRAWN	Ku Chou	APPVL	Emily Suen	UNIT	mm	TOLERANCE			TITLE	DIN (F) RECEPTACLE 圆形/扁形(SHELL SIZE 7mm)			SHEET
CHK'D	Emily Suen			SCALE	1:1	.x ±0.20 .xx ±0.10 .xxx ±0.05 .xxxx ±0.03 ANGULA ±1°			PART NO.	SEE TABLE A	DWG NO.	QC5669	VERSION