

This document is the property of Nian-Yeong Corporation and is delivered on the express condition that it is not to be disclosed, reproduced or used, in whole or in part, for manufacture or sale by anyone other than Nian-Yeong Corporation without its prior consent, and that no right is granted to disclose or to use any information in this document.

CUSTOMER DRAWING

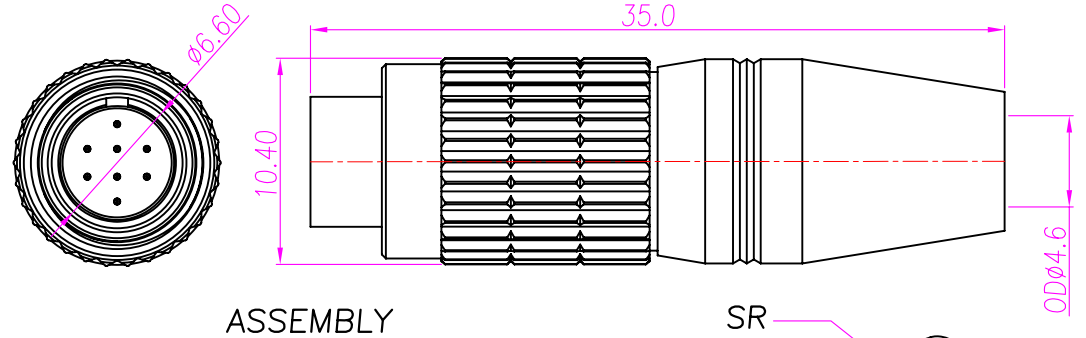
REV.	DESCRIPTION	APPROVED BY	DATE	ECN NO.
A	PRELIMINARY RELEASE	Fido Weng	22/04/10*	
B	ADD SR & MODIFY ASSEMBLY DRAWING	Fido Weng	17/05/10*	ECN0048
C				

1. MATERIAL :

- 1-1. HOUSING : NYLON 46 UL94V-0 ; COLOR : BLACK
- 1-2. CONTACT : BRASS
- 1-3. SHELL A : ZINC ALLOY
- 1-4. SHELL B : BRASS
- 1-5. SHELL C : BRASS
- 1-6. O-RING A : EPDM ; COLOR : BLACK
- 1-7. O-RING B : NBR ; COLOR : BLACK
- 1-8. SPRING : STAINLESS
- 1-9. SCREW : ALLOY STEEL
- 1-10. SR : TPR

2. FINISH :

- 2-1. CONTACT A : 10 MICRO INCHES MIN. GOLD PLATED
- 2-2. SHELL A : NICKEL PLATED 60u" ~ 100u" OVER ALL
- 2-3. SHELL B : NICKEL PLATED 60u" ~ 100u" OVER ALL
- 2-3. SHELL C : NICKEL PLATED 60u" ~ 100u" OVER ALL

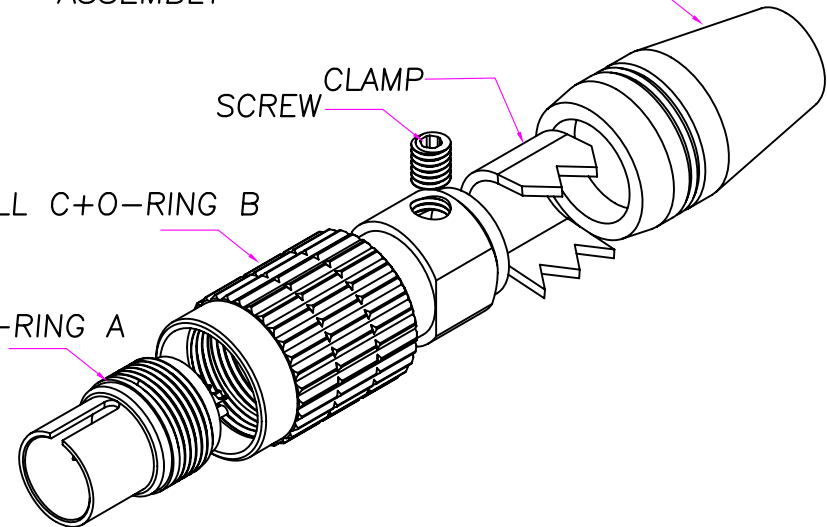


ASSEMBLY

SR

SHELL B+SHELL C+O-RING B

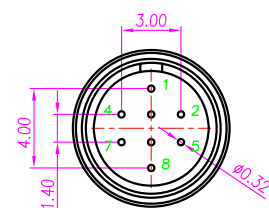
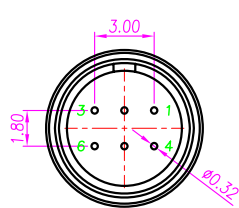
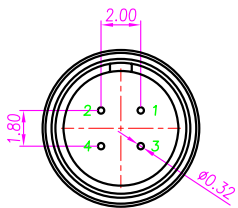
HOUSING+CONTACT+SHELL A+O-RING A



DI-04M2-02(4P)

DI-06M2-01(6P)

DI-08M2-04(8P)
DI-08M2-11-11(8P)



DRAWN	Jen Xie	APP'D	Fido Weng	UNIT	mm	TOLERANCE	.x ±0.20 .xx ±0.10 .xxx ±0.05 .xxxx ±0.03 ANGULA ±1°	TITLE	防水噴 M8*0.5 8PIN(M) 線端	SHEET	1/2
CHK'D	Emily Suen	SCALE	1:1	SCALE	1:1	ANGULA	±1°	PART NO.	SEE TABLE	DWG NO.	QC4762
 NIAN YEONG ENTERPRISE CO., LTD.								VERSION C			