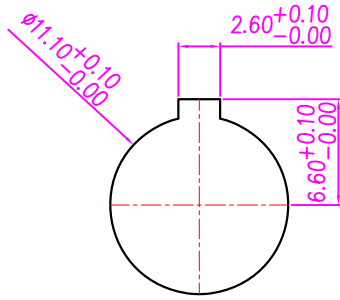


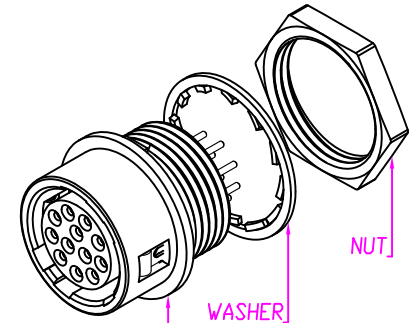
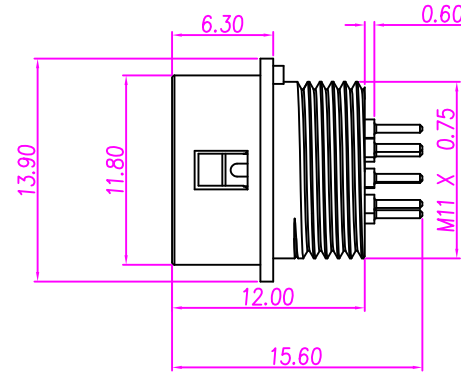
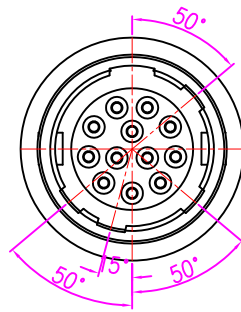
This document is the property of Nian-Yeong Corporation and is delivered on the express condition that it is not to be disclosed, reproduced or used, in whole or in part, for manufacture or sale by anyone other than Nian-Yeong Corporation without its prior consent, and that no right is granted to disclose or to use any information in this document.

CUSTOMER DRAWING

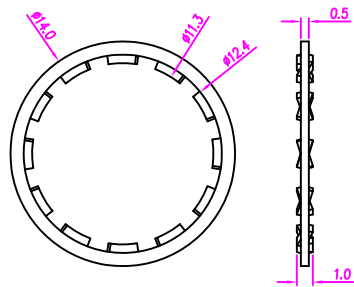
REV.	DESCRIPTION	APPROVED BY	DATE	ECN NO.
A	RELEASE	Emily Suen	05/08/11'	
B				
C				
D				



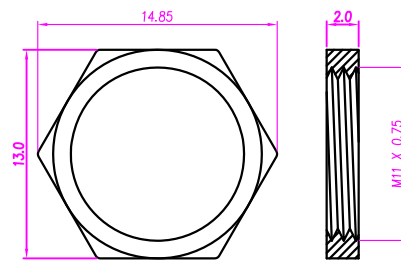
RECOMMENDED MOUNTING HOLE



HOUSING+CONTACT+SPRING+SHELL



WASHER



NUT

- | | |
|---|--|
| <p>1. MATERIAL :</p> <ul style="list-style-type: none"> 1-1. HOUSING : NYLON46 UL94V-0; COLOR : BLACK 1-2. CONTACT : BRASS 1-3. SHELL : ZINC ALLOY 1-4. SPRING : STAINLESS STEEL 1-5. WASHER : PHOSPHOR BRONZE 1-6. NUT : BRASS | <p>2. FINISH :</p> <ul style="list-style-type: none"> 2-1. CONTACT : GOLD FLASH 2-2. SHELL : NICKEL 2-3. WASHER : NICKEL 2-4. NUT : NICKEL |
|---|--|

TABLE A

CONTACT ARRANGEMENT & DIMENSIONS(FRONT VIEW)	
DI-12F3-01	DI-10F3-01

DRAWN	Ku Chou	APPVL	Emily Suen	UNIT	mm	TOLERANCE		TITLE	DIN (F)??		SHEET	
CHK'D	Emily Suen			SCALE	1:1	.x ±0.20 .xx ±0.10 .xxx ±0.05 .xxxx ±0.03 ANGULA ±1°		PART NO.	SEE TABLE A	DWG NO.	QC5484	VERSION
												A