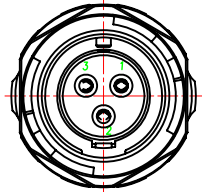
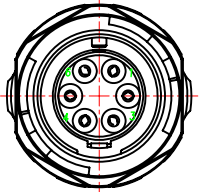


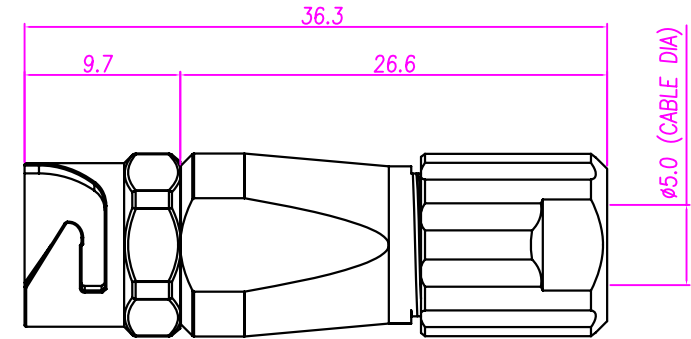
This document is the property of Nian-Yeong Corporation and is delivered on the express condition that it is not to be disclosed, reproduced or used, in whole or in part, for manufacture or sale by anyone other than Nian-Yeong Corporation without its prior consent, and that no right is granted to disclose or to use any information in this document.

# CUSTOMER DRAWING

| REV. | DESCRIPTION | APPROVED BY | DATE      | ECN NO. |
|------|-------------|-------------|-----------|---------|
| A    | RELEASE     | Emily Suen  | 25/10/11' |         |
| B    |             |             |           |         |
| C    |             |             |           |         |
| D    |             |             |           |         |

TABLE A

| CONTACT ARRANGEMENT(FRONT VIEW)   |  |
|---|--|
|  |  |
| WP-03F2-30  | WP-06F2-23   |

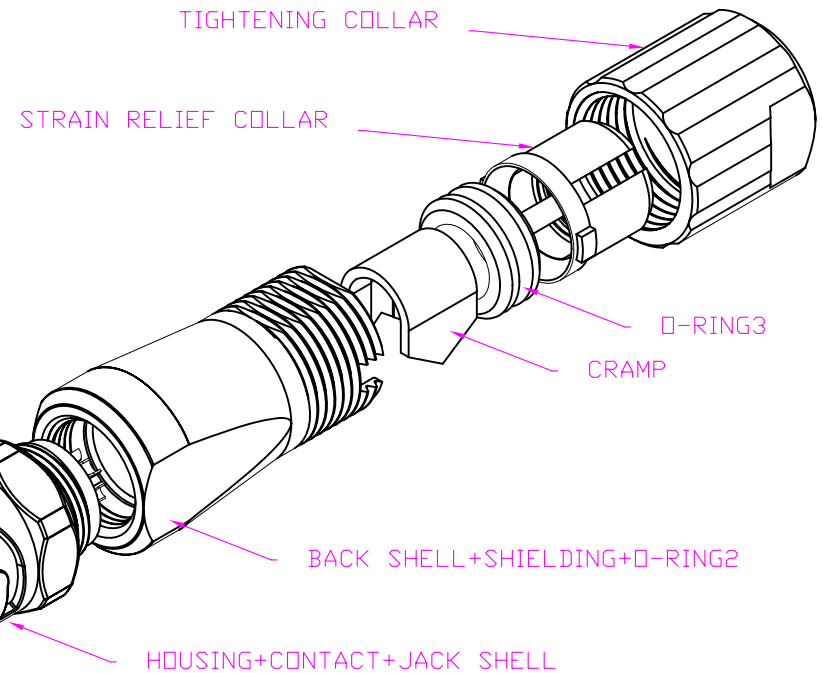


1. MATERIAL :

- 1-1. HOUSING : PPS UL94V-0  
COLOR : BLACK
- 1-2. CONTACT : PHOSPHOR BRONZEC
- 1-3. JACK SHELL : ZINC ALLOY
- 1-4. BACK SHELL : ZINC ALLOY
- 1-5. SHIELDING : PHOSPHOR BRONZE
- 1-6. O-RING 2 : EPDM
- 1-7. CLAMP : BRASS
- 1-8. O-RING 3 : NBR ; COLOR : BLACK
- 1-9. STRAIN RELIEF COLLAR : NYLON66 UL94V-0 ; COLOR : WHITE
- 1-10. TIGHTENING COLLAR : PPS ; COLOR : BROWN

2. FINISH :

- 2-1. CONTACT : GOLD FLASH
- 2-2. JACK SHELL : NICKEL
- 2-3. BACK SHELL : NICKEL
- 2-4. SHIELDING : NICKEL
- 2-5. CLAMP : NICKEL



|       |            |       |       |     |  |  |          |                             |         |        |         |
|-------|------------|-------|-------|-----|--|--|----------|-----------------------------|---------|--------|---------|
| DRAWN | Emily Suen | APPVL | UNIT  | mm  | TOLERANCE  |  | TITLE    | WP (F) 连接器 (JACK-LF07 TYPE) |         | SHEET  | 1/2     |
| CHK'D |            |       | SCALE | 1:1 | .x ±0.20<br>.xx ±0.10<br>.xxx ±0.05<br>.xxxx ±0.03<br>ANGULA ±1° |  | PART NO. | SEE TABLE A                 | DWG NO. | QC5716 | VERSION |