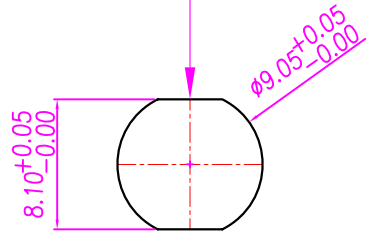


This document is the property of Nian-Yeong Corporation and is delivered on the express condition that it is not to be disclosed, reproduced or used, in whole or in part, for manufacture or sale by anyone other than Nian-Yeong Corporation without its prior consent, and that no right is granted to disclose or to use any information in this document.

CUSTOMER DRAWING

REV.	DESCRIPTION	APPROVED BY	DATE	ECN NO.
A	RELEASE	Emily Suen	25/10/11'	
B				
C				
D				

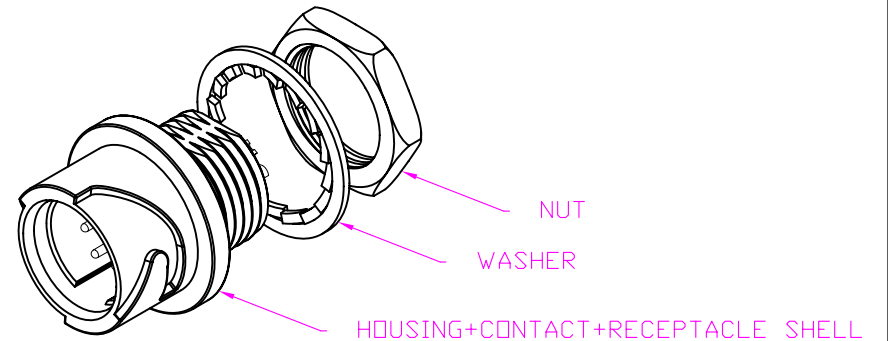
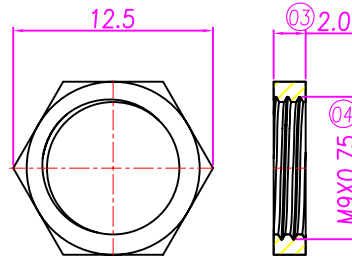
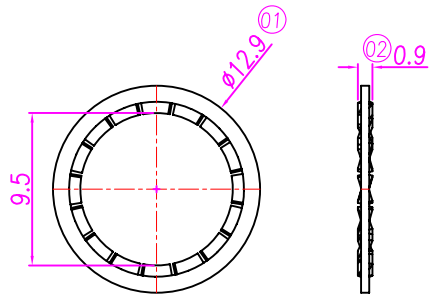
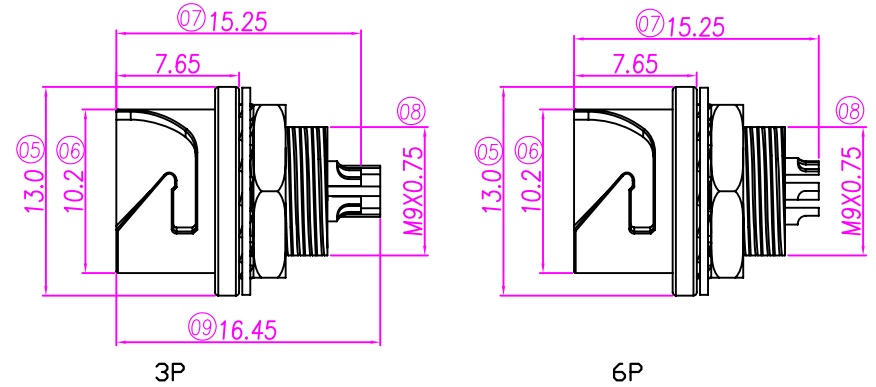
ALIGNMENT GUIDE



RECOMMENDED MOUNTING HOLE
(Panel thickness 0.7~2)

TABLE A

CONTACT ARRANGEMENT(FRONT VIEW)	
WP-03M2-30	WP-06M2-21



1. MATERIAL :

- 1-1. HOUSING : PPS UL94V-0
COLOR : BLACK
- 1-2. CONTACT : BRASS
- 1-3. RECEPTACLE SHELL : ZINC ALLOY
- 1-4. WAHSER : PHOSPHOR BRONZEC
- 1-5. NUT : BRASS
- 1-6. O-RING : EPDM ; COLOR : BLACK.

2. FINISH :

- 2-1. CONTACT : GOLD FLASH
- 2-2. RECEPTACLE SHELL : NICKEL
- 2-3. WAHSER : NICKEL
- 2-4. NUT : NICKEL

DRAWN	Emily Suen	APPVL		UNIT	mm	TOLERANCE		TITLE	WP (M) 插接式 (RECEPTACLE-LF07 TYPE)			SHEET	
CHK'D				SCALE	1:1	.x ±0.20 .xx ±0.10 .xxx ±0.05 .xxxx ±0.03 ANGULA ±1°		ENTERPRISE CO., LTD.	PART NO.	SEE TABLE A	DWG NO.	QC5717	