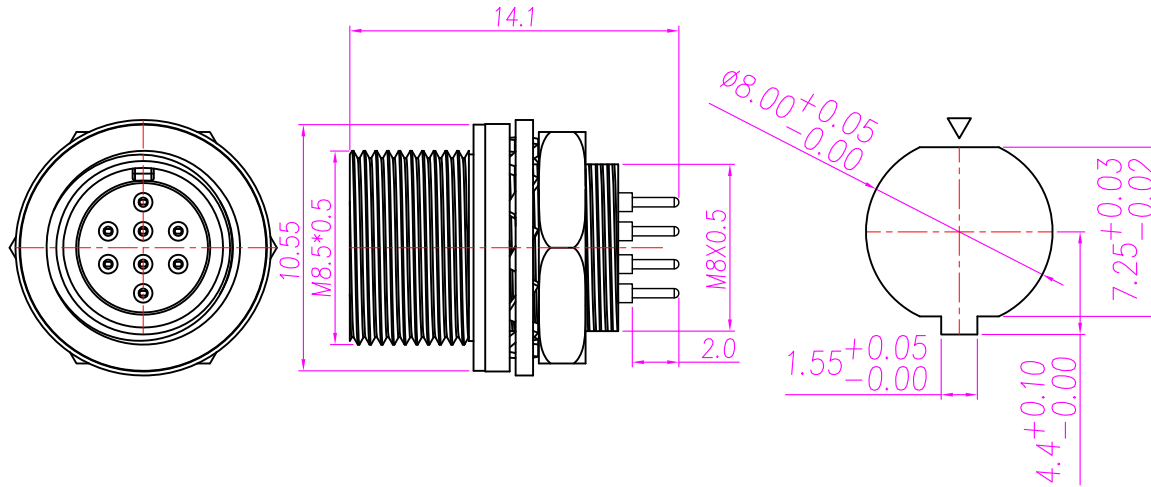


This document is the property of Nian-Yeong Corporation and is delivered on the express condition that it is not to be disclosed, reproduced or used, in whole or in part, for manufacture or sale by anyone other than Nian-Yeong Corporation without its prior consent, and that no right is granted to disclose or to use any information in this document.

CUSTOMER DRAWING

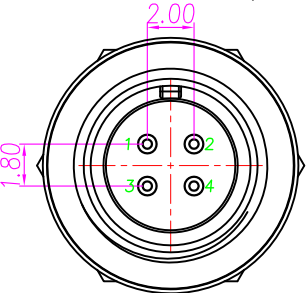
REV.	DESCRIPTION	APPROVED BY	DATE	ECN NO.
A	RELEASE	Emily Suen	30/12/11*	
B				
C				



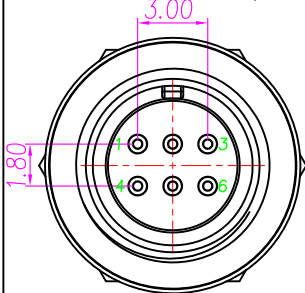
RECOMMEND PANEL CUT-OUT

- MATERIAL :
 - 1-1. HOUSING : NYLON 46 ; COLOR : BLACK
 - 1-2. CONTACT : BRASS
 - 1-3. SHELL : Zinc Alloy
 - 1-4. O-RING : EPDM; COLOR : BLACK
 - 1-5. NUT : BRASS
 - 1-6. WASHER : BRASS
- FINISH :
 - 2-1. CONTACT : GOLD FLASH
 - UNDER PLATE : NICKEL
 - 2-2. SHELL : NICKEL PLATED .
 - 2-3. NUT : NICKEL PLATED.

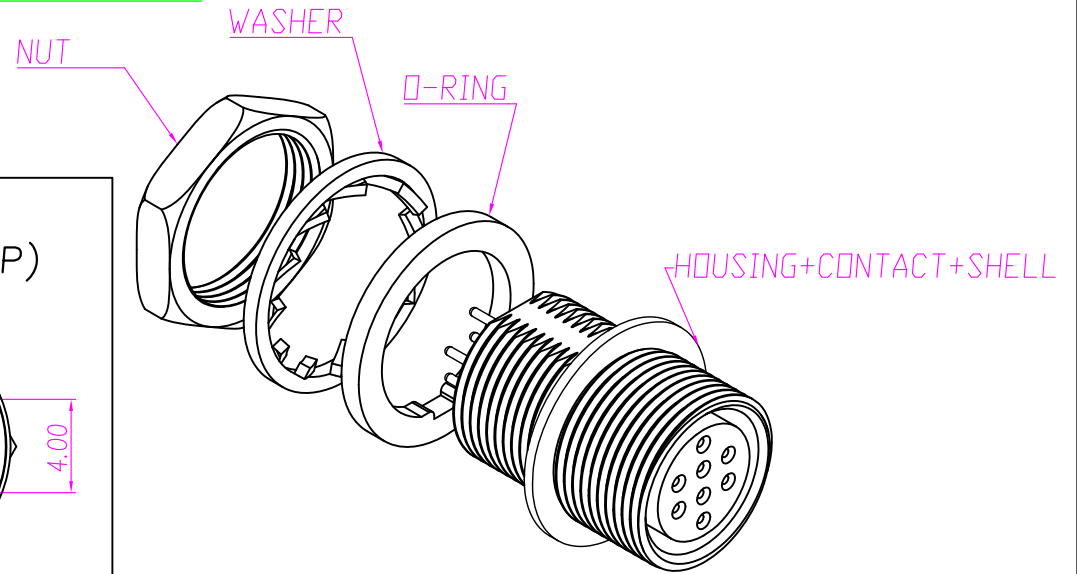
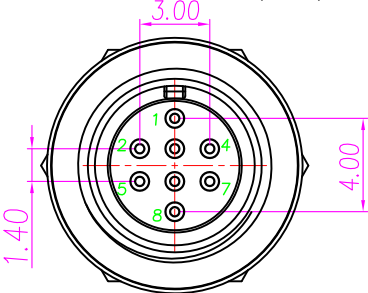
DI-04F3-01(4P)



DI-06F3-01(6P)



DI-08F3-02(8P)



DRAWN	Emily Suen	APPEND	UNIT	mm	TOLERANCE		TITLE	DIN M8*0.5 (F) ????(SHELL:RECEPTACLE)			SHEET	
CHOKED			SCALE	1:1	.x ±0.20 .xx ±0.10 .xxx ±0.05 .xxxx ±0.03 ANGULA ±1°			PART NO.	SEE TABLE	DWG NO.	QC5638	1/2
								VERSION				A