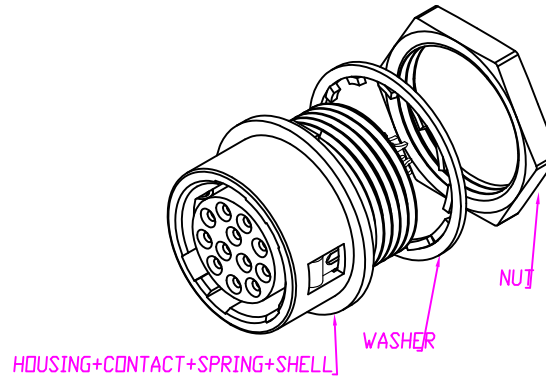
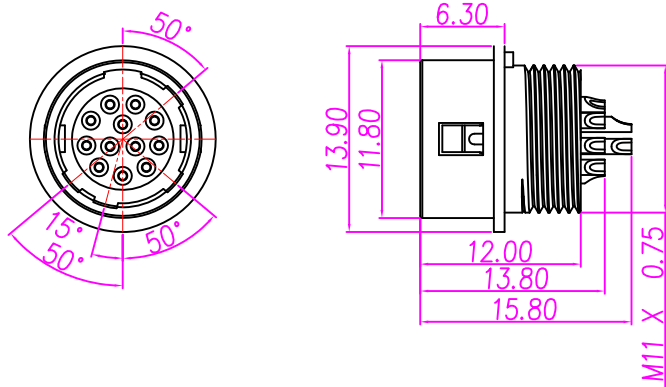


This document is the property of Nian-Yeong Corporation and is delivered on the express condition that it is not to be disclosed, reproduced or used, in whole or in part, for manufacture or sale by anyone other than Nian-Yeong Corporation without its prior consent, and that no right is granted to disclose or to use any information in this document.

# CUSTOMER DRAWING

| REV. | DESCRIPTION | APPROVED BY | DATE      | ECN NO. |
|------|-------------|-------------|-----------|---------|
| A    | RELEASE     | Emily Suen  | 05/08/11' |         |
| B    |             |             |           |         |
| C    |             |             |           |         |
| D    |             |             |           |         |

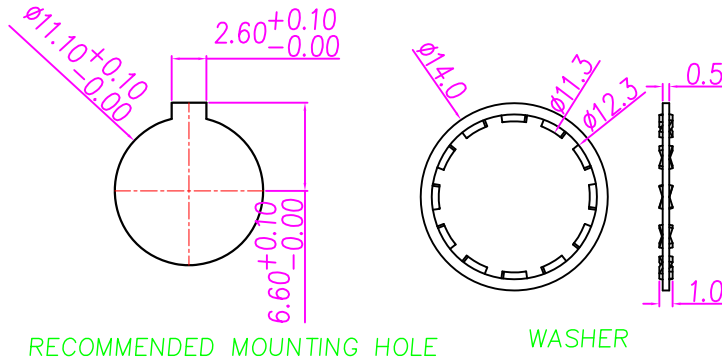


**NOTE:**

- MATERIAL :**
  - 1-1. HOUSING : NYLON46 UL94V-0; COLOR : BLACK
  - 1-2. CONTACT : BRASS
  - 1-3. SHELL : ZINC ALLOY
  - 1-4. SPRING : STAINLESS STEEL
  - 1-5. WASHER : PHOSPHOR BRONZE
  - 1-6. NUT : BRASS
- FINISH :**
  - 2-1. CONTACT : GOLD FLASH
  - 2-2. SHELL : NICKEL
  - 2-3. WASHER : NICKEL
  - 2-4. NUT : NICKEL
- ELECTRICAL SPECIFICATION :**
  - 3-1. Rated current : 2A
  - 3-2. Rated voltage : 300V
- Environmental :**
  - 4-1. Operation Temperature : -25?~85?

TABLE A

| CONTACT ARRANGEMENT & DIMENSIONS(FRONT VIEW) |            |
|--|------------|
|  |            |
| DI-12F2-02                                   | DI-10F2-03 |



|       |            |       |            |       |     |  |  |  |          |                                   |         |        |              |
|-------|------------|-------|------------|-------|-----|--|--|--|----------|-----------------------------------|---------|--------|--------------|
| DRAWN | Ku Chou    | APPVL | Emily Suen | UNIT  | mm  | TOLERANCE  |  |  | TITLE    | DIN (F)???(SHELL TYPE:RECEPTACLE) |         |        | SHEET        |
| CHK'D | Emily Suen |       |            | SCALE | 1:1 | .x ±0.20<br>.xx ±0.10<br>.xxx ±0.05<br>.xxxx ±0.03<br>ANGULA ±1° |  |  | PART NO. | SEE TABLE A                       | DWG NO. | QC5555 | VERSION<br>A |