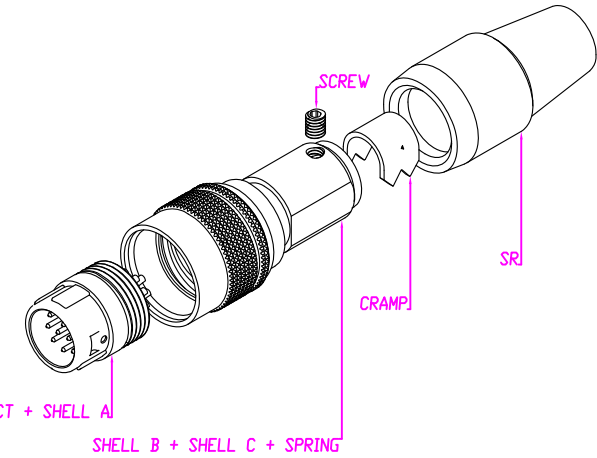
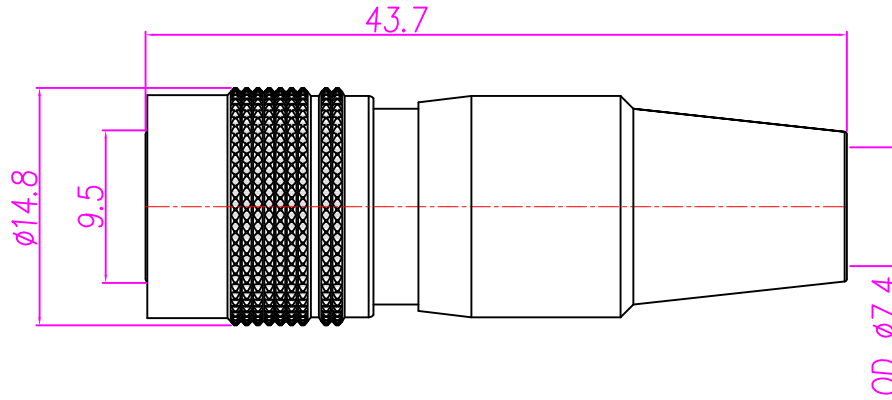


This document is the property of Nian-Yeong Corporation and is delivered on the express condition that it is not to be disclosed, reproduced or used, in whole or in part, for manufacture or sale by anyone other than Nian-Yeong Corporation without its prior consent, and that no right is granted to disclose or to use any information in this document.

CUSTOMER DRAWING

REV.	DESCRIPTION	APPROVED BY	DATE	ECN NO.
A	RELEASE	Emily Suen	22/08/11*	
B				
C				
D				



NOTE:

1. MATERIAL :
 - 1-1. HOUSING : NYLON46 UL94V-0; COLOR : BLACK
 - 1-2. CONTACT : BRASS
 - 1-3. SHELL A : ZINC ALLOY
 - 1-4. SHELL B : BRASS
 - 1-5. SHELL C : BRASS
 - 1-6. SPRING : STAINLESS STEEL
 - 1-7. SCREW : ALLOY STEEL
 - 1-8. CLAMP : BRASS
 - 1-9. SR : TPR ; COLOR : BLACK
2. FINISH :
 - 2-1. CONTACT : GOLD FLASH
 - 2-2. SHELL A : NICKEL
 - 2-3. SHELL B : SATIN NICKEL
 - 2-4. SHELL C : NICKEL
 - 2-5. SPRING : NICKEL
 - 2-6. SCREW : NICKEL
3. ELECTRICAL SPECIFICATION :
 - 3-1. Rated current : 2A
 - 3-2. Rated voltage : 300V
4. Environmental :
 - 4-1. Operation Temperature : -25°C~85°C

TABLE A

CONTACT ARRANGEMENT & DIMENSIONS(FRONT VIEW)	
DI-12M2-02	DI-10M2-02