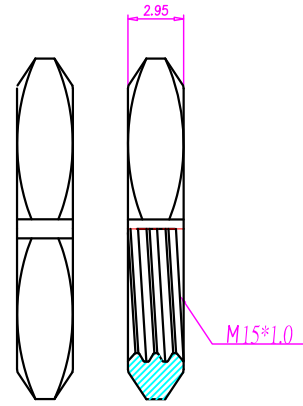
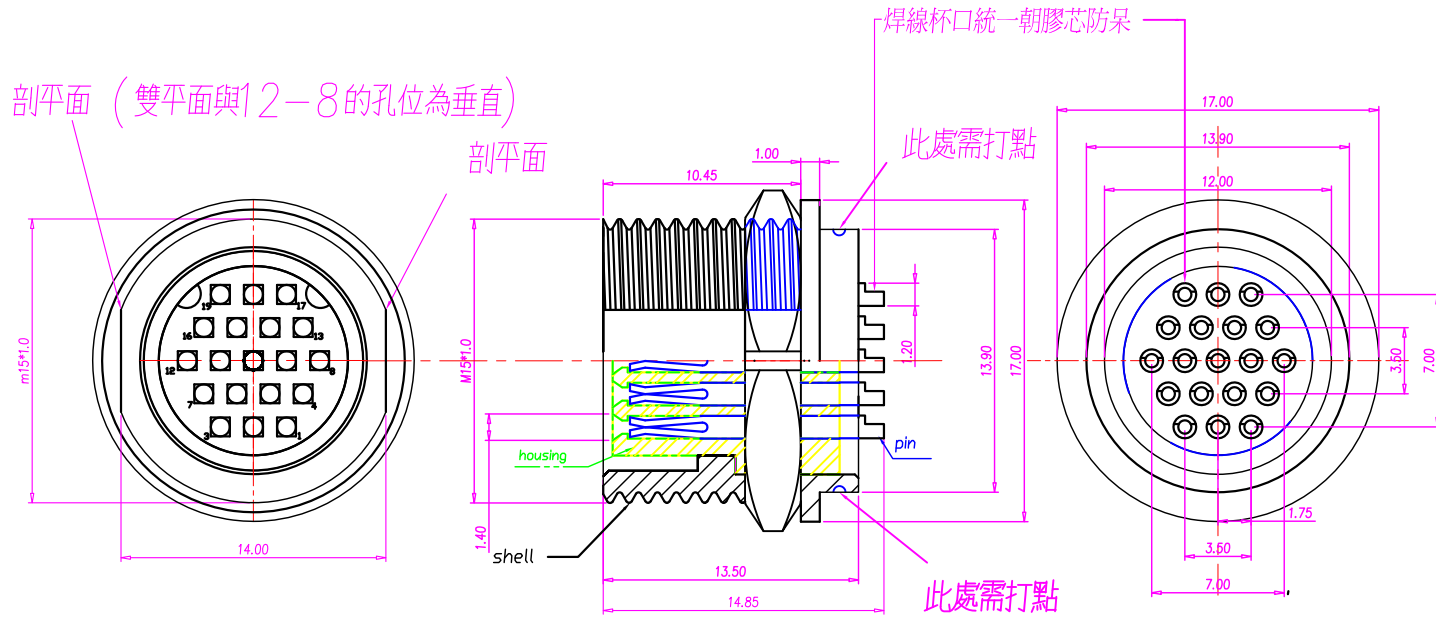


This document is the property of Nian-Yeong Corporation and is delivered on the express condition that it is not to be disclosed, reproduced or used, in whole or in part, for manufacture or sale by anyone other than Nian-Yeong Corporation without its prior consent, and that no right is granted to disclose or to use any information in this document.

# CUSTOMER DRAWING

REV.	DESCRIPTION	APPROVED BY	DATE	ECN NO.
A	RELEASE	Fido Weng	06/09/10*	ECN10091
B				
C				



1. MATERIAL :
  - 1-1. HOUSING : PBT UL94V-0 ; COLOR : BLACK
  - 1-2. CONTACT : PHOSPHOR BRONZE
  - 1-3. SHELL : BRASS
  - 1-4. NUT : BRASS
2. FINISH :
  - 2-1. CONTACT : 30 MICRO INCHES MIN. SILVER PLATED  
UNDER PLATE : NICKEL
  - 2-2. SHELL : NICKEL PLATED 60u" ~ 100u" OVER ALL
  - 2-3. NUT : NICKEL PLATED 60u" ~ 100u" OVER ALL

DRAWN	Ku Chou	APPEND	Fido Weng	UNIT	mm	TOLERANCE		TITLE	DIN 19PIN(F)???			SHEET	
CHOKED	Emily Suen			SCALE	1:1	.x ±0.20 .xx ±0.10 .xxx ±0.05 .xxxx ±0.03 ANGULA ±1°		PART NO.	DI-19F2-02	DWG NO.	QC2870	VERSION	