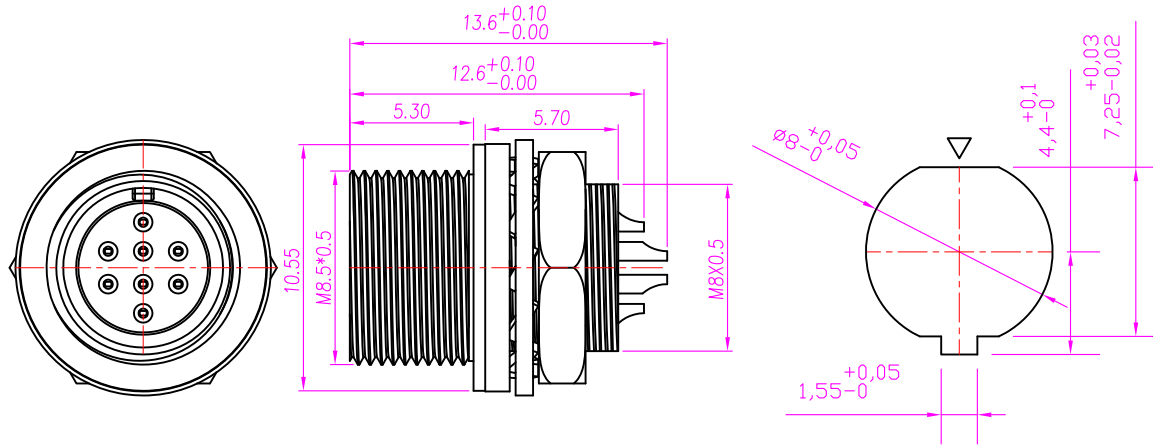


This document is the property of Nian-Yeong Corporation and is delivered on the express condition that it is not to be disclosed, reproduced or used, in whole or in part, for manufacture or sale by anyone other than Nian-Yeong Corporation without its prior consent, and that no right is granted to disclose or to use any information in this document.

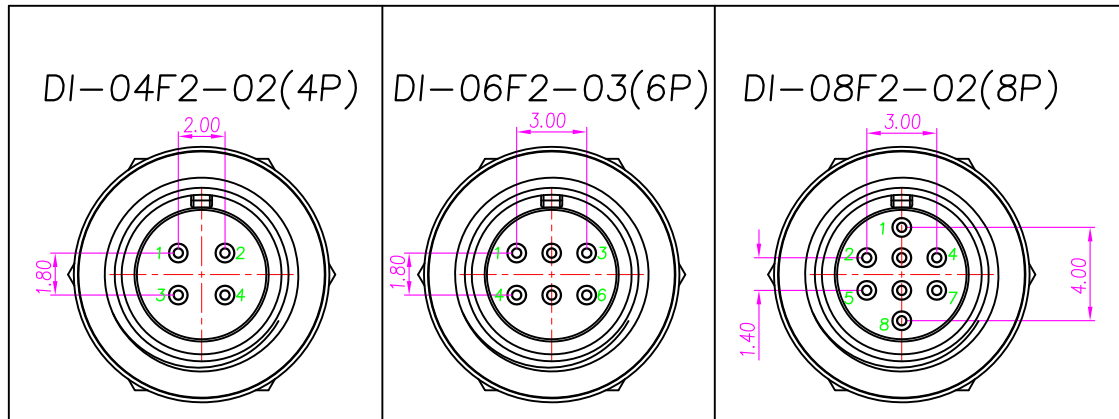
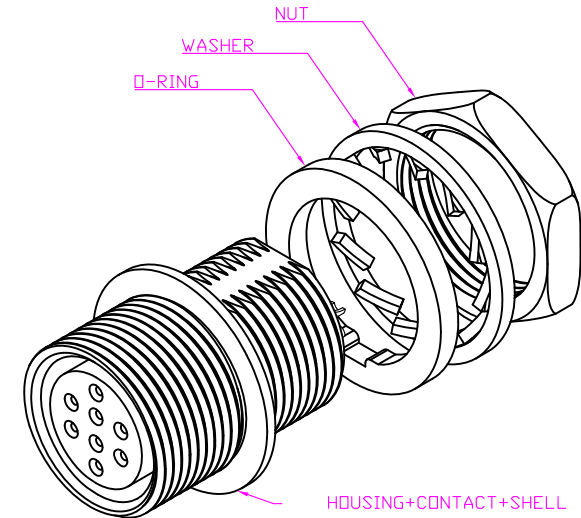
CUSTOMER DRAWING

REV.	DESCRIPTION	APPROVED BY	DATE	ECN NO.
A	RELEASE	Fido Weng	04/03/10*	
B				
C				



RECOMMEND PANEL CUT-OUT

- MATERIAL :
 - HOUSING : NYLON 46 ; COLOR : BLACK
 - CONTACT : PHOSPHOR BRONZE
 - SHELL : Zinc Alloy
 - NUT : BRASS
 - O-RING : EPDM; COLOR : BLACK
 - WASHER : BRASS
- FINISH :
 - CONTACT : GOLD 5u"
UNDER PLATE : NICKEL
 - SHELL : NICKEL PLATED .
 - NUT : NICKEL PLATED.



DRAWN	Jen Xie	APPEND	Emily Suen	UNIT	mm	TOLERANCE	.x ±0.20	.xx ±0.10	.xxx ±0.05	.xxxx ±0.03	ANGULA	±1°	TITLE	??? M8*0.5 (F) ??	SHEET	1/2		
CHOKED	Emily Suen			SCALE	1:1								PART NO.	SEE TABLE	DWG NO.	QC5174	VERSION	A