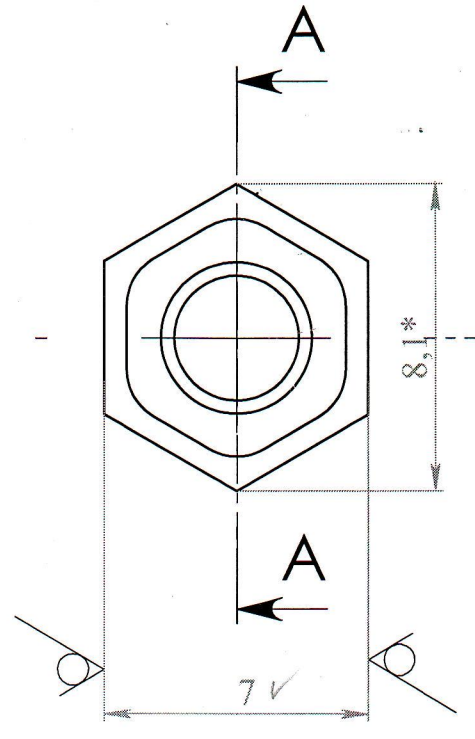
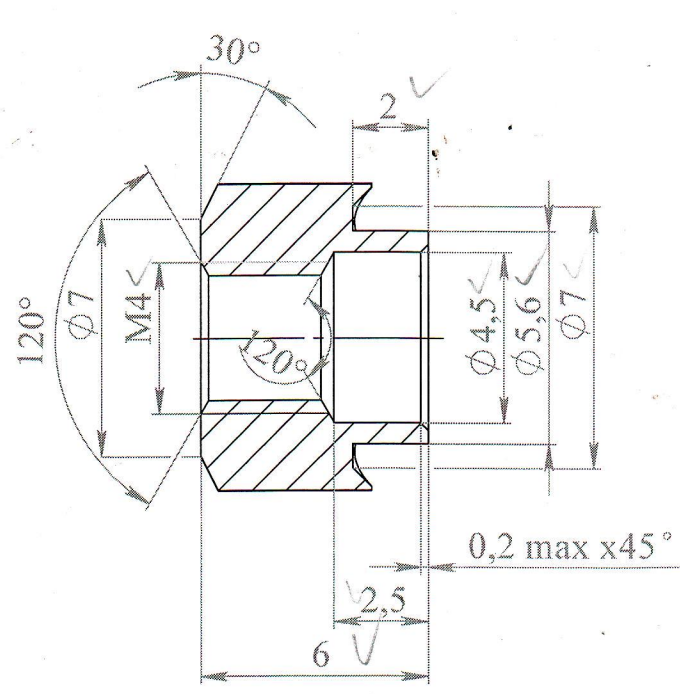


Rz40

СЕЧЕНИЕ А-А



- 1.* Размер для справок.
- 2. Покрытие: Цб.хр

UNLESS OTHERWISE SPECIFIED: DIMENSIONS ARE IN MILLIMETERS SURFACE FINISH: TOLERANCES: LINEAR: ANGULAR:			FINISH:		DEBUR AND BREAK SHARP EDGES		DO NOT SCALE DRAWING		REVISION		
							БА.8.226.324-17				
DRAWN		SIGNATURE		DATE		TITLE:					
CHK'D											
APPV'D											
MFG											
Q.A						MATERIAL: Сталь 20		DWG NO.		Втулка	
						WEIGHT:		SCALE:5:1		SHEET 1 OF 1	
										A4	