



Industrial & Electrical Components

Latching Relay

Part No.

NRL709E



- 100A switching capability.
- Low coil consumption and ultra-low temperature rise.
- Low contact resistance.
- High resistance to shocks and vibrations.
- Outline dimensions: 52.0x43.0x21.0mm.
- Custom-made busbar configuration.
- UC3 certified (IEC62055-31).

CONTACT DATA

Contact Form	1A/1B
Contact Material	AgSnO ₂
Contact Resistance	Max.: 1.0 mΩ
Contact Rating (Resistive)	100A 250VAC
Max. Switching Power	25000VA
Max. Switching Voltage	250VAC
Max. Switching Current	100A
Mechanical Life	5×10 ⁵
Electrical Life	1×10 ⁴

GENERAL DATA

Operate Time	20msec. Max.	
Break Time	20msec. Max.	
Shock Resistance	Functional	10G (100m/S ²)
	Destructive	100G (1000m/S ²)
Vibration resistance	10~55Hz 1.5mm	
Humidity	98%RH ,40°C	
Ambient temperature	-25~+70°C	
Termination	PCB	
Unit weight	Approx.75g	
Construction	Dust protected	

COIL DATA

Coil Power	Single Coil: 2.3W		
	Double Coil: 4.6W		
Pulse Duration	50ms		
Action time	< 20ms		
Nominal Voltage (VDC)	Operate Voltage U1-U2 (VDC)	Coil Resistance (Ω ±10%)	
9	7.2 - 11.7	Single Winding	Double Winding
12	9.6 - 15.6	35	18
24	19.2 - 31.2	63	31
48	38.4 - 62.4	250	125
		1002	501

INSULATION

Insulation Resistance		1000MΩ(500VDC)
Dielectric Strength	Coil & Contacts	4000VAC 1 min.
	Open Contacts	2000VAC 1 min
Creepage & clearance distance		7.4mm

ORDERING INFORMATION

NRL 709E - 12 S

① ② ③ ④

① Series: Latching Relay

② Part No.

③ Coil voltage: 12=12VDC, 24D=24VDC

④ Winding: S=Single coil; D=Double coil

DIMENSIONS

Unit: mm

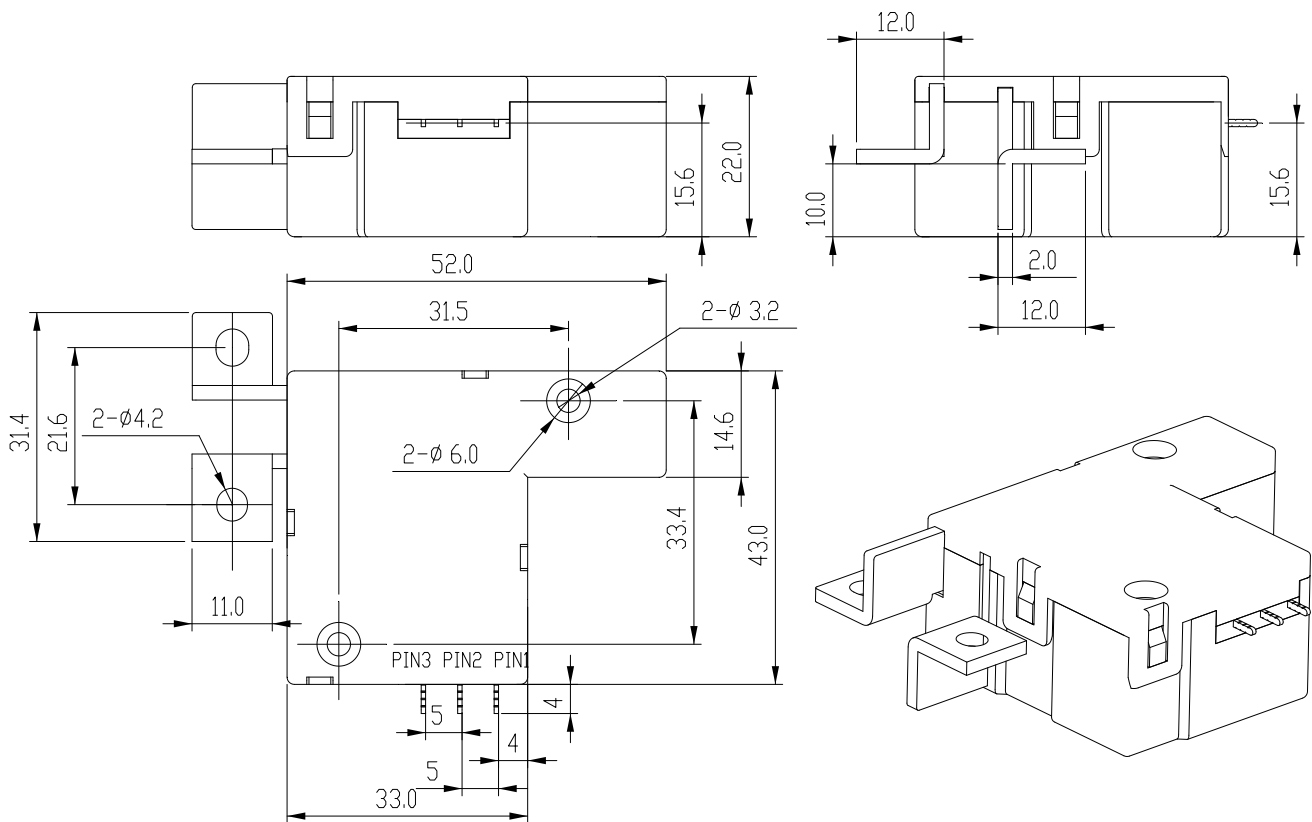


DIAGRAM SCHEMATIC

