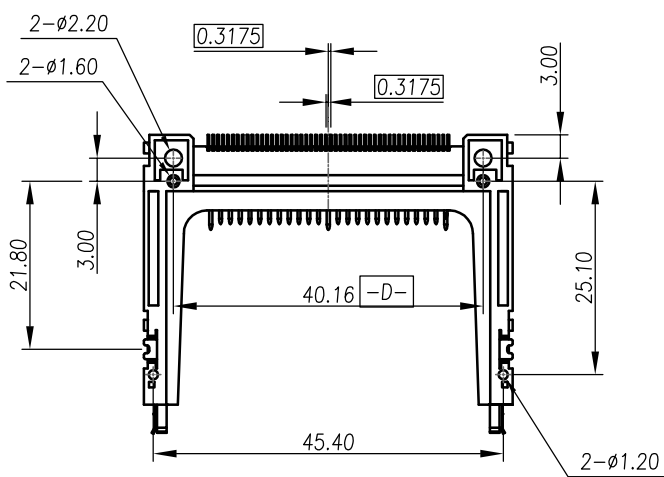


Pin Type	Interface Dim L	Pin Type	REV	MODIFICATION	DATE	DRAW
Detect	3.5 mm	25,26	D	EN-03-0407	4/4	TONY
General	4.25 mm	All Other Pins	E	EN-05-0104	1/4/2005	TONY
Power	5.0 mm	1,13,38,50	F	EN-06-0614	95/06/14	TERENCE

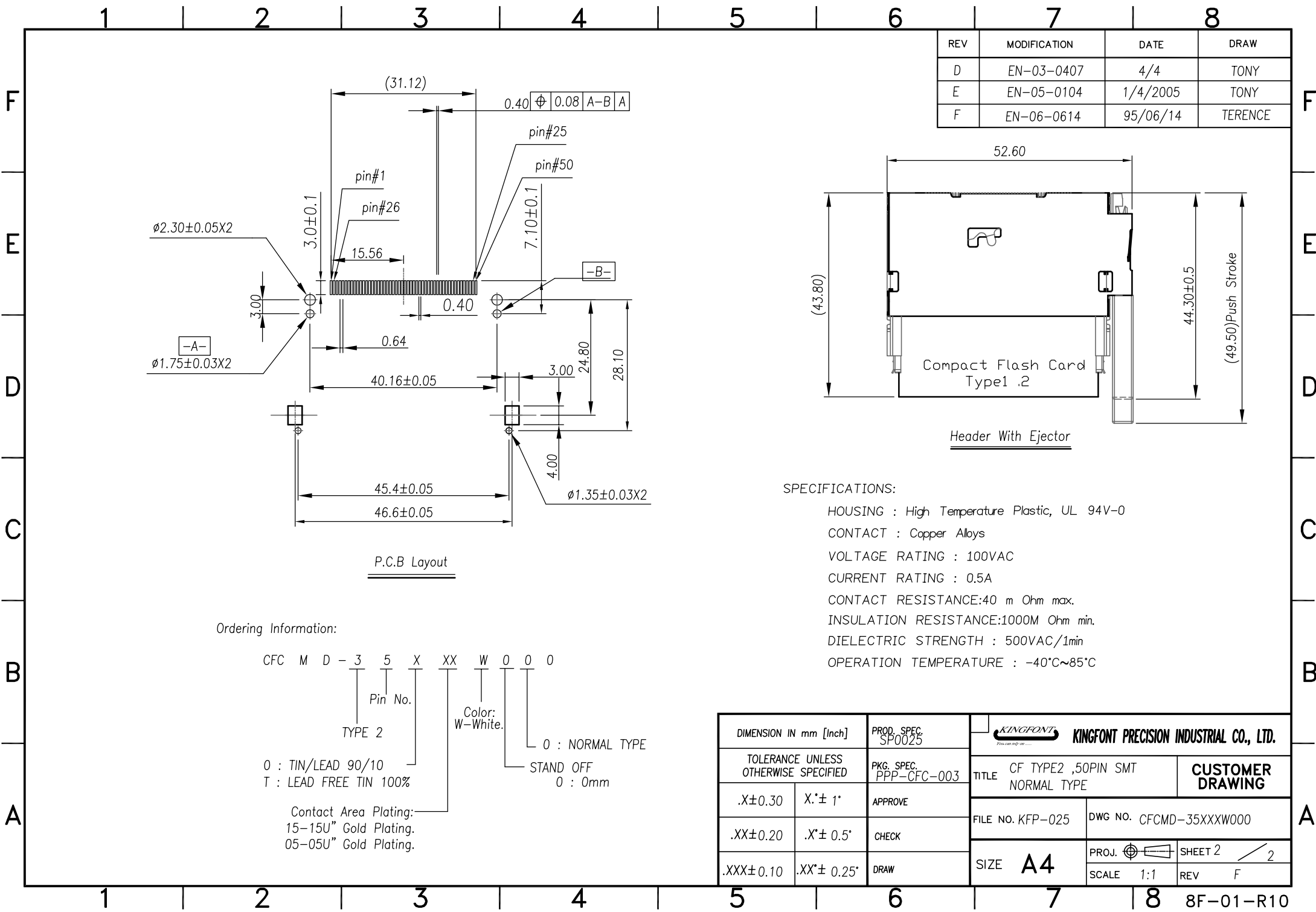


Ordering Information:

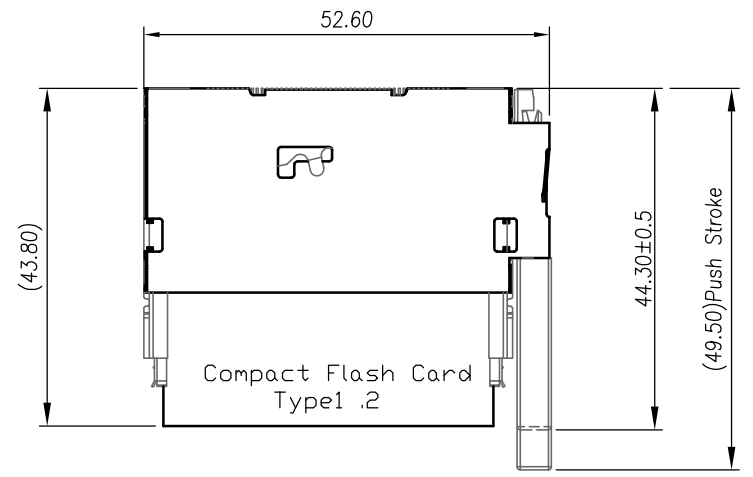
CFC M D - 3 5 X XX W 0 0 0
 Pin No. TYPE 2 Color: W-White.
 0 : TIN/LEAD 90/10
 T : LEAD FREE TIN 100%
 0 : NORMAL TYPE
 STAND OFF
 0 : 0mm

Contact Area Plating:
 15-15U" Gold Plating.
 05-05U" Gold Plating.

DIMENSION IN mm [Inch]		PROD. SPEC. SP0025	KINGFONT PRECISION INDUSTRIAL CO., LTD.	
TOLERANCE UNLESS OTHERWISE SPECIFIED		PKG. SPEC. PPP-CFC-003	TITLE CF TYPE2 ,50PIN SMT NORMAL TYPE	CUSTOMER DRAWING
.X±0.30	X.*± 1'	APPROVE	FILE NO. KFP-025	DWG NO. CFCMD-35XXXW000
.XX±0.20	.X.*± 0.5'	CHECK	SIZE A4	PROJ. SHEET 1 / 2
.XXX±0.10	.XX.*± 0.25'	DRAW	SCALE 1:1	REV F



REV	MODIFICATION	DATE	DRAW
D	EN-03-0407	4/4	TONY
E	EN-05-0104	1/4/2005	TONY
F	EN-06-0614	95/06/14	TERENCE



Header With Ejector

SPECIFICATIONS:

- HOUSING : High Temperature Plastic, UL 94V-0
- CONTACT : Copper Alloys
- VOLTAGE RATING : 100VAC
- CURRENT RATING : 0.5A
- CONTACT RESISTANCE: 40 m Ohm max.
- INSULATION RESISTANCE: 1000M Ohm min.
- DIELECTRIC STRENGTH : 500VAC/1min
- OPERATION TEMPERATURE : -40°C~85°C

Ordering Information:

CFC M D - 3 5 X XX W 0 0 0

Pin No.

Color: W-White.

0 : NORMAL TYPE

STAND OFF 0 : 0mm

TYPE 2

0 : TIN/LEAD 90/10

T : LEAD FREE TIN 100%

Contact Area Plating:
 15-15U" Gold Plating.
 05-05U" Gold Plating.

DIMENSION IN mm [Inch]		PROD. SPEC SP0025	KINGFONT PRECISION INDUSTRIAL CO., LTD.	
TOLERANCE UNLESS OTHERWISE SPECIFIED		PKG. SPEC. PPP-CFC-003	TITLE CF TYPE2 ,50PIN SMT NORMAL TYPE	
.X±0.30	X.*± 1'	APPROVE	CUSTOMER DRAWING	
.XX±0.20	.X.*± 0.5'	CHECK	FILE NO. KFP-025	DWG NO. CFCMD-35XXXW000
.XXX±0.10	.XX.*± 0.25'	DRAW	SIZE A4	PROJ. SHEET 2 / 2
			SCALE 1:1	REV F